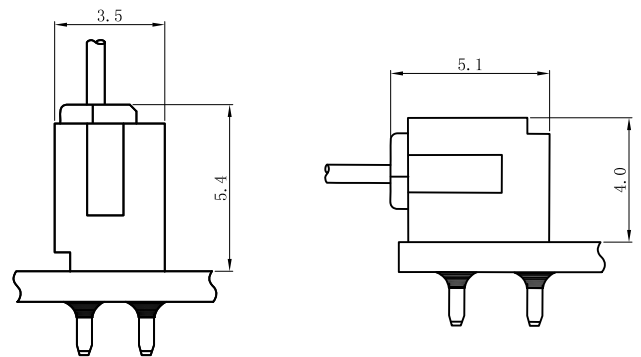


SPECIFICATIONS:

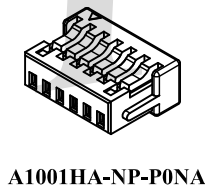
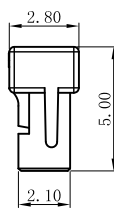
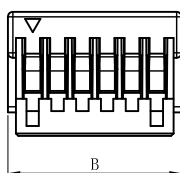
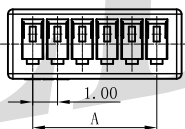
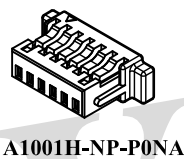
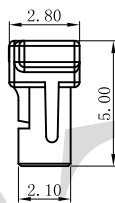
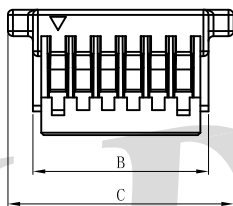
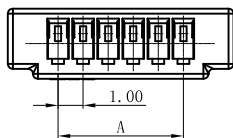
- Voltage Rating: 50V AC/DC
- Current Rating: 1A AC/DC
- Withstanding Voltage: 200V AC/Minute
- Temperature Range: -25°C~+85°C
- Insulation Resistance: 100MΩ Min.
- Contact Resistance: 20mΩ Max.
- Applicable Wire Range: AWG#28~32.

Assembly Layout:



A1001HX-NP-P0NA

1.00mm Pitch Single Row Housing



Reference Informations:

*Material:

Housing: PBT, UL94V-0/Natrual

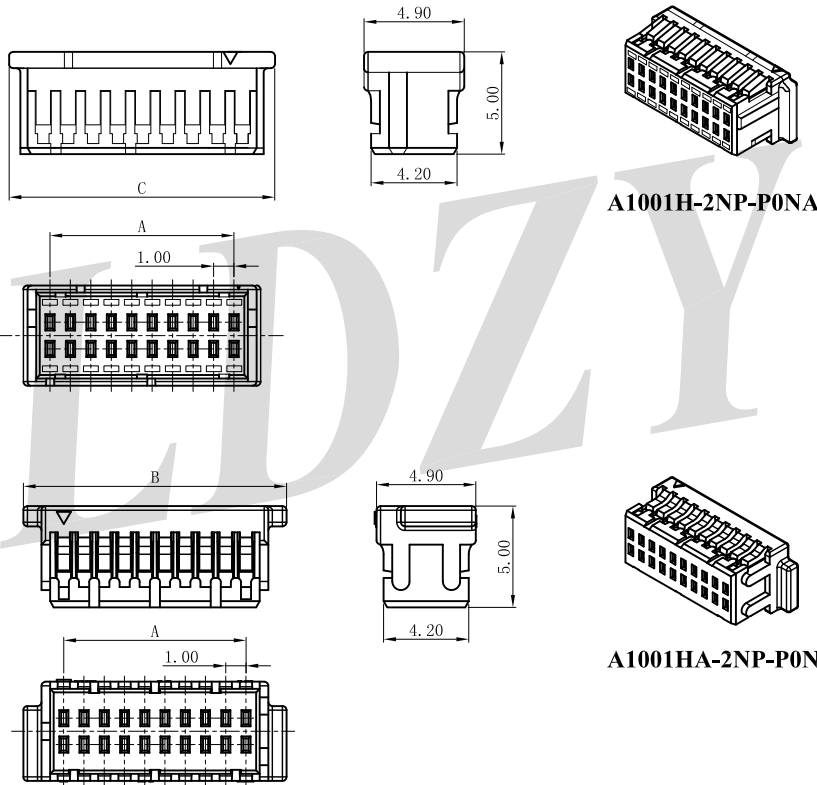
*Suitable LDZY A1001 series Terminal

*Mates with LDZY A1001 series Wafer
Ordering Information & Dimensions

Poles	Dimensions (mm)		
	A	B	C
02	1.00	3.00	5.00
03	2.00	4.00	6.00
04	3.00	5.00	7.00
05	4.00	6.00	8.00
06	5.00	7.00	9.00
07	6.00	8.00	10.00
08	7.00	9.00	11.00
09	8.00	10.00	12.00
10	9.00	11.00	13.00
11	10.00	12.00	14.00
12	11.00	13.00	15.00
13	12.00	14.00	16.00
14	13.00	15.00	17.00
15	14.00	16.00	18.00
16	15.00	17.00	19.00
17	16.00	18.00	20.00
18	17.00	19.00	21.00
19	18.00	20.00	22.00
20	19.00	21.00	23.00

A1001HX-2NP-P0NA

1.00mm Pitch Dual Row Housing



Reference Informations:

*Material:

Housing: PBT,UL94V-0/Natrual

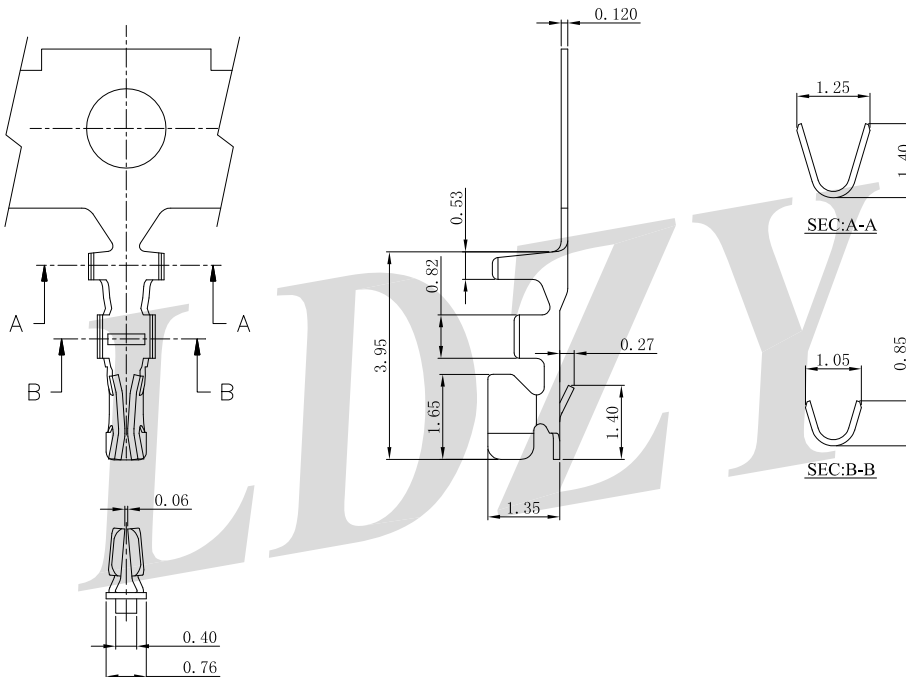
*Suitable LDZY A1001 series Terminal

*Mates with LDZY A1001 series Wafer
Ordering Information & Dimensions

Poles	Dimensions (mm)		
	A	B	C
2*5	4.00	8.00	7.30
2*6	5.00	9.00	8.30
2*8	7.00	11.00	10.30
2*10	9.00	13.00	12.30
2*15	14.00	18.00	17.30
2*20	19.00	23.00	22.30
2*25	24.00	28.00	27.30

A1001TF-PT1

1.00mm Pitch Terminal



Reference Informations:

*Material: Phosphor Bronze/Tin-plated

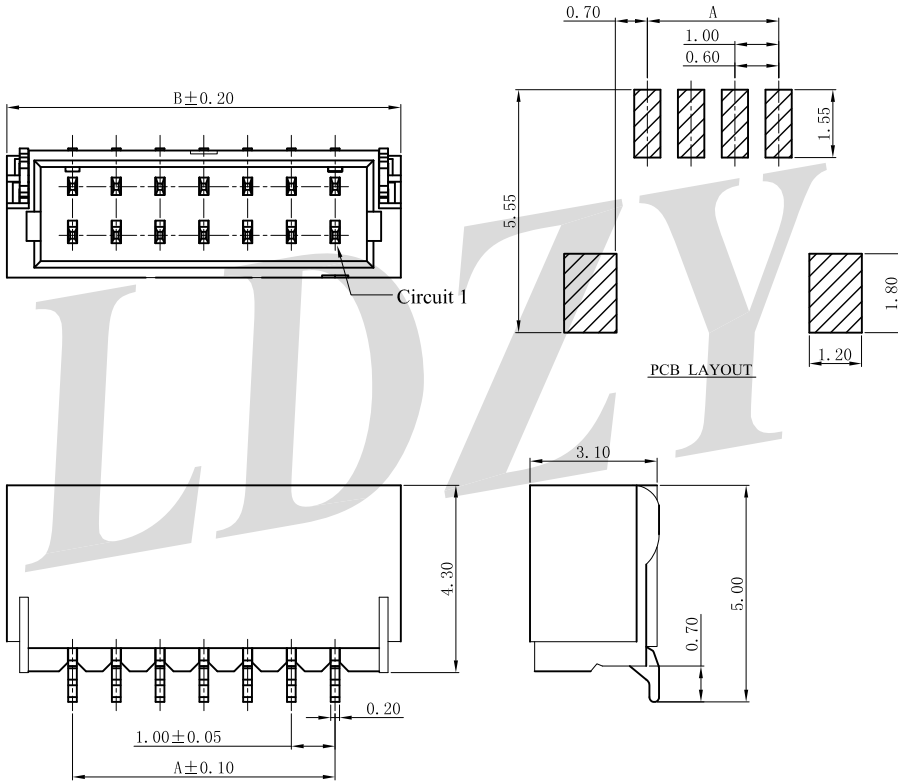
*Mates with LDZY A1001 series Housing

Ordering Information & Specifications

Part No	Wire Range	Insulation O.D.	Material	Finish	Qty/reel
A1001TF-PT1	AWG#28-#32	0.8mm(max)	Phosphor Bronze	Tin Plated	20,000pcs

A1001WRS-NP-9TBGT

1.0mm Pitch 90° SMT Single Row Wafer



Reference Informations:

*Material:

PIN: Phosphor Bronze/Tin-plated

Solder Tabs: Brass/Tin-plated

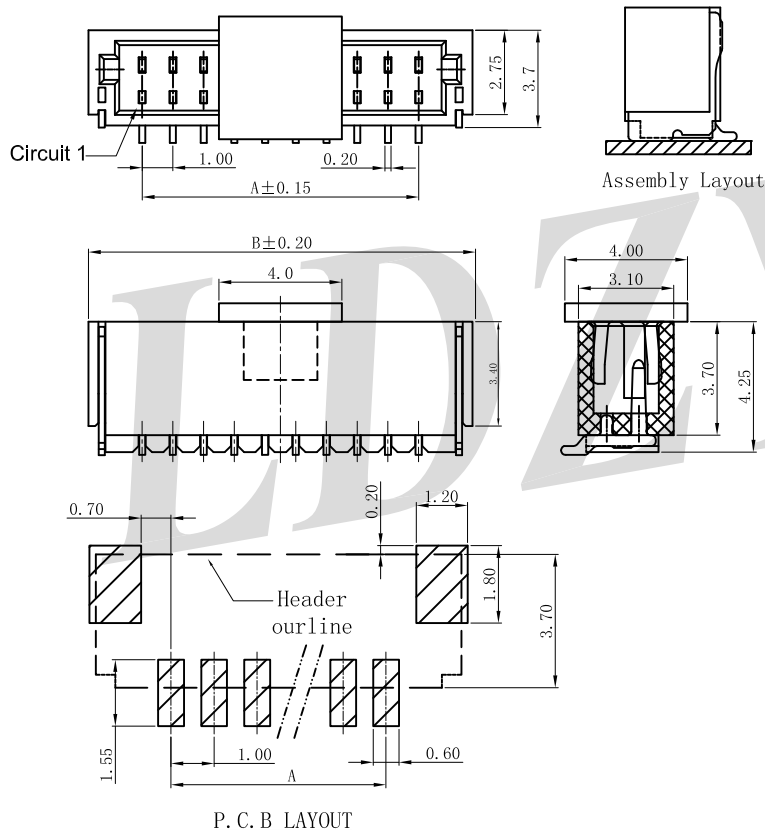
Wafer: PA9T, UL94V-0/ Natural(Beige)

*Suitable LDZY A1001 series Housing
Ordering Information & Dimensions

Poles	Dimensions (mm)	
	A	B
02	1.00	4.50
03	2.00	5.50
04	3.00	6.50
05	4.00	7.50
06	5.00	8.50
07	6.00	9.50
08	7.00	10.50
09	8.00	11.50
10	9.00	12.50
11	10.00	13.50
12	11.00	14.50
13	12.00	15.50
14	13.00	16.50
15	14.00	17.50
16	15.00	18.50
17	16.00	19.50
18	17.00	20.50
19	18.00	21.50
20	19.00	22.50

A1001WVS-NP-9TBGT

1.0mm Pitch 180° SMT Single Row Wafer



Reference Informations:

*Material:

PIN: Phosphor Bronze/Tin-plated

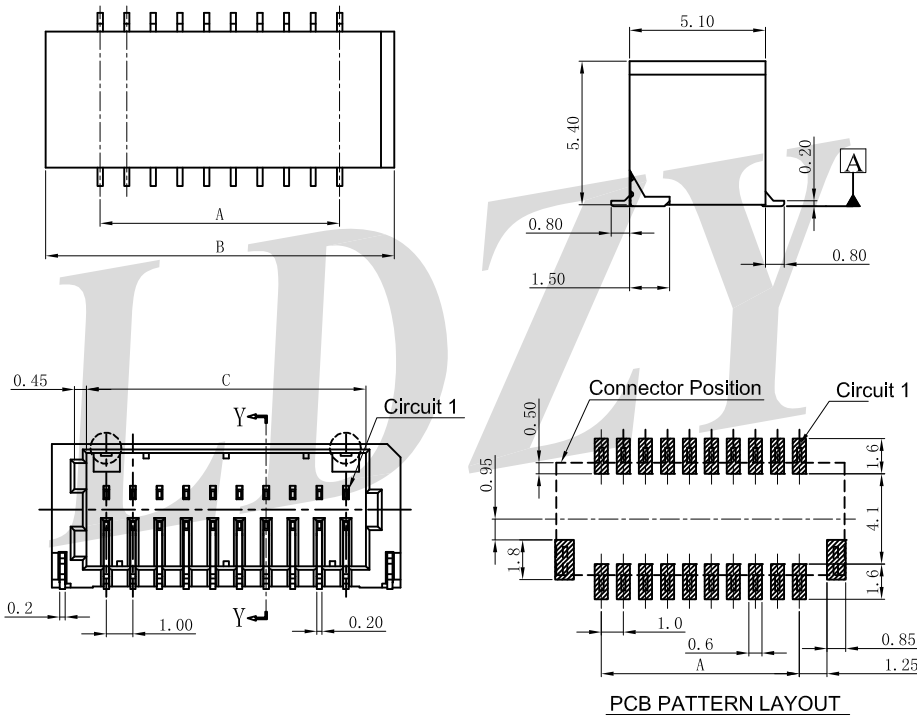
Solder Tabs: Brass/Tin-plated

Wafer: PA9T, UL94V-0/ Natural(Beige)

*Suitable LDZY A1001 series Housing
Ordering Information & Dimensions

Poles	Dimensions (mm)	
	A	B
02	1.00	4.50
03	2.00	5.50
04	3.00	6.50
05	4.00	7.50
06	5.00	8.50
07	6.00	9.50
08	7.00	10.50
09	8.00	11.50
10	9.00	12.50
11	10.00	13.50
12	11.00	14.50
13	12.00	15.50
14	13.00	16.50
15	14.00	17.50
16	15.00	18.50
17	16.00	19.50
18	17.00	20.50
19	18.00	21.50
20	19.00	22.50

A1001WRS-2NP-9TBGG 1.0mm Pitch 180° SMT Dual Row Wafer



Reference Informations:

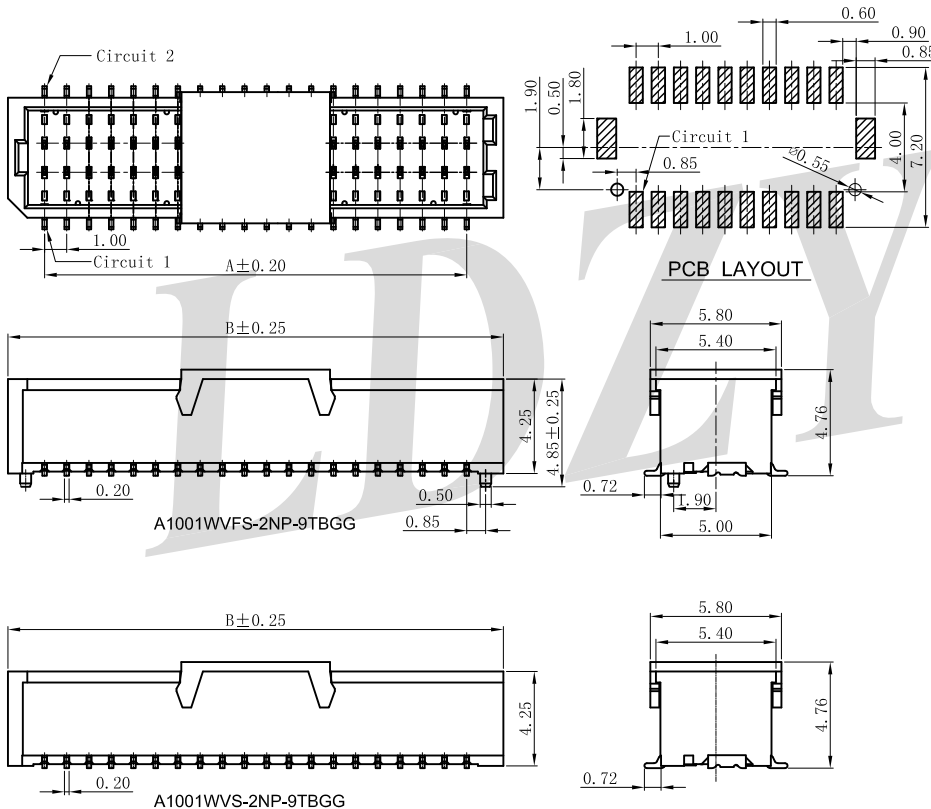
*Material:

PIN: Phosphor Bronze/Tin-plated
Solder Tabs: Brass/Tin-plated
Wafer: PA9T,UL94V-0/ Natural(Beige)

*Suitable LDZY A1001 series Housing
Ordering Information & Dimensions

Poles	Dimensions (mm)		
	A	B	C
2*5	4.00	8.10	5.50
2*6	5.00	9.10	6.50
2*8	7.00	11.10	8.50
2*9	8.00	12.10	9.50
2*10	9.00	13.10	10.50
2*12	11.00	15.10	12.50
2*15	14.00	18.10	15.50
2*17	16.00	20.10	17.50
2*20	19.00	23.10	20.50
2*25	24.00	28.10	25.50

A1001WVS-2NP-9TBGG 1.0mm Pitch 180° SMT Dual Row Wafer



Reference Informations:

*Material:

PIN: Phosphor Bronze/Tin-plated
Solder Tabs: Brass/Tin-plated
Wafer: PA9T,UL94V-0/ Natural(Beige)

*Suitable LDZY A1001 series Housing
Ordering Information & Dimensions

Poles	Dimensions (mm)	
	A	B
2*5	4.00	7.30
2*6	5.00	8.30
2*8	7.00	10.30
2*10	9.00	12.30
2*12	11.00	14.30
2*15	14.00	17.30
2*20	19.00	22.30
2*25	24.00	27.30