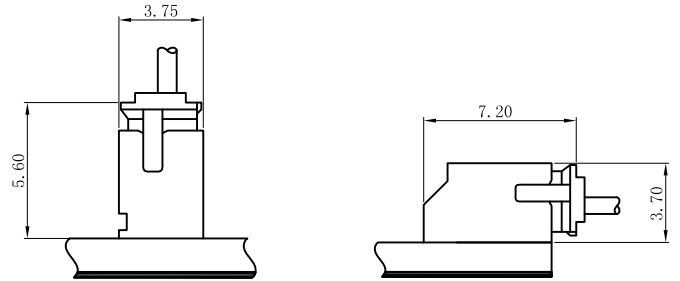
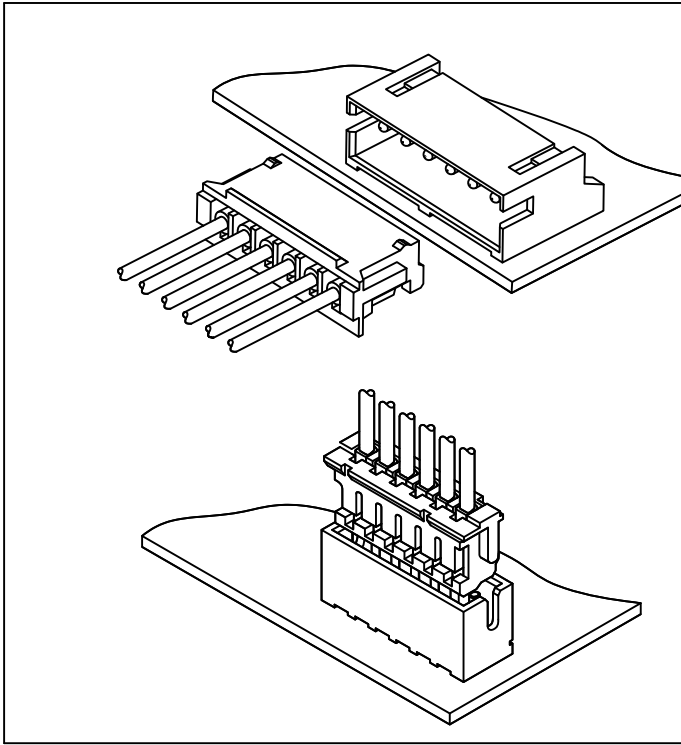


SPECIFICATIONS:

Voltage Rating: 100V AC/DC
 Current Rating: 1A AC/DC
 Withstanding Voltage: 500V AC/Minute
 Temperature Range: -25°C~+85°C
 Insulation Resistance: 500MΩ Min.
 Contact Resistance: 20mΩ Max.
 Applicable Wire Range: AWG#26~32.

Assembly Layout:



A1500H-NP-N0NA

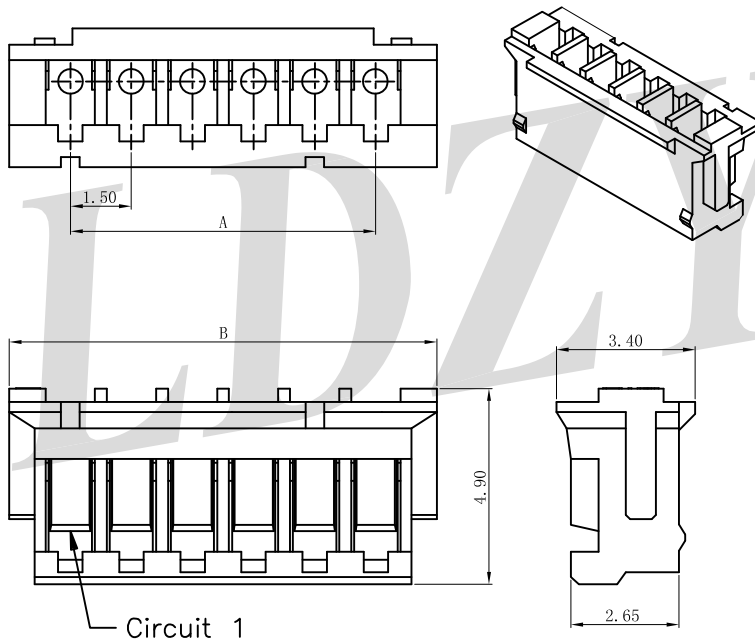
1.50mm Pitch Single Row Housing

Reference Informations:

- *Material: Housing: PA66 UL94V-0/Natrual
- *Suitable LDZY A1500 series Terminal
- *Mates with LDZY A1500 series Wafer

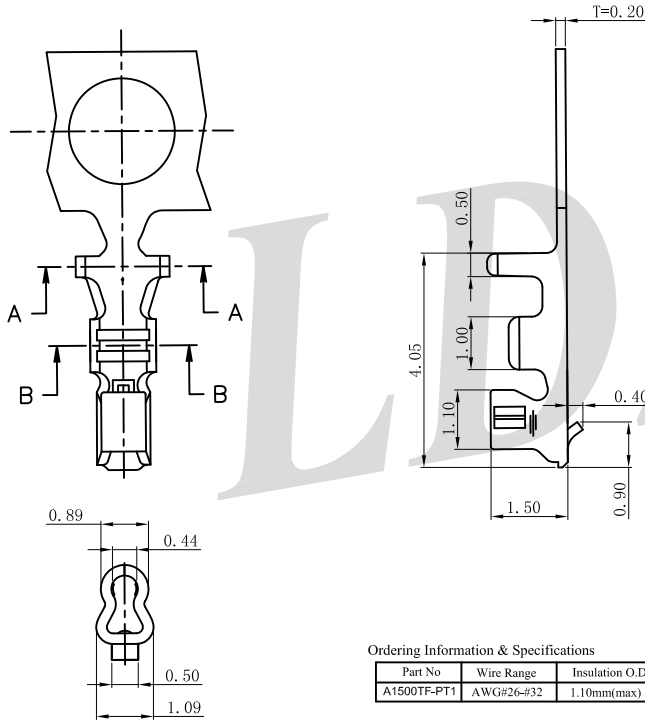
Ordering Information & Dimensions

Poles	Dimensions (mm)	
	A	B
02	1.50	4.50
03	3.00	6.00
04	4.50	7.50
05	6.00	9.00
06	7.50	10.50
07	9.00	12.00
08	10.50	13.50
09	12.00	15.00
10	13.50	16.50
11	15.00	18.00
12	16.50	19.50
13	18.00	21.00
15	21.00	24.00



A1500TF-PT1

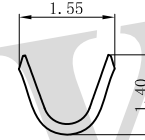
1.50mm Pitch Terminal



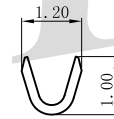
Reference Informations:

*Material: Phosphor Bronze/Tin-plated

*Mates with LDZY A1500 series Housing



SEC:A-A



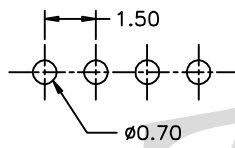
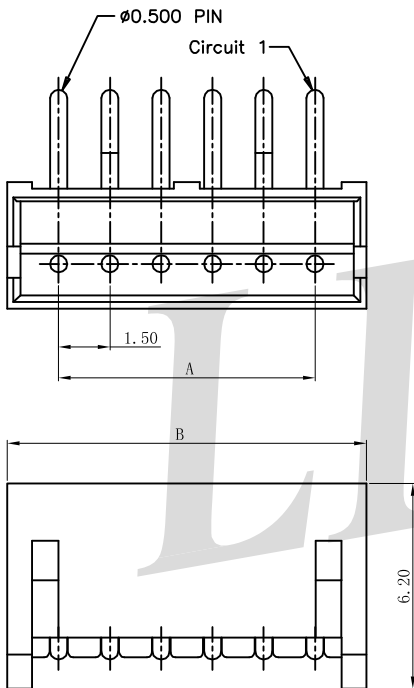
SEC:B-B

Ordering Information & Specifications

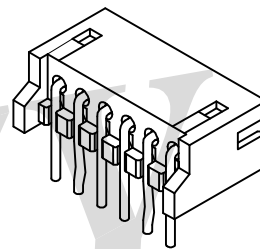
Part No	Wire Range	Insulation O.D.	Material	Finish	Qty/reel
A1500TF-PT1	AWG#26-#32	1.10mm(max)	Phosphor Bronze	Tin-plated	10,000pcs

A1500WR-NP-46BGTK

1.50mm Pitch 90° Single Row Wafer



P.C.B LAYOUT



Reference Informations:

*Material:

PIN: Brass/Tin-plated

Wafer: PA46,UL94V-0 / Beige

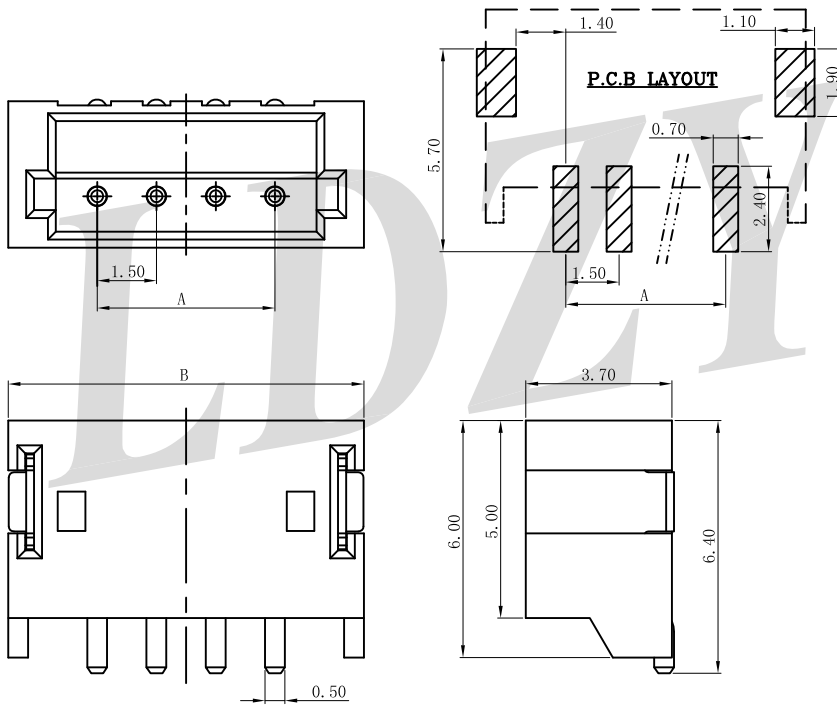
*Suitable LDZY A1500 series Housing

Ordering Information & Dimensions

Poles	Dimensions (mm)	
	A	B
02	1.50	4.50
03	3.00	6.00
04	4.50	7.50
05	6.00	9.00
06	7.50	10.50
07	9.00	12.00
08	10.50	13.50
09	12.00	15.00
10	13.50	16.50
11	15.00	18.00
12	16.50	19.50
13	18.00	21.00

A1500WRS-NP-9TBGT

1.50mm Pitch 90° SMT Single Row Wafer



Reference Informations:

*Material:

PIN: Brass/Tin-plated

Solder Tabs: Phosphor Bronze/Tin-plated

Wafer: PA9T,UL94V-0 / Natrual

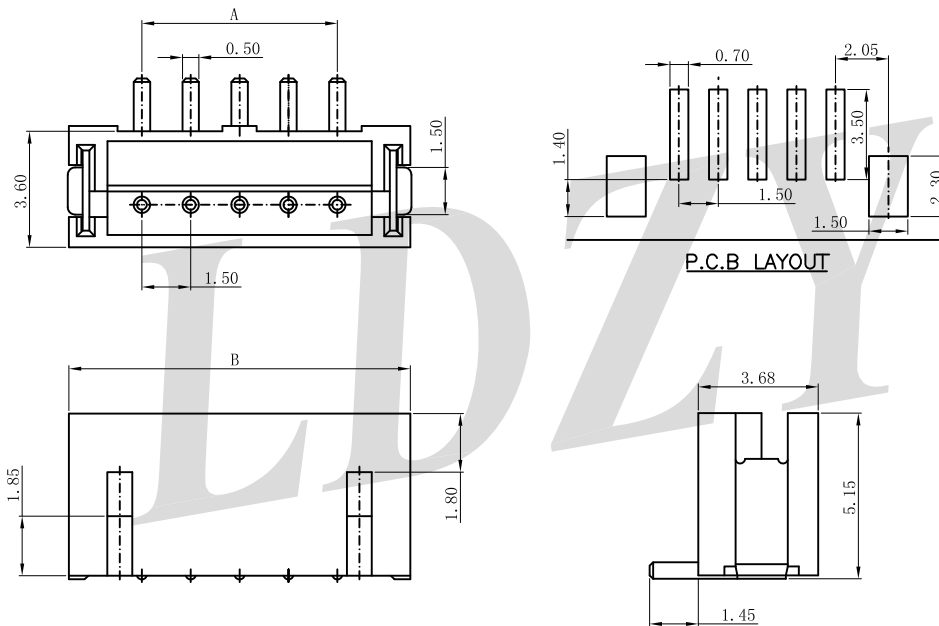
*Suitable LDZY A1500 series Housing

Ordering Information & Dimensions

Poles	Dimensions (mm)	
	A	B
02	1.50	6.00
03	3.00	7.50
04	4.50	9.00
05	6.00	10.50
06	7.50	12.00
07	9.00	13.50
08	10.50	15.00
09	12.00	16.50
10	13.50	18.00
11	15.00	19.50
12	16.50	21.00
13	18.00	22.50
14	19.50	24.00
15	21.00	25.50

A1500WVS-NP-6TBGT

1.50mm Pitch SMT Single Row Wafer



Reference Informations:

*Material:

PIN: Brass/Tin-plated

Wafer: PA6T,UL94V-0 / Beige

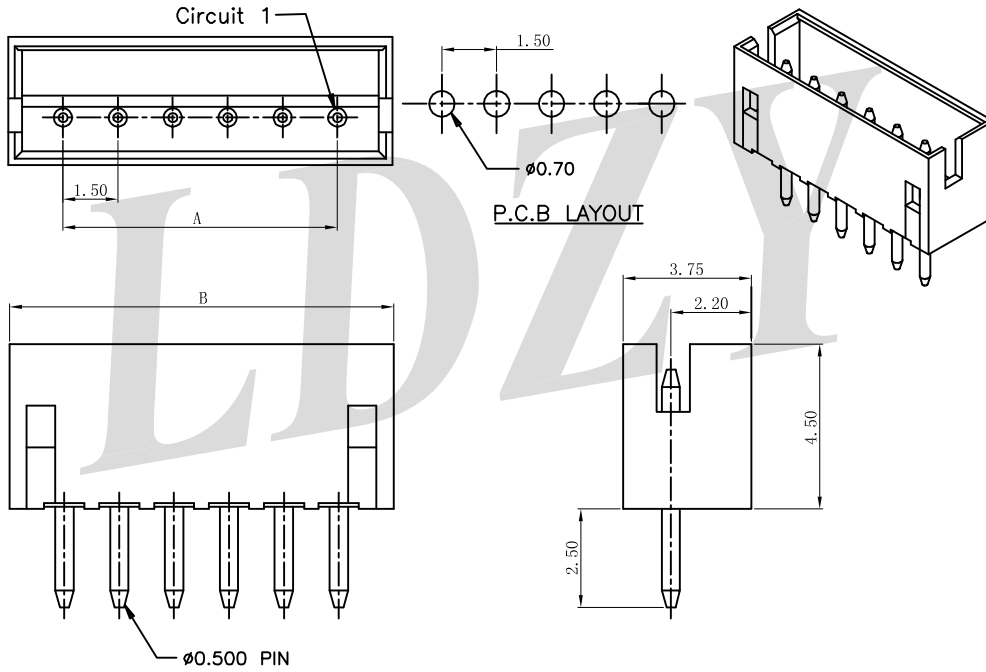
*Suitable LDZY A1500 series Housing

Ordering Information & Dimensions

Poles	Dimensions (mm)	
	A	B
02	1.50	6.00
03	3.00	7.50
04	4.50	9.00
05	6.00	10.50
06	7.50	12.00
07	9.00	13.50
08	10.50	15.00
09	12.00	16.50
10	13.50	18.00
11	15.00	19.50
12	16.50	21.00
13	18.00	22.50
14	19.50	24.00
15	21.00	25.50

A1500WV-NP-46BGT

1.50mm Pitch 180° Single Row Wafer



Reference Informations:

*Material:

PIN: Brass/Tin-plated

Wafer: PA46,UL94V-0 / Beige

*Suitable LDZY A1500 series Housing

Ordering Information & Dimensions

Poles	Dimensions (mm)	
	A	B
02	1.50	4.50
03	3.00	6.00
04	4.50	7.50
05	6.00	9.00
06	7.50	10.50
07	9.00	12.00
08	10.50	13.50
09	12.00	15.00
10	13.50	16.50
11	15.00	18.00
12	16.50	19.50
13	18.00	21.00
15	21.00	24.00