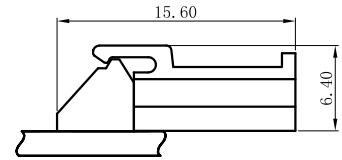
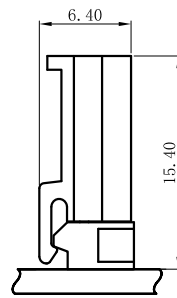
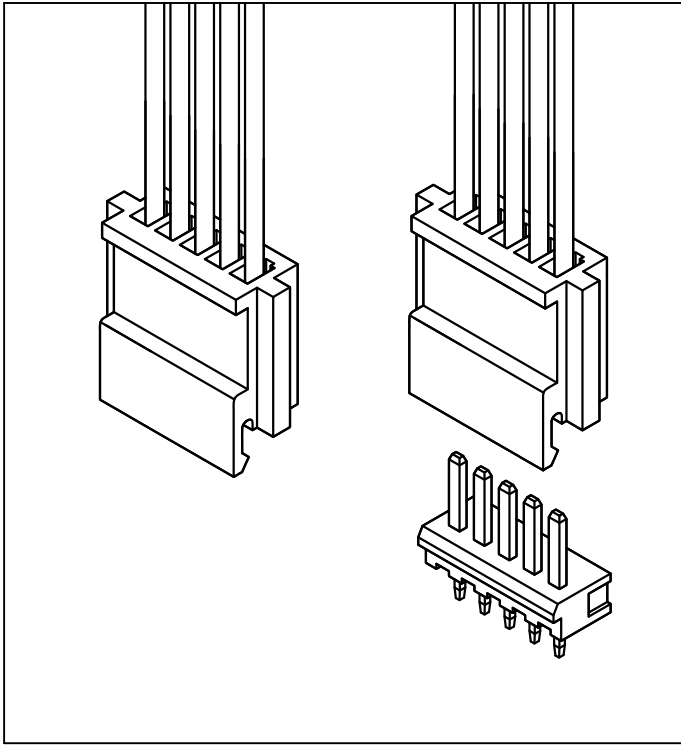


SPECIFICATIONS:

Voltage Rating: 250V AC/DC
 Current Rating: 3A AC/DC
 Withstanding Voltage: 1000V AC/Minute
 Temperature Range: -25°C~+85°C
 Insulation Resistance: 1000MΩ Min.
 Contact Resistance: 15mΩ Max.
 Applicable Wire Range: AWG#22~28.

Assembly Layout:



A2501HB-NP-N0NA

2.50mm Pitch Single Row Housing

Reference Informations:

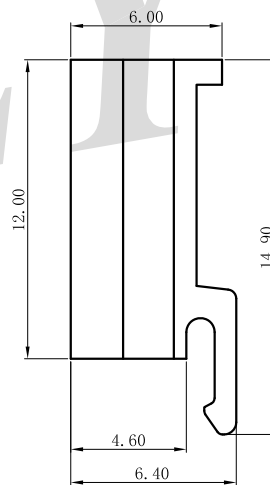
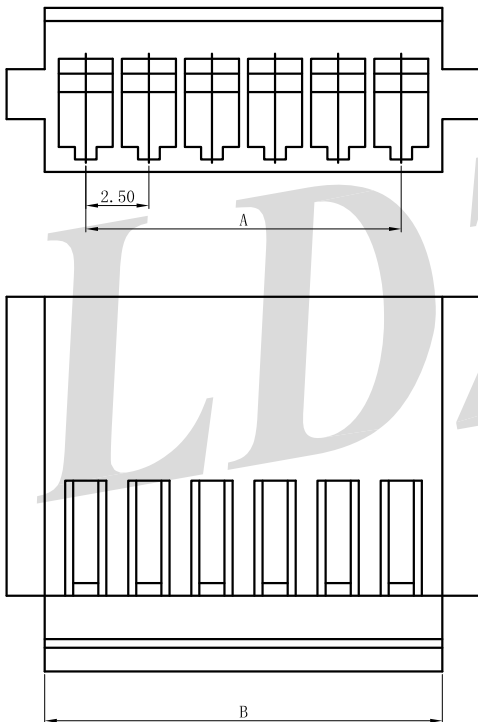
*Material:

Housing: PA66 UL94V-0/Natural

*Suitable LDZY A2501 series Terminal

*Mates with LDZY A2501 series Wafer
Ordering Information & Dimensions

Poles	Dimensions (mm)	
	A	B
02	2.50	5.80
03	5.00	8.30
04	7.50	10.80
05	10.00	13.30
06	12.50	15.80
07	15.00	18.30
08	17.50	20.80
09	20.00	23.30
10	22.50	25.80
11	25.00	28.30
12	27.50	30.80
13	30.00	33.30
14	32.50	35.80
15	35.00	38.30
16	37.50	40.80
17	40.00	43.30
18	42.50	45.80
19	45.00	48.30
25	60.00	63.30

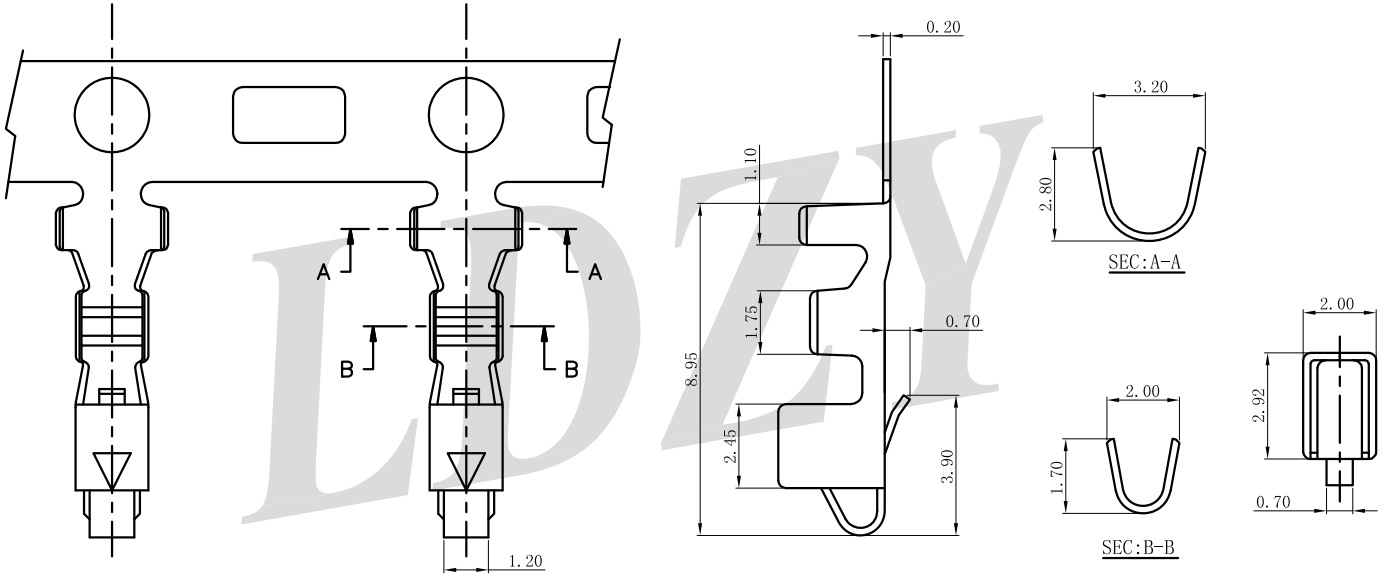


A2501TFA-PT1

2.50mm Pitch Terminal

Reference Informations:

- *Material: Phosphor Bronze/Tin-plated
- *Mates with LDZY A2501 series Housing



Ordering Information & Specifications

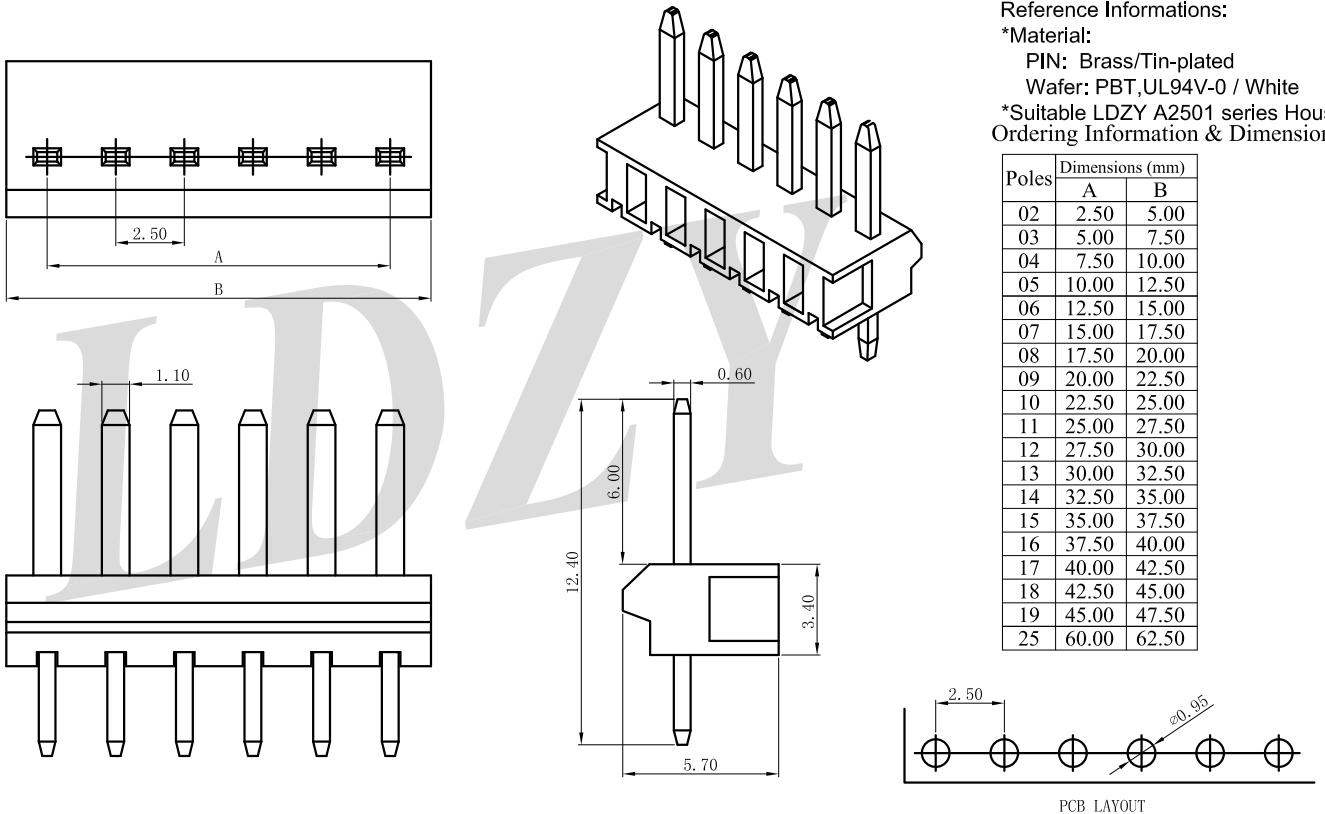
Part No	Wire Range	Insulation O.D.	Material	Finish	Qty/reel
A2501TFA-PT1	AWG#22-#28	1.8mm(max)	Phosphor Bronze	Tin-plated	5,000pcs

A2501WVB-NP-P0WHT

2.50mm Pitch 180° Single Row Wafer

Reference Informations:

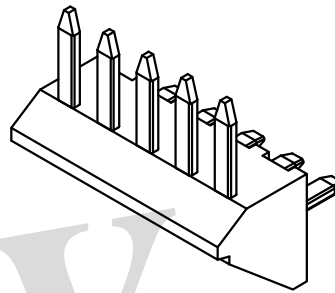
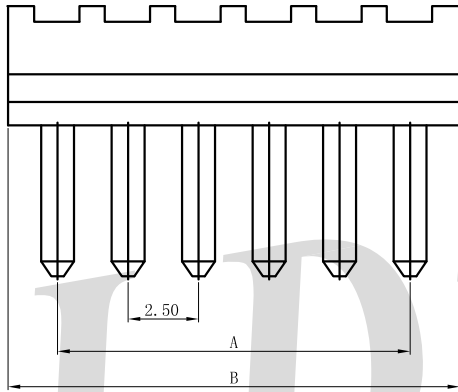
- *Material:
PIN: Brass/Tin-plated
Wafer: PBT, UL94V-0 / White
- *Suitable LDZY A2501 series Housing



Poles	Dimensions (mm)	
	A	B
02	2.50	5.00
03	5.00	7.50
04	7.50	10.00
05	10.00	12.50
06	12.50	15.00
07	15.00	17.50
08	17.50	20.00
09	20.00	22.50
10	22.50	25.00
11	25.00	27.50
12	27.50	30.00
13	30.00	32.50
14	32.50	35.00
15	35.00	37.50
16	37.50	40.00
17	40.00	42.50
18	42.50	45.00
19	45.00	47.50
25	60.00	62.50

A2501WRB-04-P0WHT

2.50mm Pitch 90° Single Row Wafer



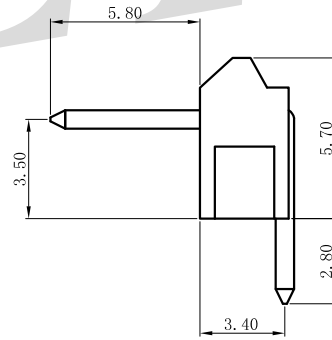
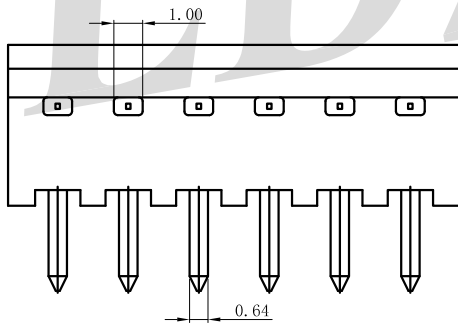
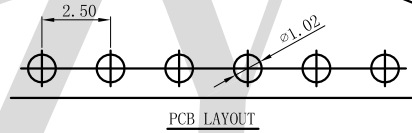
Reference Informations:

*Material:

PIN: Brass/Tin-plated

Wafer: PBT, UL94V-0 / White

*Suitable LDZY A2501 series Housing
Ordering Information & Dimensions



Poles	Dimensions (mm)	
	A	B
02	2.50	5.00
03	5.00	7.50
04	7.50	10.00
05	10.00	12.50
06	12.50	15.00
07	15.00	17.50
08	17.50	20.00
09	20.00	22.50
10	22.50	25.00
11	25.00	27.50
12	27.50	30.00
13	30.00	32.50
14	32.50	35.00
15	35.00	37.50
16	37.50	40.00
17	40.00	42.50
18	42.50	45.00
19	45.00	47.50
25	60.00	62.50