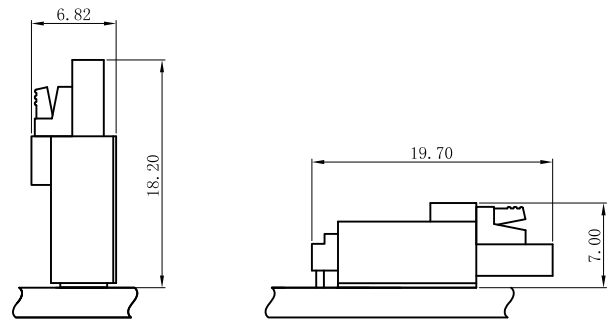


SPECIFICATIONS:

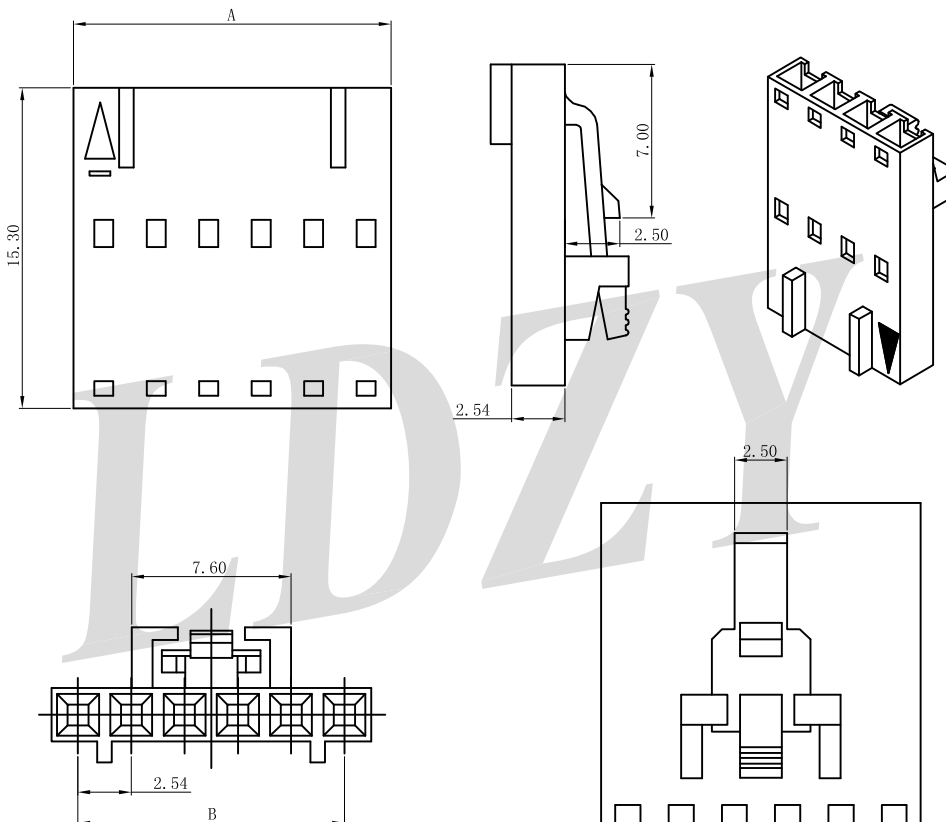
- Voltage Rating: 250V AC/DC
- Current Rating: 3A AC/DC
- Withstanding Voltage: 1500V AC/Minute
- Temperature Range: -25°C~+85°C
- Insulation Resistance: 1000MΩ Min.
- Contact Resistance: 20mΩ Max.
- Applicable Wire Range: AWG#22~26.

Assembly Layout:



A2541HF-NP-N0BK

2.54mm Pitch Single Row Housing



Reference Informations:

*Material:

Housing: PA66 UL94V-0/Black

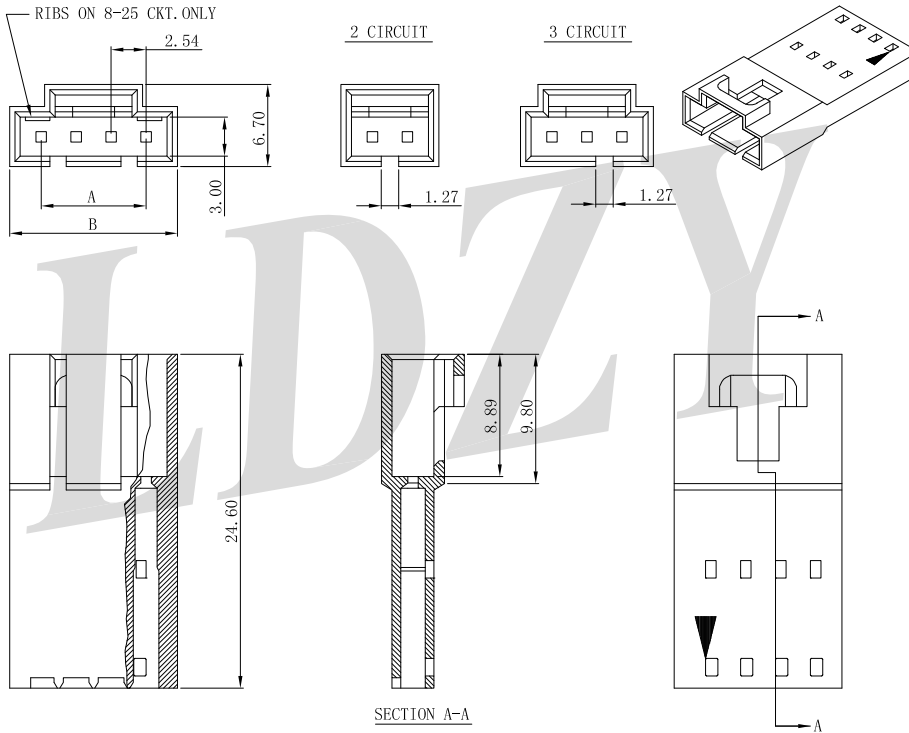
*Suitable LDZY A2541 series Terminal

*Mates with LDZY A2541 series Wafer
Ordering Information & Dimensions

Poles	Dimensions (mm)	
	A	B
02	2.54	5.08
03	5.08	7.62
04	7.62	10.16
05	10.16	12.70
06	12.70	15.24
07	15.24	17.78
08	17.78	20.32
09	20.32	22.86
10	22.86	25.40
11	25.40	27.94
12	27.94	30.48
13	30.48	33.02
14	32.02	35.56
15	35.56	38.10
16	38.10	40.64
17	40.64	43.10
18	43.18	45.64
19	45.72	48.18
20	48.26	50.72

A2541HM-NP-NOBK

2.54mm Pitch Single Row Housing



Reference Informations:

*Material:

Housing: PA66 UL94V-0/Black

*Suitable LDZY A2541 series Terminal

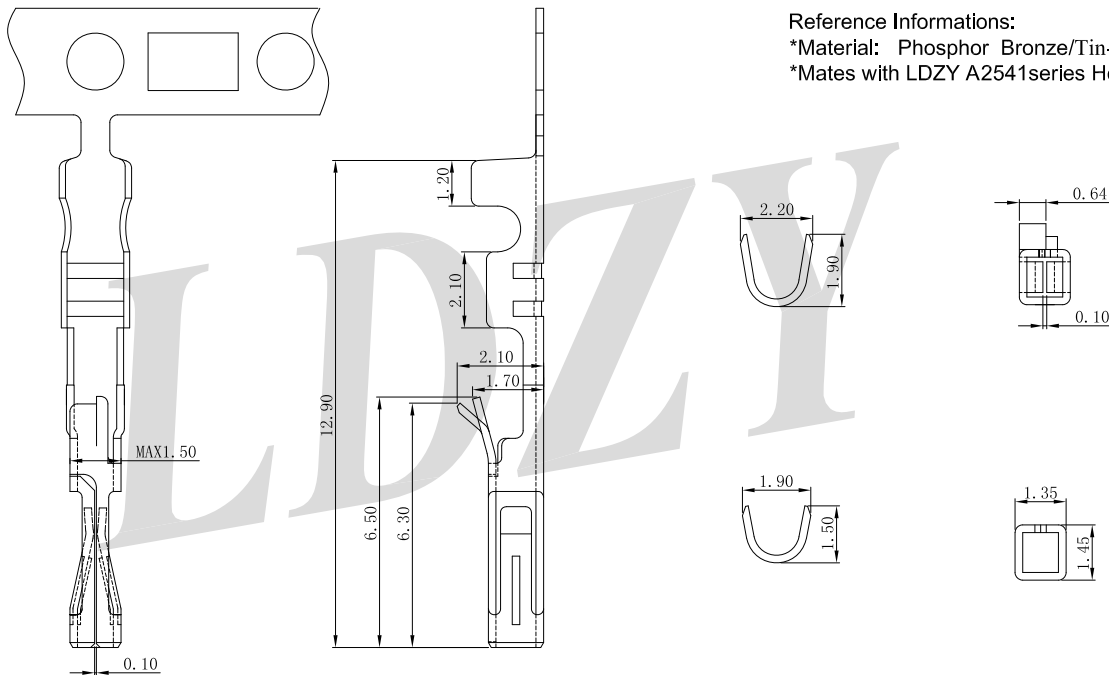
*Mates with LDZY A2541 Female Housing

Ordering Information & Dimensions

Poles	Dimensions (mm)	
	A	B
02	2.54	7.32
03	5.08	9.86
04	7.62	12.40
05	10.16	14.94
06	12.70	17.48
07	15.24	20.02
08	17.78	22.56
09	20.32	25.10
10	22.86	27.64
11	25.40	29.48
12	27.94	32.72
13	30.48	35.26
14	32.02	37.80
15	35.56	40.34
16	38.10	42.88
17	40.64	45.42
18	43.18	47.96
19	45.72	50.50
20	48.26	53.04

A2541TF-PXX

2.54mm Pitch Terminal



Reference Informations:

*Material: Phosphor Bronze/Tin-plated or Gold plated

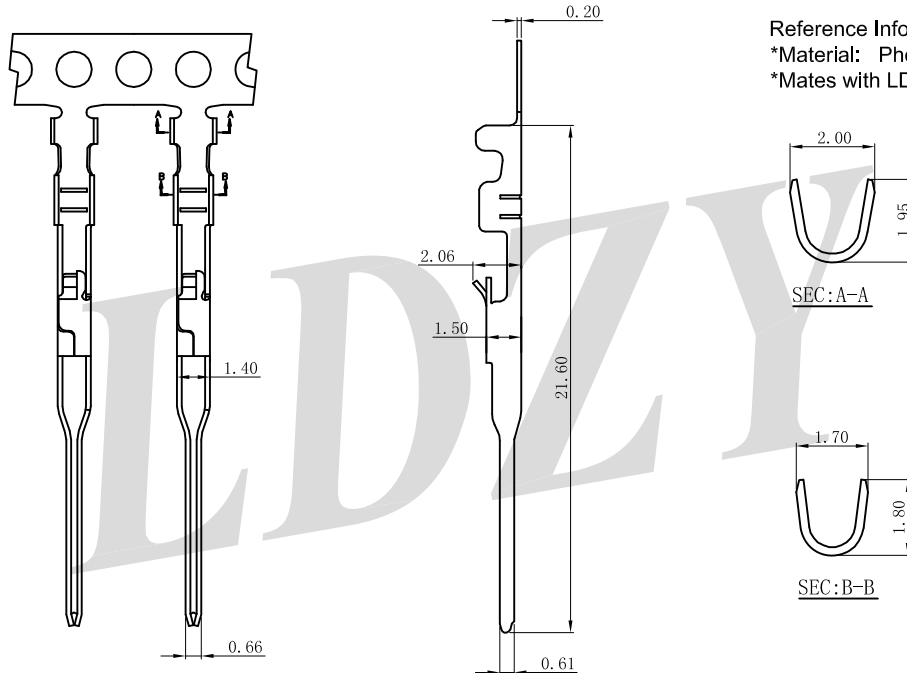
*Mates with LDZY A2541series Housing

Ordering Information & Specifications

Part No	Wire Range	Insulation O.D.	Material	Finish	Qty/reel
A2541TF-PT1	AWG#22-#26	1.6mm(max)	Phosphor Bronze	Tin-plated	15,000pcs
A2541TF-PG1	AWG#22-#26	1.6mm(max)	Phosphor Bronze	Gold plated	15,000pcs

A2541TM-PXX

2.54mm Pitch Terminal



Reference Informations:

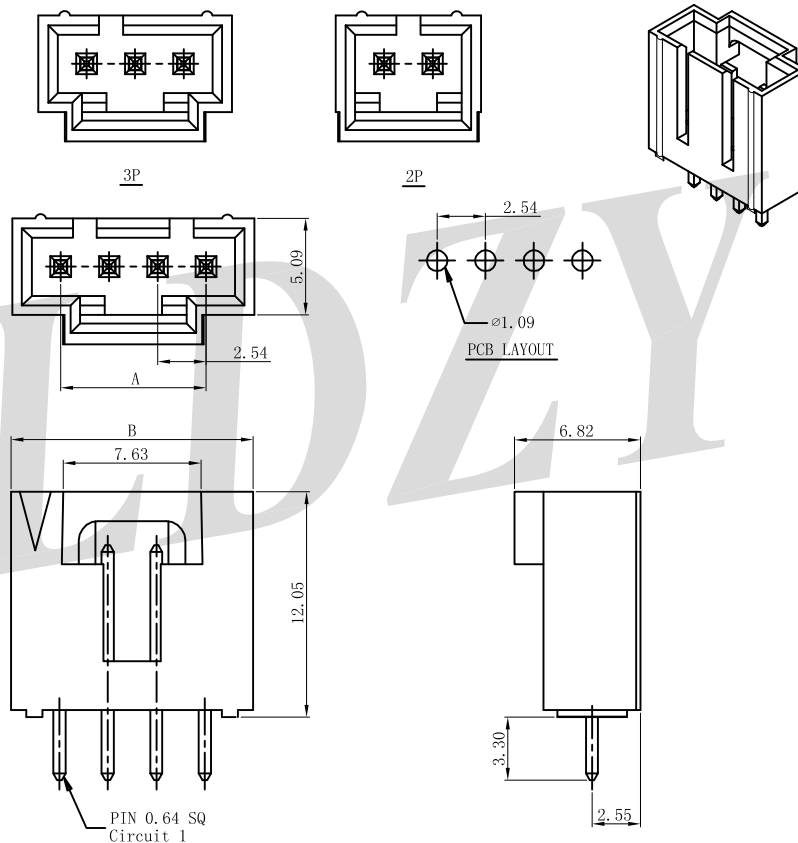
- *Material: Phosphor Bronze/Tin-plated or Gold plated
- *Mates with LDZY A2541series Housing

Ordering Information & Specifications

Part No	Wire Range	Insulation O.D.	Material	Finish	Qty/reel
A2541TM-PT1	AWG#18-#22	2.10mm(max)	Phosphor Bronze	Tin-plated	10,000pcs
A2541TM-PG1	AWG#18-#22	2.10mm(max)	Phosphor Bronze	Gold plated	10,000pcs

A2541WV-NP-N0BKG

2.54mm Pitch 180° Single Row Wafer



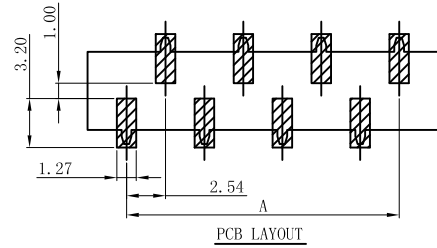
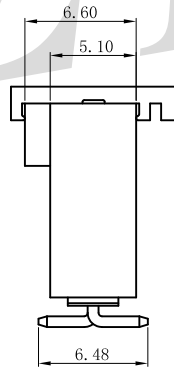
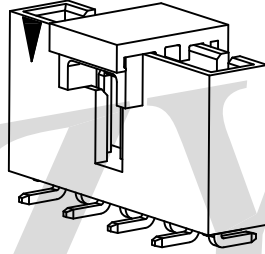
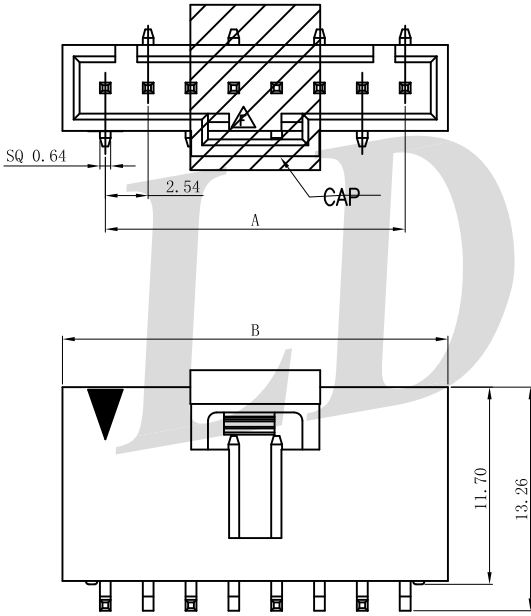
Reference Informations:

- *Material:
 - PIN: Brass/Gold plated
 - Wafer: PA66,UL94V-0 /Black
- *Suitable LDZY A2541 series Housing

Poles	Dimensions (mm)	
	A	B
02	2.54	7.63
03	5.08	10.17
04	7.62	12.71
05	10.16	15.25
06	12.70	17.79
07	15.24	20.33
08	17.78	22.87
09	20.32	25.41
10	22.86	27.95
11	25.40	30.49
12	27.94	33.03
13	30.48	35.57
14	32.02	38.11
15	35.56	40.65

A2541WVS-NP-4TBKX

2.54mm Pitch 180° SMT Single Row Wafer



Reference Informations:

*Material:

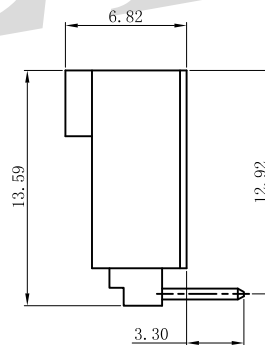
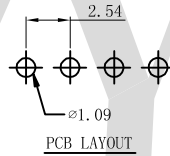
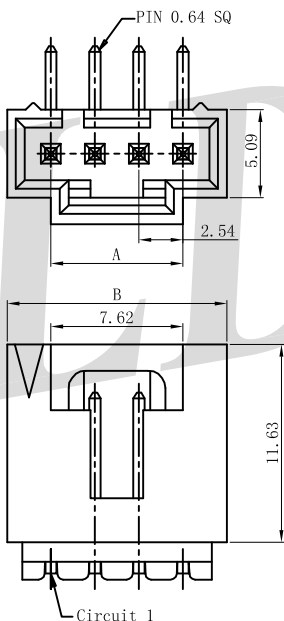
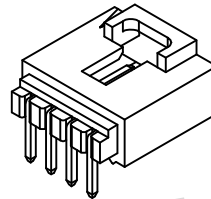
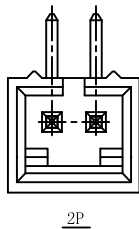
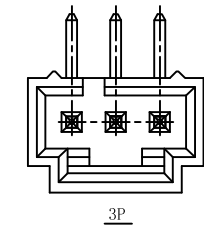
PIN: Brass/Tin-plated or Gold plated
Wafer: PA4T,UL94V-0 / Black

*Suitable LDZY A2541 series Housing
Ordering Information & Dimensions

Poles	Dimensions (mm)	
	A	B
02	2.54	7.62
03	5.08	10.16
04	7.62	12.70
05	10.16	15.24
06	12.70	17.78
07	15.24	20.32
08	17.78	22.86
09	20.32	25.40
10	22.86	27.94
11	25.40	30.48
12	27.94	33.02
13	30.48	35.56
14	32.02	38.10
15	35.56	40.64

A2541WR-NP-N0BKX

2.54mm Pitch 90° Single Row Wafer



Reference Informations:

*Material:

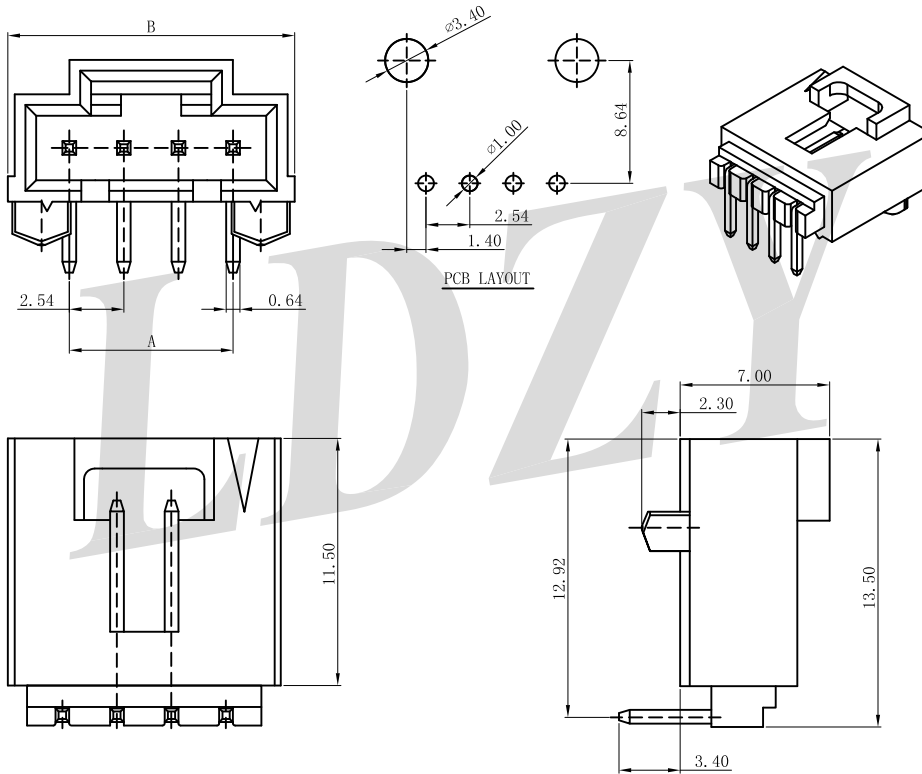
PIN: Brass/Gold plated
Wafer: PA66,UL94V-0/Black

*Suitable LDZY A2541 series Housing
Ordering Information & Dimensions

Poles	Dimensions (mm)	
	A	B
02	2.54	7.59
03	5.08	10.13
04	7.62	12.67
05	10.16	15.21
06	12.70	17.75
07	15.24	20.29
08	17.78	22.83
09	20.32	25.37
10	22.86	27.91
11	25.40	30.45
12	27.94	32.99
13	30.48	35.53
14	32.02	38.07
15	35.56	40.61

A2541WRF-NP-4TBKG

2.54mm Pitch 90° Single Row Wafer



Reference Informations:

*Material:

PIN: Brass/ Gold plated

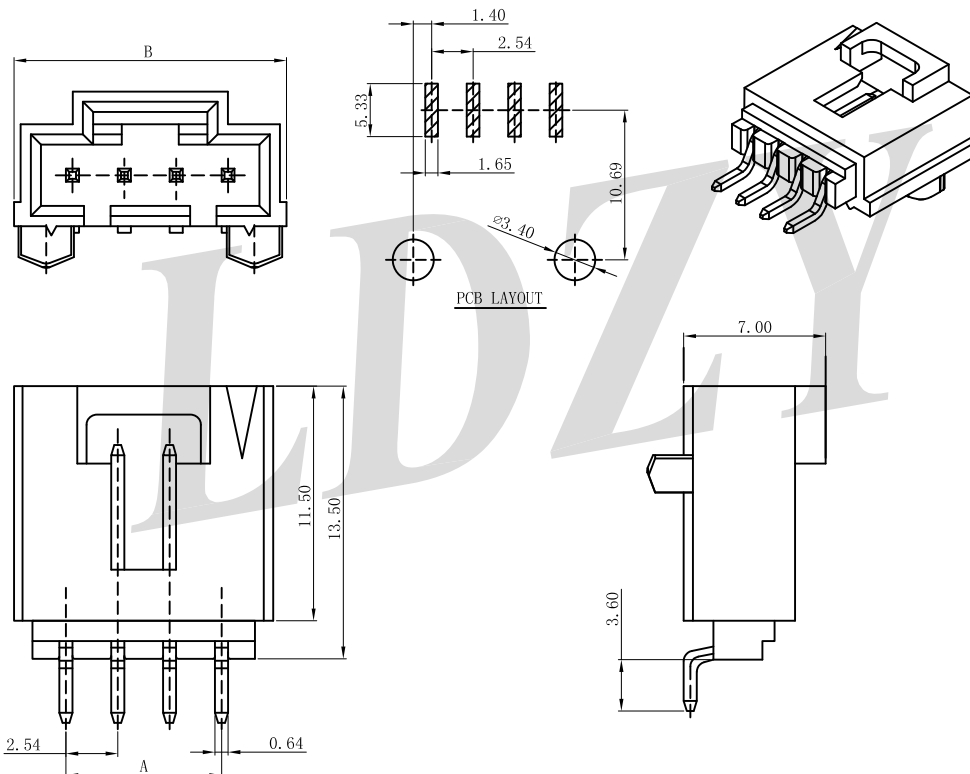
Wafer: PA4T,UL94V-0 / Black

*Suitable LDZY A2541 series Housing
Ordering Information & Dimensions

Poles	Dimensions (mm)	
	A	B
02	2.54	8.53
03	5.08	11.07
04	7.62	13.61
05	10.16	16.51
06	12.70	18.69
07	15.24	21.23
08	17.78	23.77
09	20.32	26.31
10	22.86	28.85
11	25.40	31.39
12	27.94	33.93
13	30.48	36.47
14	32.02	39.01
15	35.56	41.55

A2541WRFS-NP-4TBKX

2.54mm Pitch 90° Single Row Wafer



Reference Informations:

*Material:

PIN: Brass/ Tin-plated or Gold plated

Wafer: PA4T,UL94V-0 / Black

*Suitable LDZY A2541 series Housing
Ordering Information & Dimensions

Poles	Dimensions (mm)	
	A	B
02	2.54	8.53
03	5.08	11.07
04	7.62	13.61
05	10.16	16.51
06	12.70	18.69
07	15.24	21.23
08	17.78	23.77
09	20.32	26.31
10	22.86	28.85
11	25.40	31.39
12	27.94	33.93
13	30.48	36.47
14	32.02	39.01
15	35.56	41.55