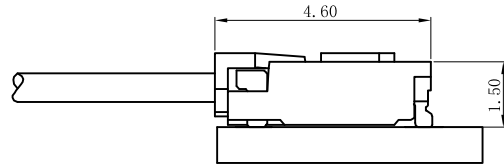
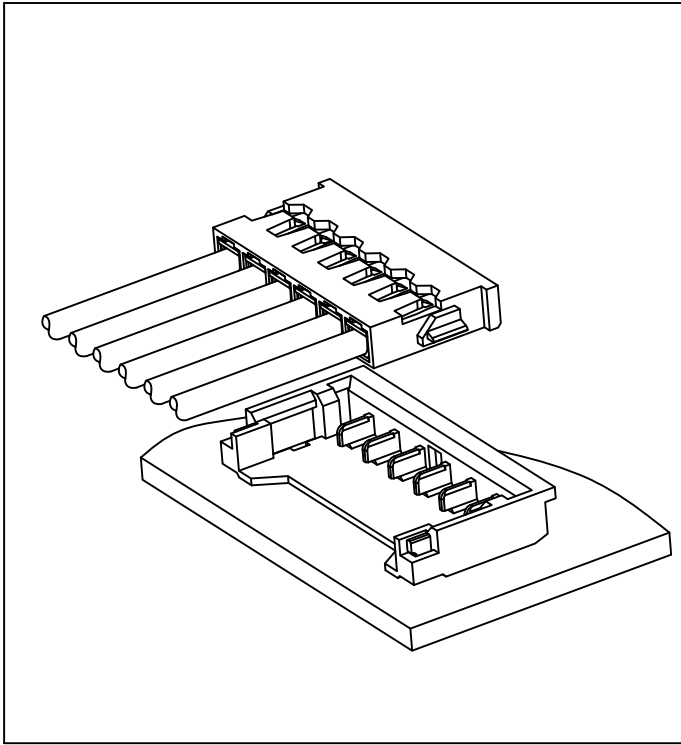


SPECIFICATIONS:

Voltage Rating: 50V AC/DC
 Current Rating: 1.5A AC/DC
 Withstanding Voltage: 500V AC/Minute
 Temperature Range: -25°C~+85°C
 Insulation Resistance: 100MΩ Min.
 Contact Resistance: 20mΩ Max.
 Applicable Wire Range: AWG#30~36.

Assembly Layout:



A1201H-NP-10BK0

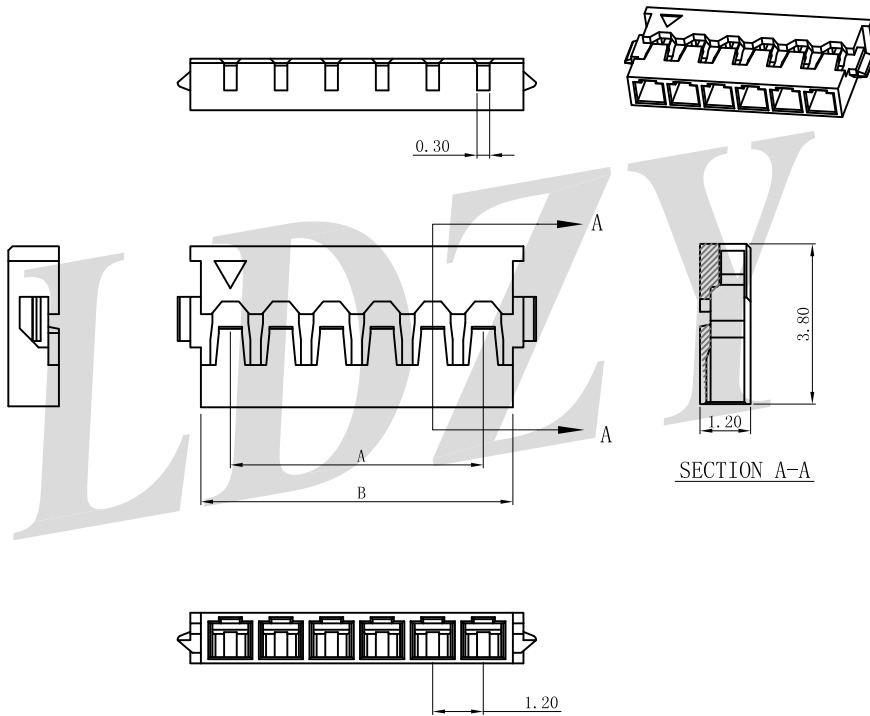
1.20mm Pitch Single Row Housing

Reference Informations:

*Material:
 Housing: PA10T UL94V-0/Black
 *Suitable LDZY A1201 series Terminal
 *Mates with LDZY A1201 series Wafer

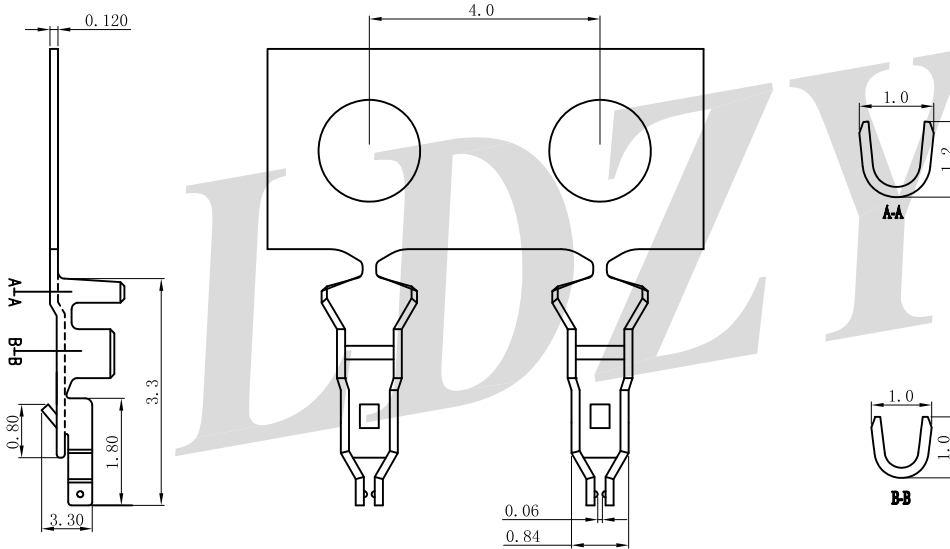
Ordering Information & Dimensions

Poles	Dimensions (mm)	
	A	B
2	1.20	2.60
3	2.40	3.80
4	3.60	5.00
5	4.80	6.20
6	6.00	7.40
7	7.20	8.60
8	8.40	9.80
9	9.60	11.00
10	10.80	12.20
11	12.00	13.40
12	13.20	14.60
13	14.40	15.80
14	15.60	17.00
15	16.80	18.20



A1201TF-PG1

1.20mm Pitch Terminal



Reference Informations:

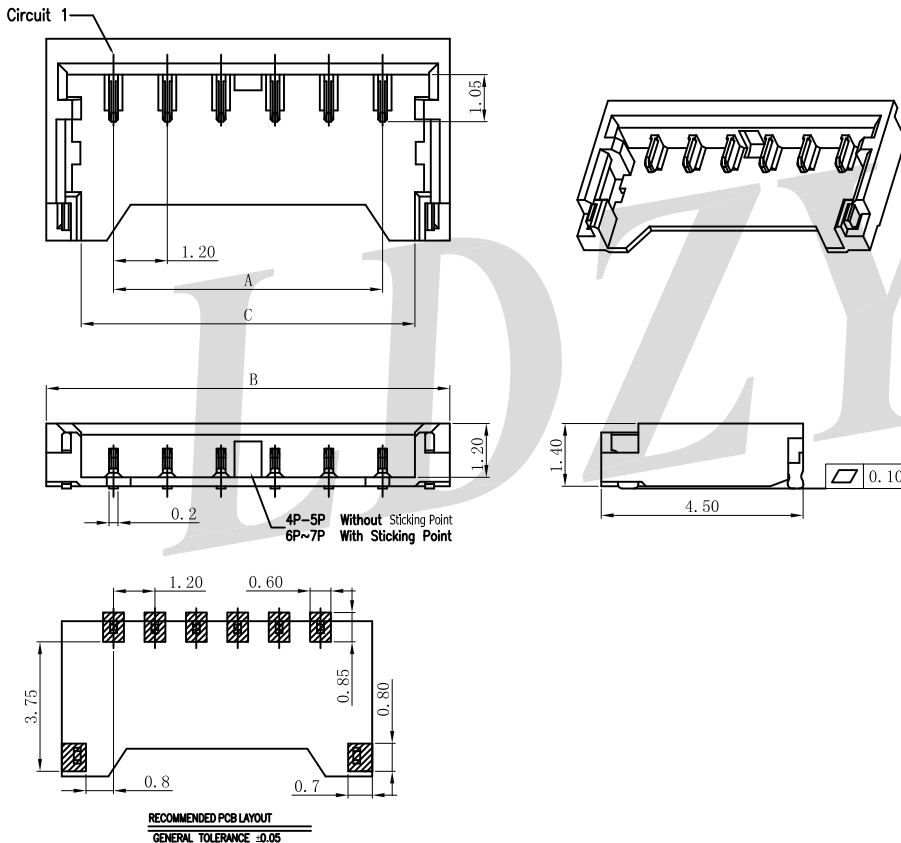
- *Material: Phosphor Bronze/Gold flash
- *Mates with LDZY A1201 series Housing

Ordering Information & Specifications

Part No	Wire Range	Insulation O.D.	Material	Finish	Qty/reel
A1201TF-PG1	AWG#30-#36	0.75mm(max)	Phosphor Bronze	Gold flash	15,000pcs

A1201WRS-NP-L0BKG

1.20mm Pitch 90° SMT Single Row Wafer



Reference Informations:

- *Material: PIN: Brass/Gold-flash
Solder Tabs: Brass/Tin-plated
Wafer: LCP, UL94V-0 / Black
- *Suitable LDZY A1201 series Housing

Ordering Information & Dimensions

Poles	Dimensions (mm)		
	A	B	C
02	1.20	4.20	2.64
03	2.40	5.40	3.84
04	3.60	6.60	5.04
05	4.80	7.80	6.24
06	6.00	9.00	7.44
07	7.20	10.20	8.64