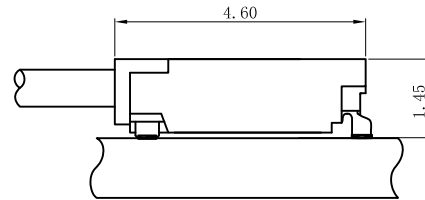
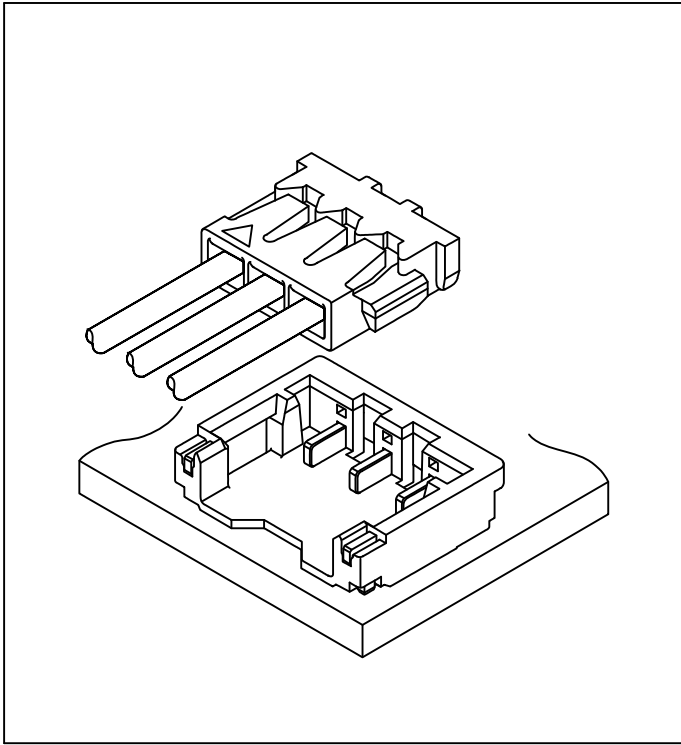


SPECIFICATIONS:

- Voltage Rating: 50V AC/DC
- Current Rating: 2A AC/DC
- Withstanding Voltage: 500V AC/Minute
- Temperature Range: -25°C~+85°C
- Insulation Resistance: 100MΩ Min.
- Contact Resistance: 10mΩ Max.
- Applicable Wire Range: AWG#28~32.

Assembly Layout:



A1203H-NP-N0XX0

1.20mm Pitch Single Row Housing

Reference Informations:

*Material:

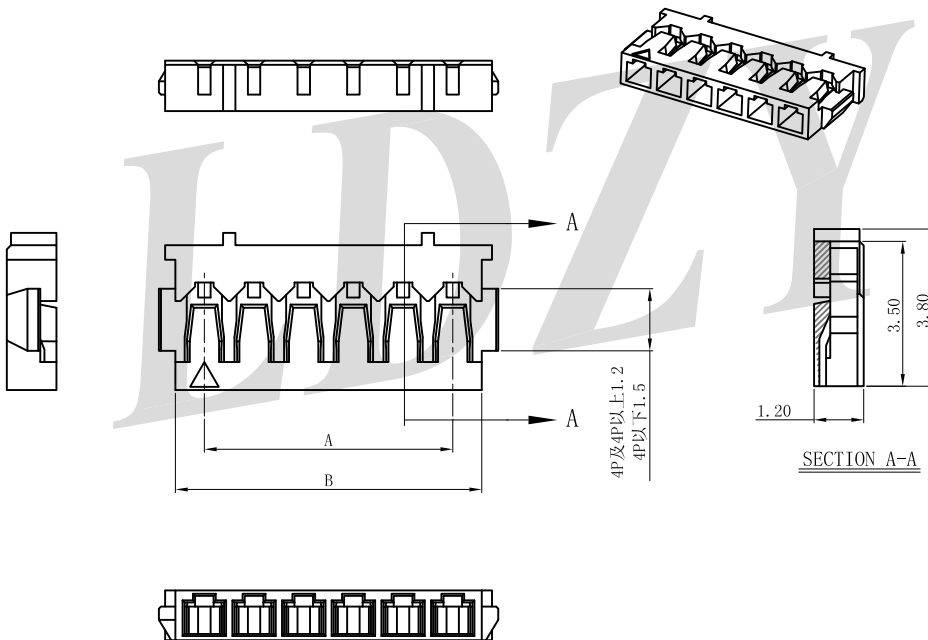
Housing: PA66 UL94V-0/White or Black

*Suitable LDZY A1203 series Terminal

*Mates with LDZY A1203 series Wafer

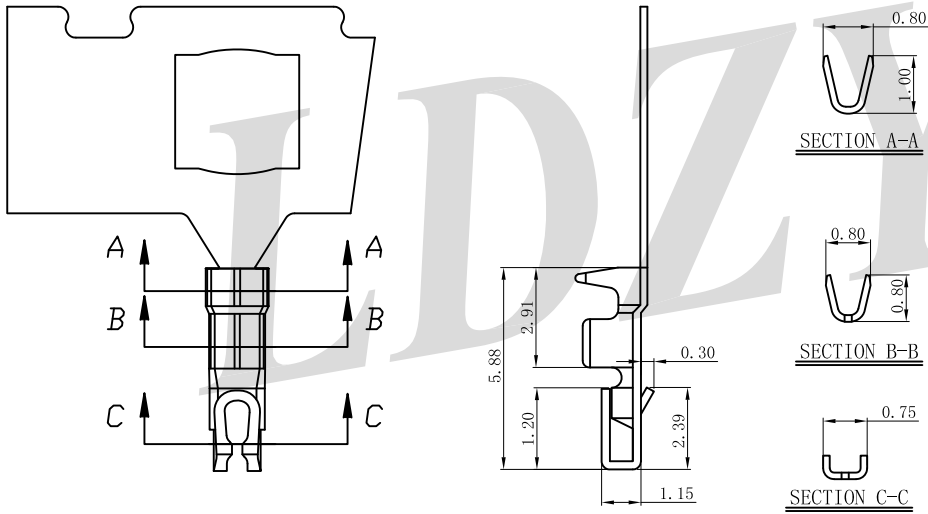
Ordering Information & Dimensions

Poles	Dimensions (mm)	
	A	B
1	/	1.40
2	1.20	2.60
3	2.40	3.80
4	3.60	5.00
5	4.80	6.20
6	6.00	7.40
7	7.20	8.60
8	8.40	9.80
9	9.60	11.00
10	10.80	12.20
11	12.00	13.40
12	13.20	14.60
13	14.40	15.80
14	15.60	17.00
15	16.80	18.20



A1203TF-PG1

1.20mm Pitch Terminal



Reference Informations:

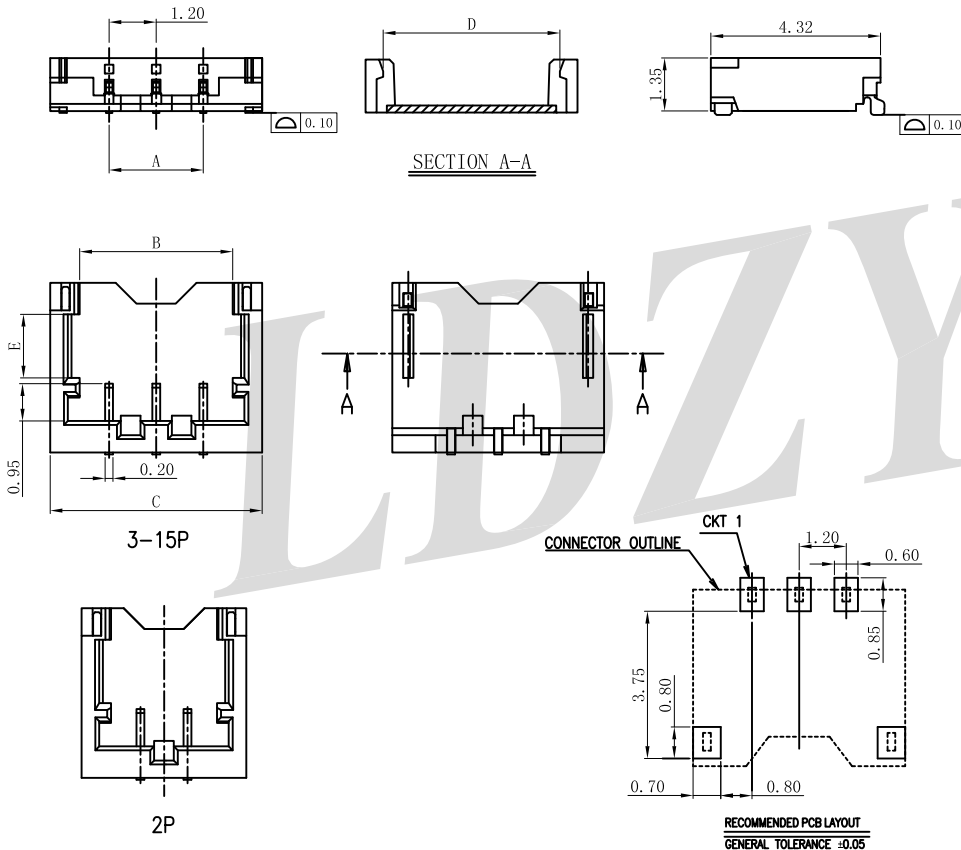
- *Material: Phosphor Bronze/Gold-flash
- *Mates with LDZY A1203 series Housing

Ordering Information & Specifications

Part No	Wire Range	Insulation O.D.	Material	Finish	Qty/reel
A1203TF-PG1	AWG#28-#32	0.38-0.63mm	Phosphor Bronze	Gold-flash	15,000pcs

A1203WRS-NP-XXNAG

1.20mm Pitch 90° SMT Single Row Wafer



Reference Informations:

- *Material: Phosphor Bronze /Gold-flash
- PIN: Phosphor Bronze /Gold-flash
- Solder Tabs: Phosphor Bronze/Tin-plated
- Wafer: PA9T,UL94V-0 / Natrual
- LCP,UL94V-0 / Natrual
- *Suitable LDZY A1203 series Housing

Ordering Information & Dimensions

Poles	Dimensions (mm)				
	A	B	C	D	E
2	1.20	2.70	4.20	3.20	1.50
3	2.40	3.90	5.40	4.40	1.50
4	3.60	5.10	6.60	5.60	1.20
5	4.80	6.30	7.80	6.80	1.20
6	6.00	7.50	9.00	8.00	1.20
7	7.20	8.70	10.20	9.20	1.20
8	8.40	9.90	11.40	10.40	1.20
9	9.60	11.10	12.60	11.60	1.20
10	10.80	12.30	13.80	12.80	1.20
11	12.00	13.50	15.00	14.00	1.20
12	13.20	14.70	16.20	15.20	1.20
13	14.40	15.90	17.40	16.40	1.20
14	15.60	17.10	18.60	17.60	1.20
15	16.80	18.30	19.80	18.80	1.20