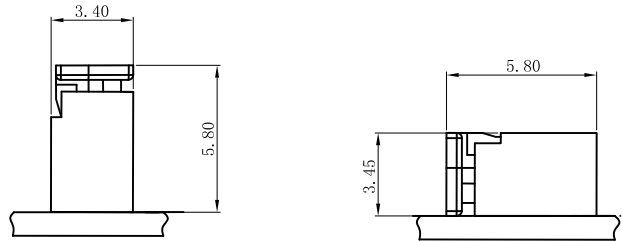
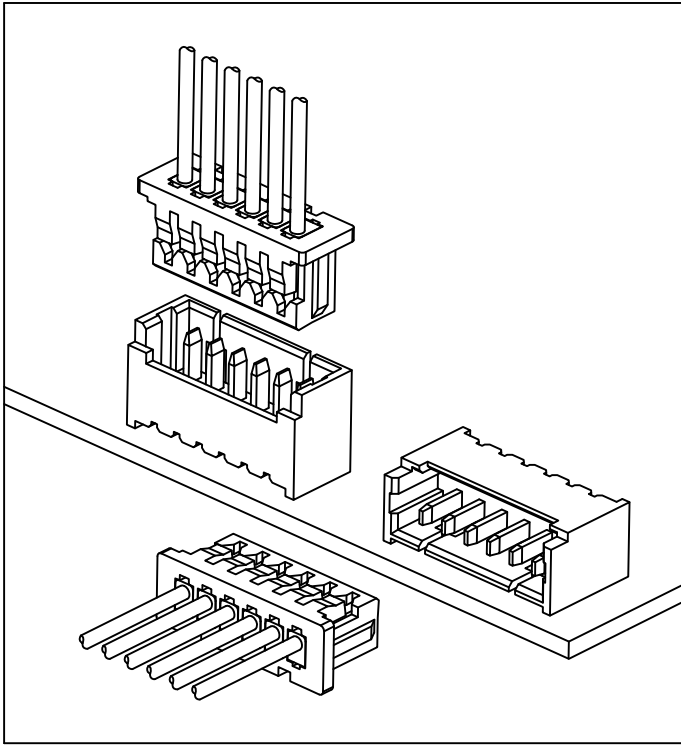


SPECIFICATIONS:

Voltage Rating: 125V AC/DC
 Current Rating: 1A AC/DC
 Withstanding Voltage: 500V AC/Minute
 Temperature Range: -25°C~+85°C
 Insulation Resistance: 100MΩ Min.
 Contact Resistance: 20mΩ Max.
 Applicable Wire Range: AWG#28~32.

Assembly Layout:



A1250H-NP-N0NA

1.25mm Pitch Single Row Housing

Reference Informations:

*Material:

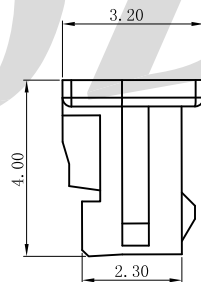
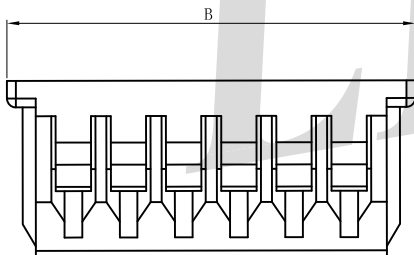
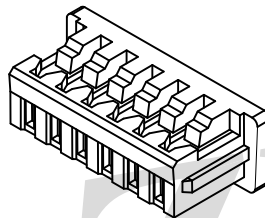
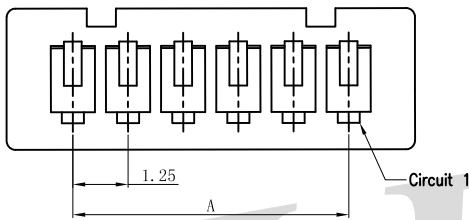
Housing: PA66 UL94V-0/Natural

*Suitable LDZY A1250 series Terminal

*Mates with LDZY A1250 series Wafer

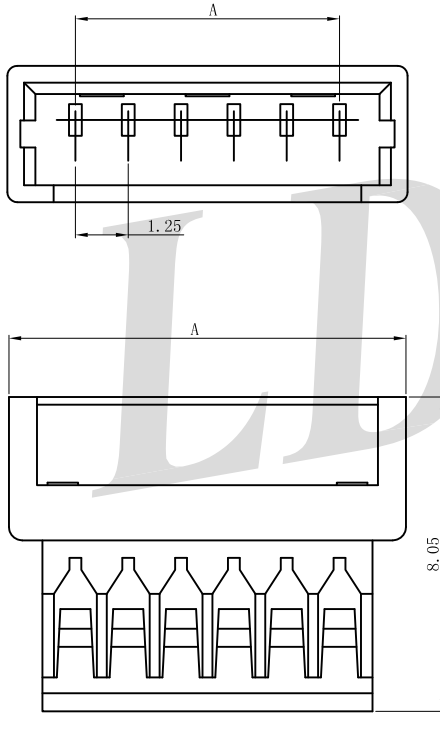
Ordering Information & Dimensions

Poles	Dimensions (mm)	
	A	B
02	1.25	4.25
03	2.50	5.50
04	3.75	6.75
05	5.00	8.00
06	6.25	9.25
07	7.50	10.50
08	8.75	11.75
09	10.00	13.00
10	11.25	14.25
11	12.50	15.50
12	13.75	16.75
13	15.00	18.00
14	16.25	19.25
15	17.50	20.50
16	18.75	21.75
17	20.00	23.00
18	21.25	24.25



A1250HM-NP-N0NA

1.25mm Pitch Single Row Housing



Reference Informations:

*Material:

Housing: PA66 UL94V-0/Natural

*Suitable LDZY A1250 series Terminal

*Mates with LDZY A1250 Female Housing

Ordering Information & Dimensions

Poles	Dimensions (mm)	
	A	B
02	1.25	4.25
03	2.50	5.50
04	3.75	6.75
05	5.00	8.00
06	6.25	9.25
07	7.50	10.50
08	8.75	11.75
09	10.00	13.00
10	11.25	14.25
11	12.50	15.50
12	13.75	16.75
13	15.00	18.00
14	16.25	19.25
15	17.50	20.50

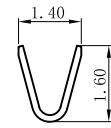
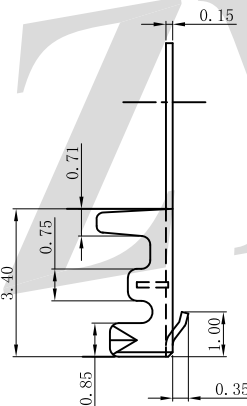
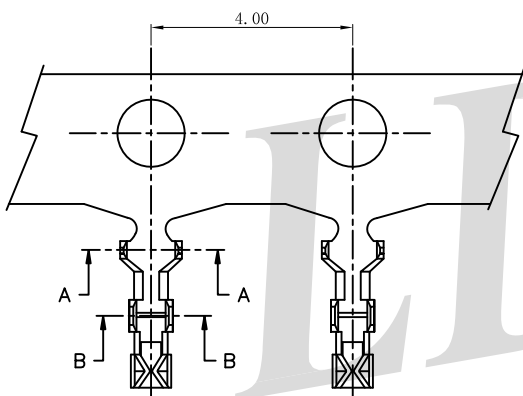
A1250TF-PXXA

1.25mm Pitch Terminal

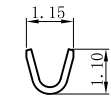
Reference Informations:

*Material: Phosphor Bronze/Tin-plated or Gold flas

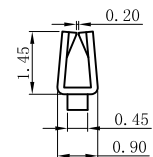
*Mates with LDZY A1250 series Housing



SEC:A-A



SEC:B-B



Ordering Information & Specifications

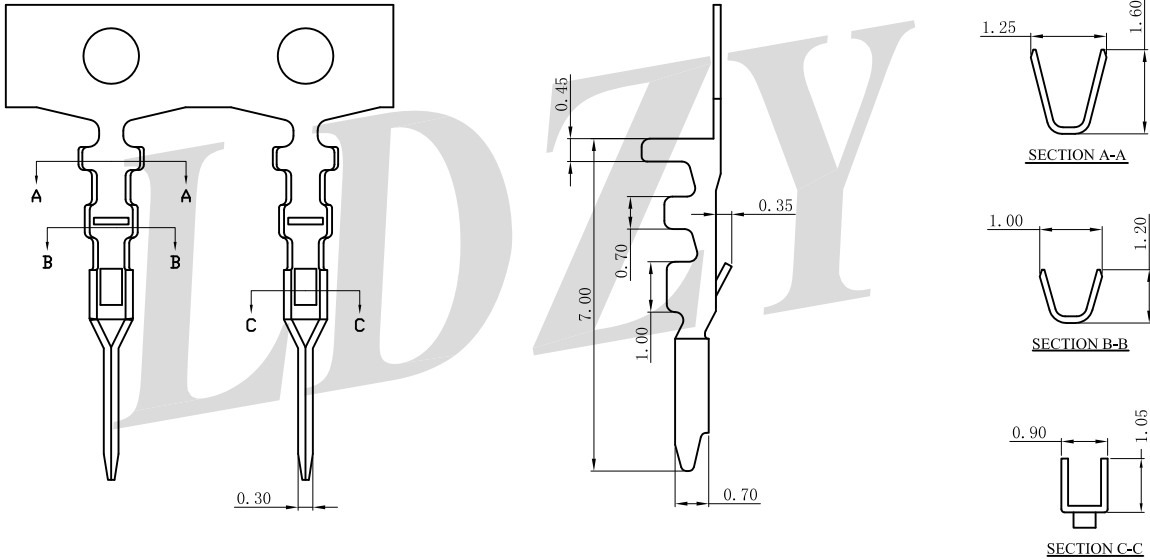
Part No	Wire Range	Insulation O.D.	Material	Finish	Qty/reel
A1250TF-PT1A	AWG#28-#32	1.0mm(max)	Phosphor Bronze	Tin-plated	20,000pcs
A1250TF-PG1A	AWG#28-#32	1.0mm(max)	Phosphor Bronze	Gold flash	20,000pcs

A1250TM-PT1

1.25mm Pitch Terminal

Reference Informations:

- *Material: Phosphor Bronze/Tin-plated
- *Mates with LDZY A1250 series Housing



Ordering Information & Specifications

Part No	Wire Range	Insulation O.D.	Material	Finish	Qty/reel
A1250TM-PT1	AWG#28-#32	1.00mm(max)	Phosphor Bronze	Tin-plated	10,000pcs

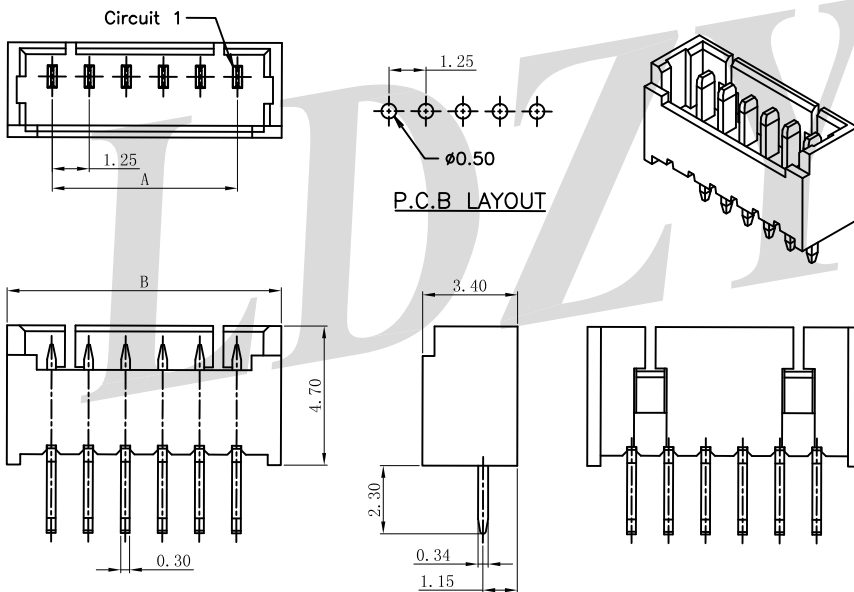
A1250WV-NP-6TBGT

1.25mm Pitch Single Row Wafer

Reference Informations:

- *Material:
PIN: Phosphor Bronze /Tin-plated
Wafer: PA6T,UL94V-0 / Beige
- *Suitable LDZY A1250 series Housing

Ordering Information & Dimensions



Poles	Dimensions (mm)	
	A	B
02	1.25	4.25
03	2.50	5.50
04	3.75	6.75
05	5.00	8.00
06	6.25	9.25
07	7.50	10.50
08	8.75	11.75
09	10.00	13.00
10	11.25	14.25
11	12.50	15.50
12	13.75	16.75
13	15.00	18.00
14	16.25	19.25
15	17.50	20.50
16	18.75	21.75
17	20.00	23.00
18	21.25	24.25

A1250WVS-NP-XXBGT

1.25mm Pitch 180° SMT Single Row Wafer

Reference Informations:

*Material:

PIN: Phosphor Bronze /Tin-plated

Solder Tabs: Brass/Tin-plated

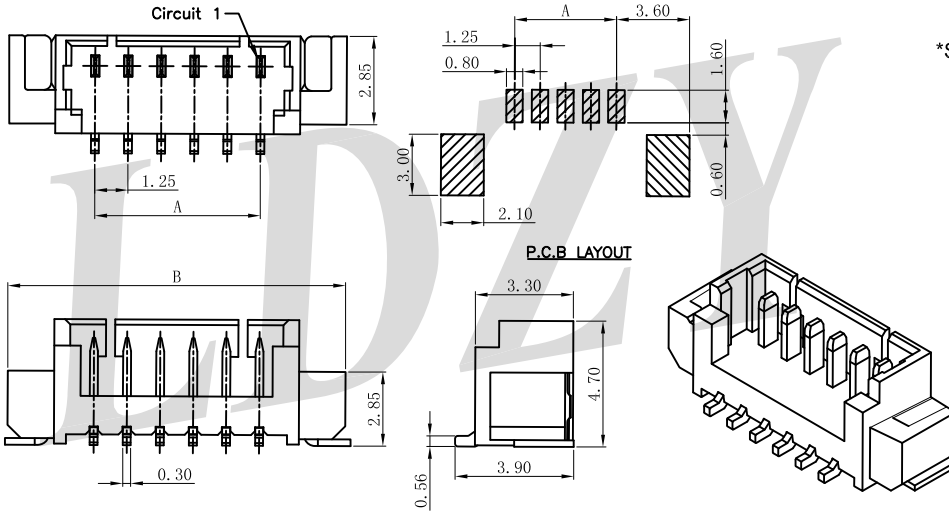
Wafer: PA9T,UL94V-0 /Beige

PA6T,UL94V-0 /Natural

*Suitable LDZY A1250 series Housing

Ordering Information & Dimensions

Poles	Dimensions (mm)	
	A	B
02	1.25	7.25
03	2.50	8.50
04	3.75	9.75
05	5.00	11.00
06	6.25	12.25
07	7.50	13.50
08	8.75	14.75
09	10.00	16.00
10	11.25	17.25
11	12.50	18.50
12	13.75	19.75
13	15.00	21.00
14	16.25	22.50
15	17.50	23.50
16	18.75	24.75
17	20.00	26.00
18	21.25	27.25



A1250WR-NP-6TBGT

1.25mm Pitch Single Row Wafer

Reference Informations:

*Material:

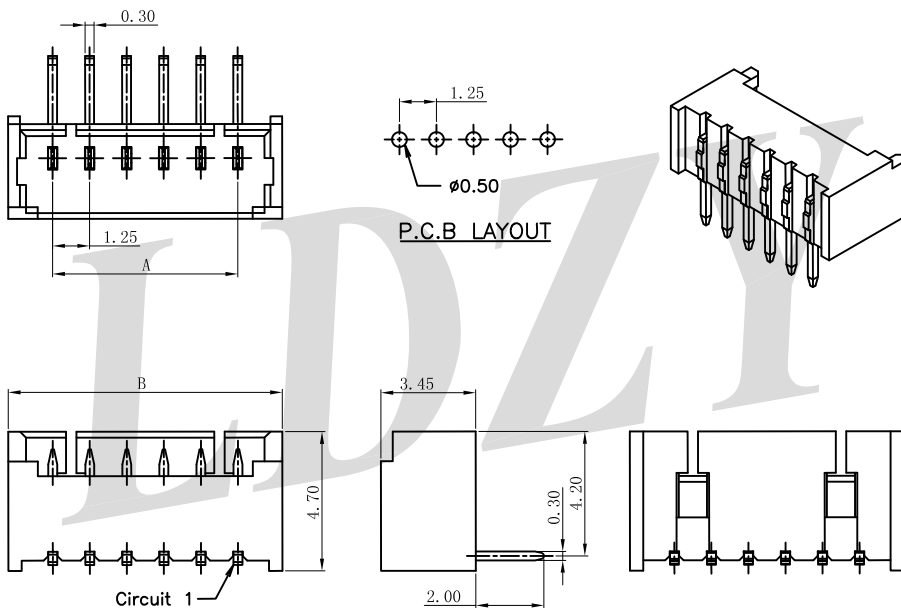
PIN: Phosphor Bronze /Tin-plated

Wafer: PA6T,UL94V-0 / Beige

*Suitable LDZY A1250 series Housing

Ordering Information & Dimensions

Poles	Dimensions (mm)	
	A	B
02	1.25	4.25
03	2.50	5.50
04	3.75	6.75
05	5.00	8.00
06	6.25	9.25
07	7.50	10.50
08	8.75	11.75
09	10.00	13.00
10	11.25	14.25
11	12.50	15.50
12	13.75	16.75
13	15.00	18.00
14	16.25	19.25
15	17.50	20.50
16	18.75	21.75
17	20.00	23.00
18	21.25	24.25



A1250WRS-NP-XXNAT

1.25mm Pitch 90° SMT Single Row Wafer

Reference Informations:

***Material:**

PIN: Phosphor Bronze /Tin-plated

Solder Tabs: Phosphor Bronze/Tin-plated

Wafer: PA9T/PA46,UL94V-0 / Natrual

*Suitable LDZY A1250 series Housing

Ordering Information & Dimensions

Poles	Dimensions (mm)	
	A	B
02	1.25	7.30
03	2.50	8.55
04	3.75	9.80
05	5.00	11.05
06	6.25	12.30
07	7.50	13.55
08	8.75	14.80
09	10.00	16.05
10	11.25	17.30
11	12.50	18.55
12	13.75	19.80
13	15.00	21.05
14	16.25	22.30
15	17.50	23.55
16	18.75	24.80

