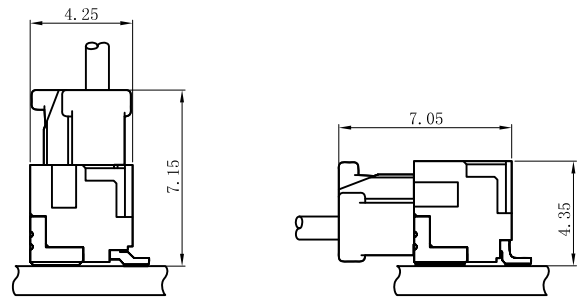


SPECIFICATIONS:

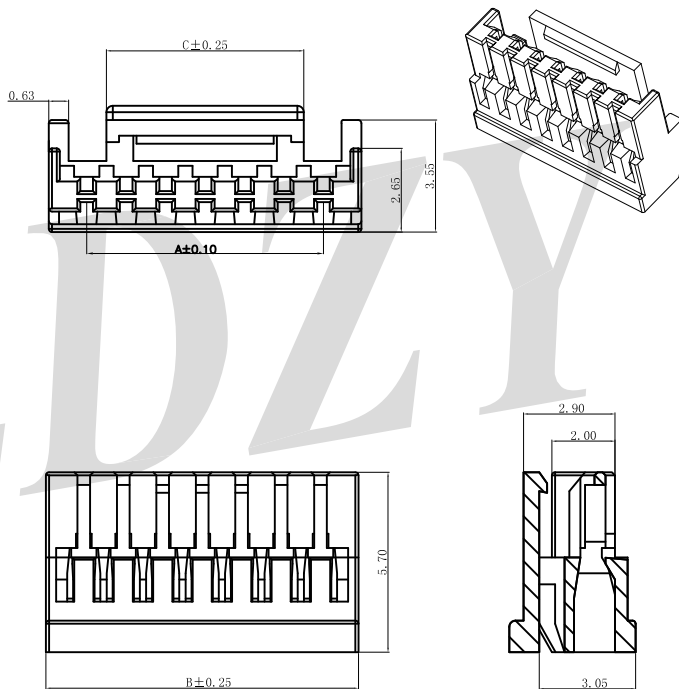
- Voltage Rating: 50V AC/DC
- Current Rating: 1A AC/DC
- Withstanding Voltage: 500V AC/Minute
- Temperature Range: -25°C~+85°C
- Insulation Resistance: 100MΩ Min.
- Contact Resistance: 30mΩ Max.
- Applicable Wire Range: AWG#26~32.

Assembly Layout:



A1257H-NP-N0XX

1.25mm Pitch Single Row Housing



Reference Informations:

*Material:

Housing: PA66 UL94V-0/Black or Natrual

*Suitable LDZY A1257 series Terminal

*Mates with LDZY A1257 series Wafer

Ordering Information & Dimensions

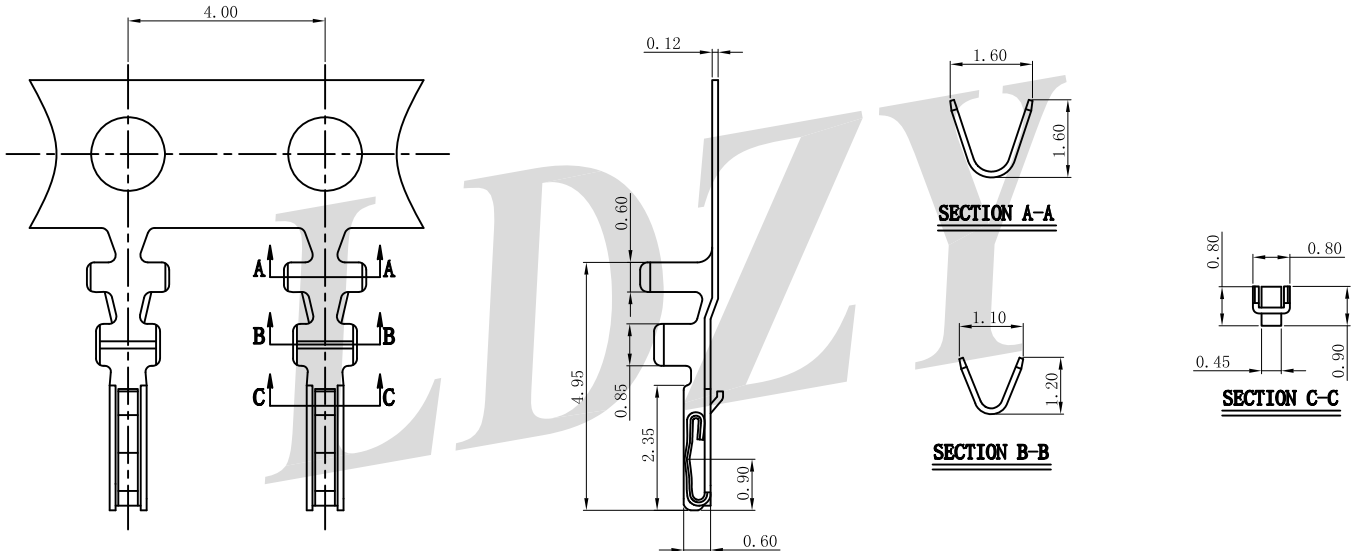
Poles	Dimensions (mm)		
	A	B	C
02	1.25	3.65	2.00
03	2.50	4.90	3.00
04	3.75	6.15	4.25
05	5.00	7.40	4.25
06	6.25	8.65	6.25
07	7.50	9.90	6.25
08	8.75	11.15	6.25
09	10.00	12.40	6.25
10	11.25	13.65	8.25
11	12.50	14.90	8.25
12	13.75	16.15	8.25
13	15.00	17.40	8.25
14	16.25	18.65	8.25
15	17.50	19.90	8.25
16	23.75	21.15	8.25

A1257TF-PXX

1.25mm Pitch Terminal

Reference Informations:

- *Material: Phosphor Bronze/Tin-plated or Gold Flash
- *Mates with LDZY A1257 series Housing

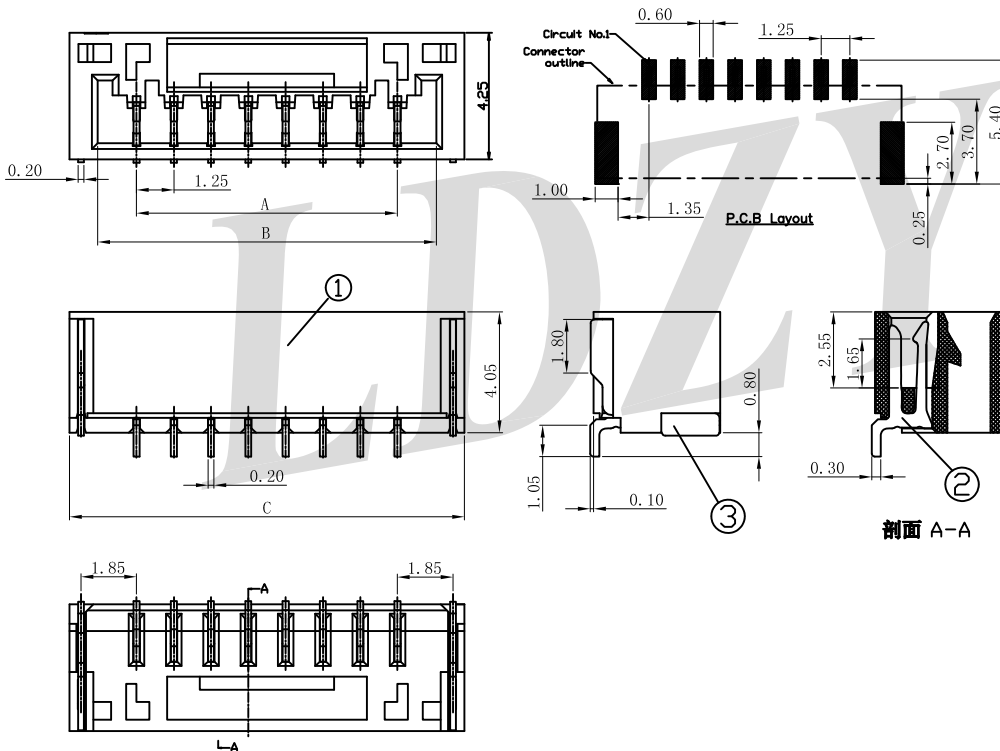


Ordering Information & Specifications

Part No	Wire Range	Insulation O.D.	Material	Finish	Qty/reel
A1257TF-PT1	AWG#26-#32	0.9mm(max)	Phosphor Bronze	Tin-plated	15,000pcs
A1257TF-PG1	AWG#26-#32	0.9mm(max)	Phosphor Bronze	Gold Flash	15,000pcs

A1257WRS-NP-9TNAT

1.25mm Pitch 90° SMT Single Row Wafer



Reference Informations:

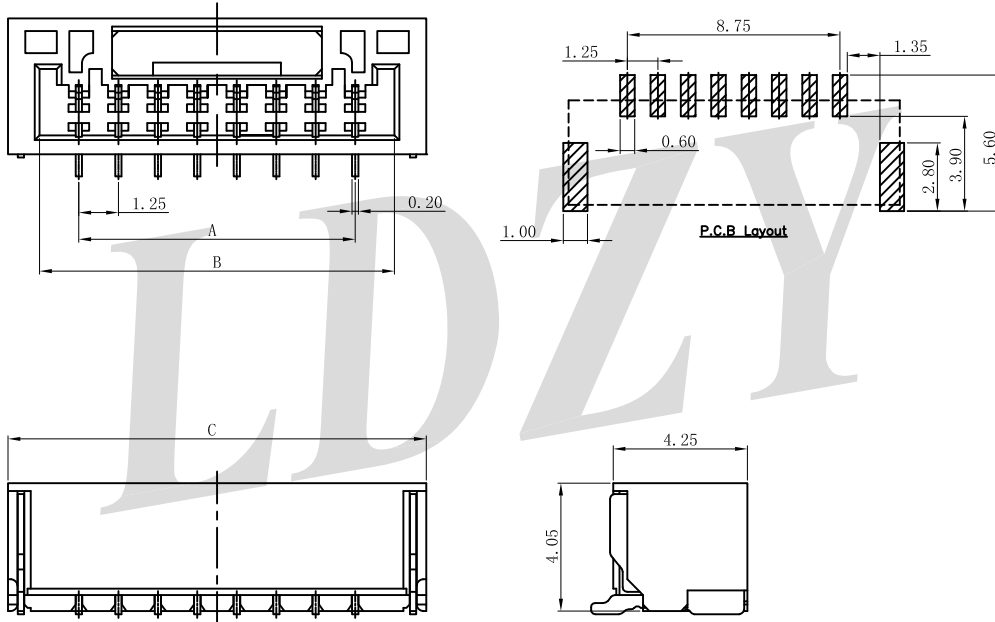
- *Material:
 - PIN: Phosphor Bronze/Tin-plated
 - Solder Tabs: Phosphor Bronze/Tin-plated
 - Wafer: PA9T, UL94V-0 / Natrual
- *Suitable LDZY A1257 series Housing

Ordering Information & Dimensions

Poles	Dimensions (mm)		
	A	B	C
02	1.25	3.85	5.75
03	2.50	5.10	7.00
04	3.75	6.35	8.25
05	5.00	7.60	9.50
06	6.25	8.85	10.75
07	7.50	10.10	12.00
08	8.75	11.35	13.25
09	10.00	12.60	14.50
10	11.25	13.85	15.75
11	12.50	15.10	17.00
12	13.75	16.35	18.25
13	15.00	17.40	19.50
14	16.25	18.85	20.75
15	17.50	20.10	22.00

A1257WVS-NP-6TNAT

1.25mm Pitch Single Row Wafer



Reference Informations:

*Material:

PIN: Phosphor Bronze/Tin-plated

Solder Tabs: Brass/Tin-plated

Wafer: PA6T,UL94V-0 / Natrual

*Suitable LDZY A1257 series Housing

Ordering Information & Dimensions

Poles	Dimensions (mm)		
	A	B	C
02	1.25	3.85	5.75
03	2.50	5.10	7.00
04	3.75	6.35	8.25
05	5.00	7.60	9.50
06	6.25	8.85	10.75
07	7.50	10.10	12.00
08	8.75	11.35	13.25
09	10.00	12.60	14.50
10	11.25	13.85	15.75
11	12.50	15.10	17.00
12	13.75	16.35	18.25
13	15.00	17.40	19.50
14	16.25	18.85	20.75
15	17.50	20.10	22.00