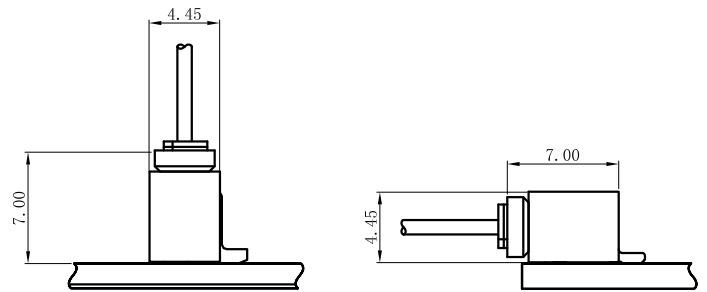
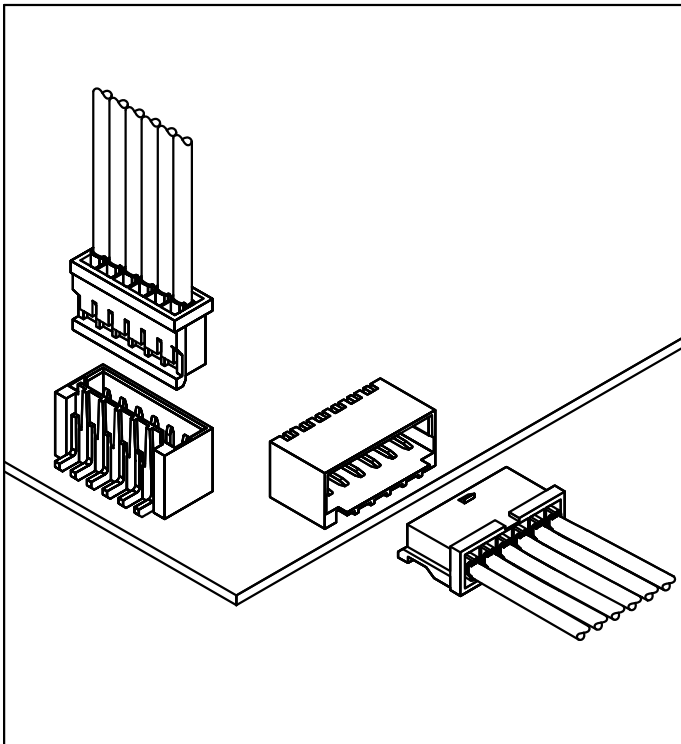


SPECIFICATIONS:

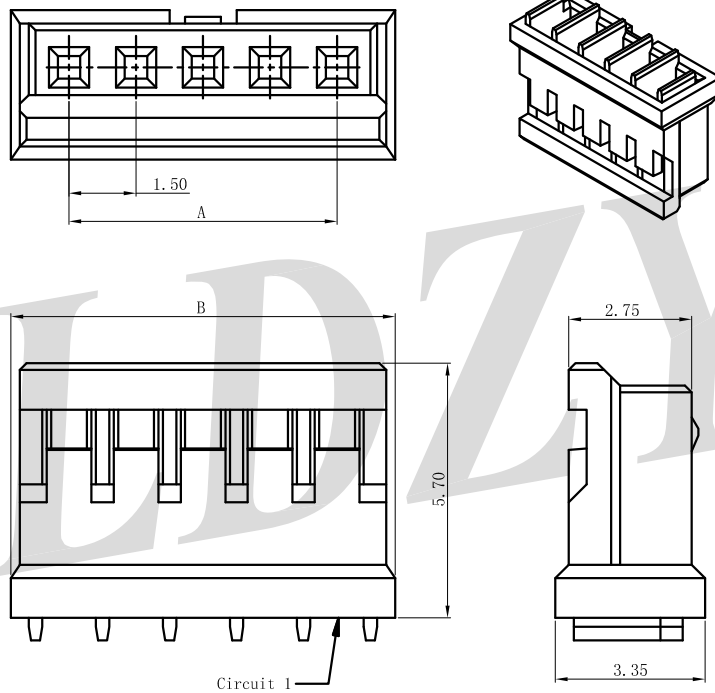
Voltage Rating: 350V AC/DC
 Current Rating: 3A AC/DC
 Withstanding Voltage: 500V AC/Minute
 Temperature Range: -25°C~+85°C
 Insulation Resistance: 1000MΩ Min.
 Contact Resistance: 20mΩ Max.
 Applicable Wire Range: AWG#24~28.

Assembly Layout:



A1501H-NP-XXNA

1.50mm Pitch Single Row Housing



Reference Informations:

*Material:

Housing: PA66/PBT UL94V-0/Natural

*Suitable LDZY A1501 series Terminal

*Mates with LDZY A1501 series Wafer

Ordering Information & Dimensions

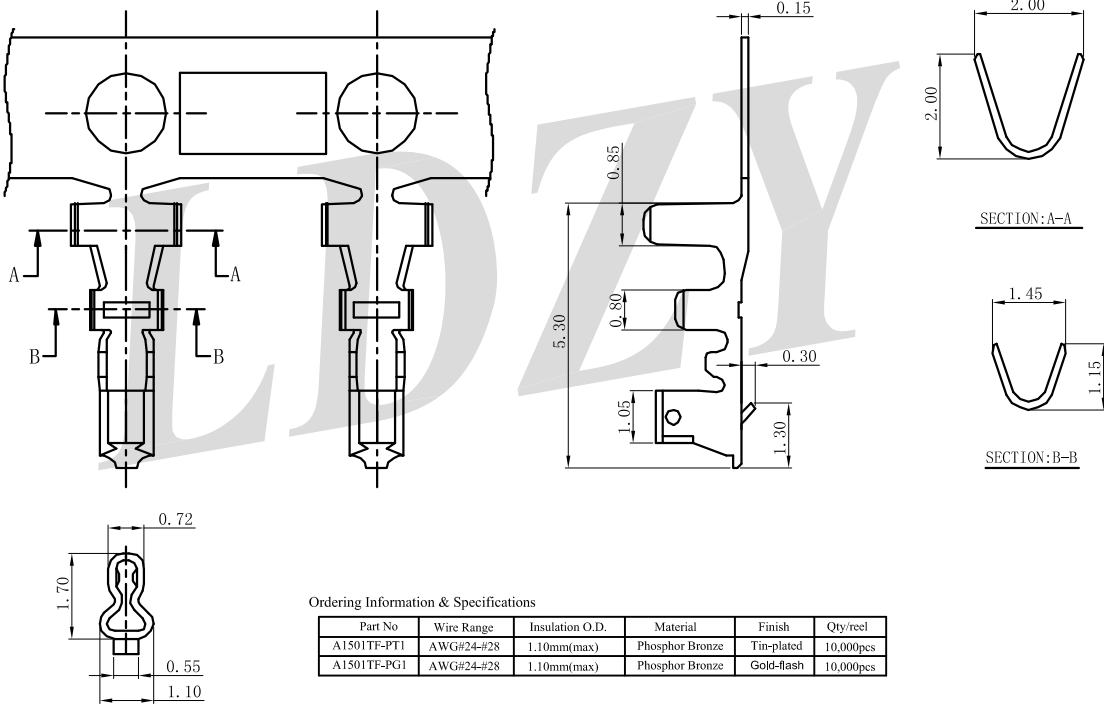
Poles	Dimensions (mm)	
	A	B
02	1.50	4.10
03	3.00	5.60
04	4.50	7.10
05	6.00	8.60
06	7.50	10.10
07	9.00	11.60
08	10.50	13.10
09	12.00	14.60
10	13.50	16.10
11	15.00	17.60
12	16.50	19.10
13	18.00	20.60
14	19.50	22.10
15	21.00	23.60

A1501TF-PXX

1.50mm Pitch Terminal

Reference Informations:

- *Material: Phosphor Bronze/Tin-plated or Gold-flash
- *Mates with LDZY A1501 series Housing



Ordering Information & Specifications

Part No	Wire Range	Insulation O.D.	Material	Finish	Qty/reel
A1501TF-PT1	AWG#24-#28	1.10mm(max)	Phosphor Bronze	Tin-plated	10,000pcs
A1501TF-PG1	AWG#24-#28	1.10mm(max)	Phosphor Bronze	Gold-flash	10,000pcs

A1501WRS-NP-XXNAT

1.50mm Pitch 90° SMT Single Row Wafer

Reference Informations:

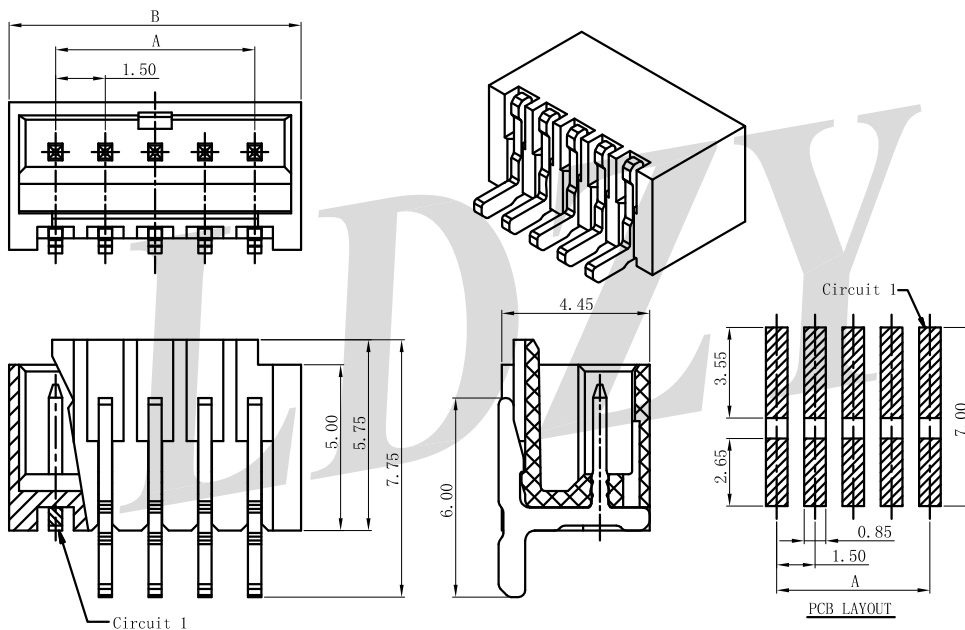
*Material:

PIN: Brass/Tin-plated

Wafer: PA9T/LCP, UL94V-0 / Natrual

*Suitable LDZY A1501 series Housing

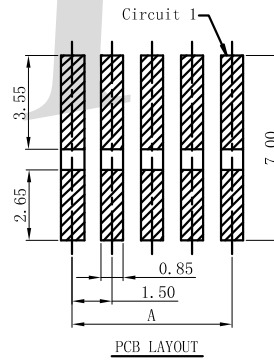
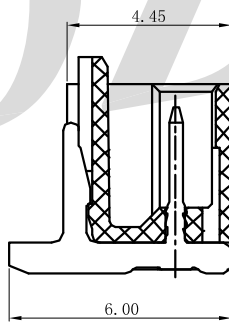
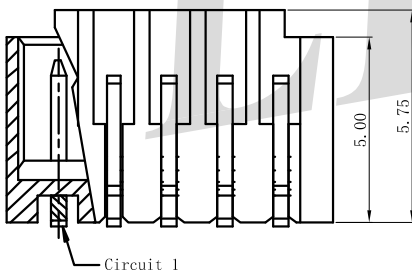
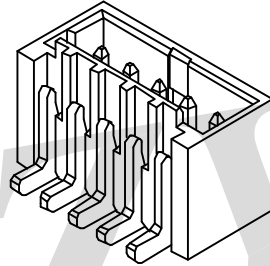
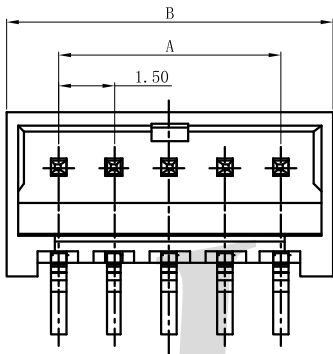
Ordering Information & Dimensions



Poles	Dimensions (mm)	
	A	B
02	1.50	4.30
03	3.00	5.80
04	4.50	7.30
05	6.00	8.80
06	7.50	10.30
07	9.00	11.80
08	10.50	13.30
09	12.00	14.80
10	13.50	16.30
11	15.00	17.80
12	16.50	19.30
13	18.00	20.80
14	19.50	22.30
15	21.00	23.80

A1501WVS-NP-6TNAT

1.50mm Pitch SMT Single Row Wafer



Reference Informations:

*Material:

PIN: Brass/Tin-plated

Wafer: PA6T,UL94V-0 / Natrual

*Suitable LDZY A1501 series Housing

Ordering Information & Dimensions

Poles	Dimensions (mm)	
	A	B
02	1.50	4.30
03	3.00	5.80
04	4.50	7.30
05	6.00	8.80
06	7.50	10.30
07	9.00	11.80
08	10.50	13.30
09	12.00	14.80
10	13.50	16.30
11	15.00	17.80
12	16.50	19.30
13	18.00	20.80
14	19.50	22.30
15	21.00	23.80