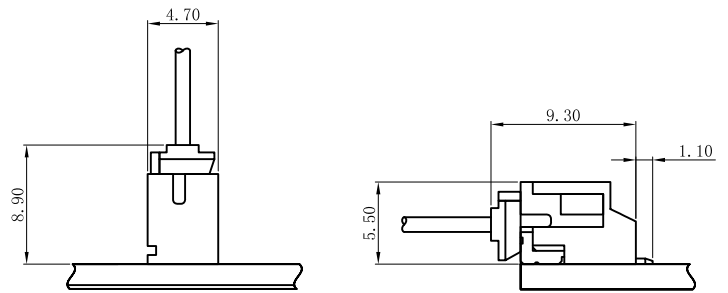
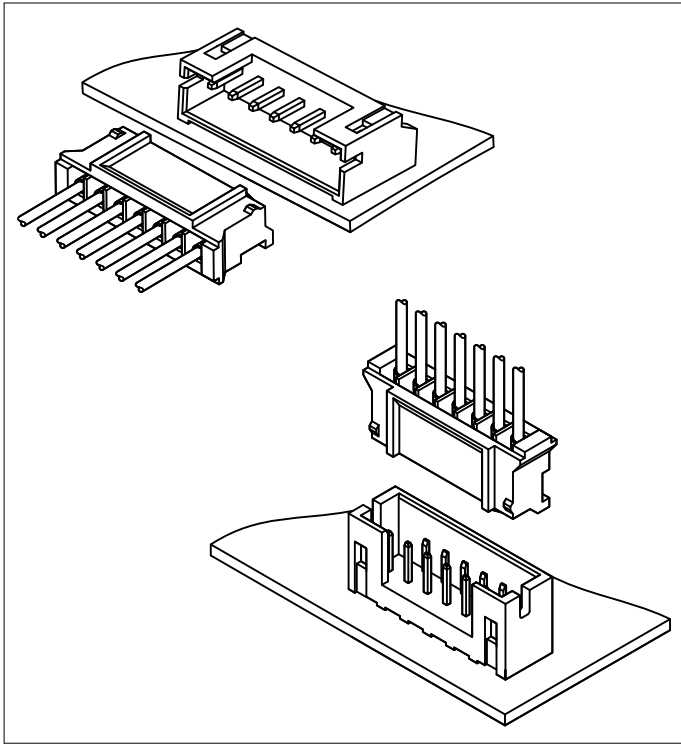


SPECIFICATIONS:

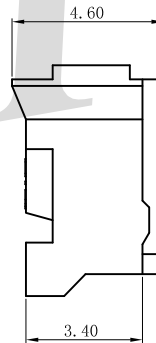
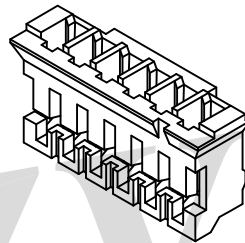
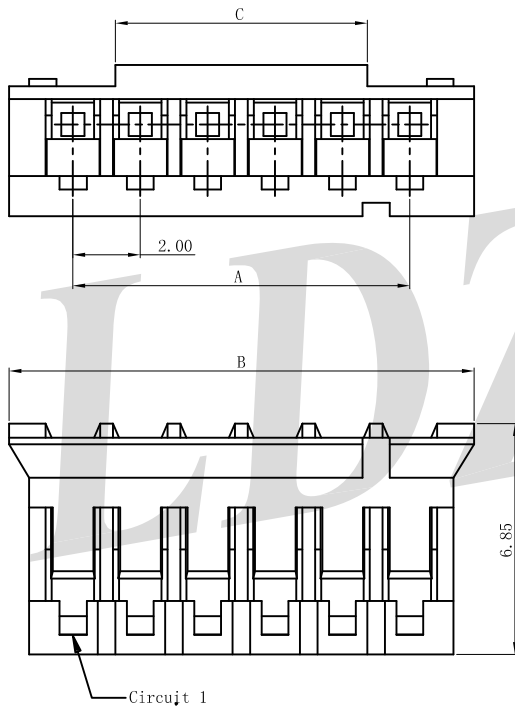
Voltage Rating: 100V AC/DC
 Current Rating: 2A AC/DC
 Withstanding Voltage: 800V AC/Minute
 Temperature Range: -25°C~+85°C
 Insulation Resistance: 1000MΩ Min.
 Contact Resistance: 10mΩ Max.
 Applicable Wire Range: AWG#24~30.

Assembly Layout:



A2001H-NP-N0XX

2.00mm Pitch Single Row Housing



Reference Informations:

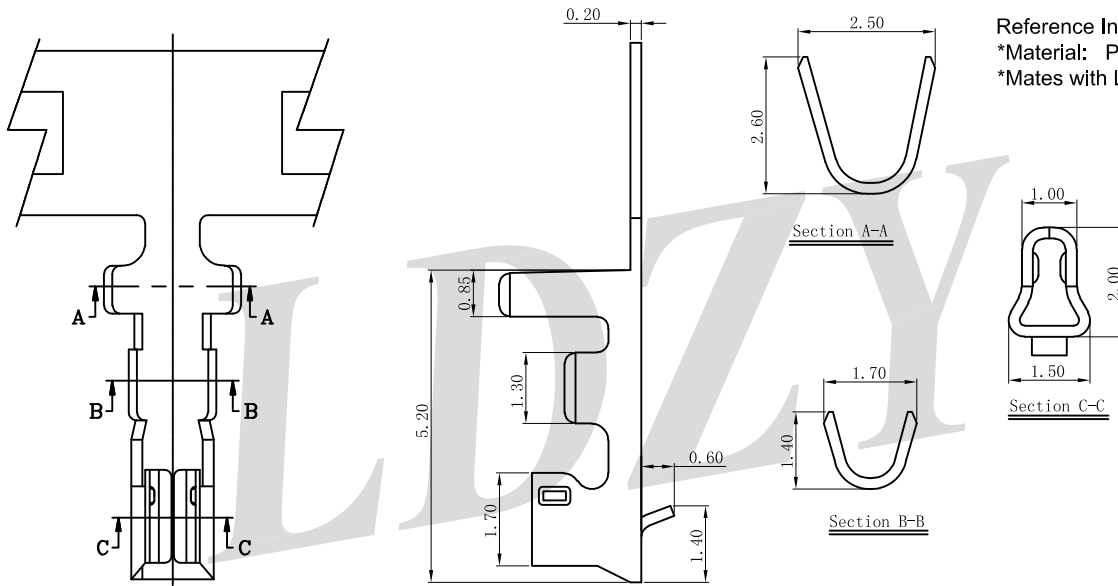
- *Material:
- Housing: PA66 UL94V-0/Natural or Black
- *Suitable LDZY A2001 series Terminal
- *Mates with LDZY A2001 series Wafer

Ordering Information & Dimensions

Poles	Dimensions (mm)		
	A	B	C
02	2.00	5.80	0.50
03	4.00	7.80	1.30
04	6.00	9.80	3.50
05	8.00	11.80	5.50
06	10.00	13.80	7.50
07	12.00	15.80	9.50
08	14.00	17.80	11.50
09	16.00	19.80	13.50
10	18.00	21.80	15.50
11	20.00	23.80	17.50
12	22.00	25.80	19.50
13	24.00	27.80	21.50
14	26.00	29.80	23.50
15	28.00	31.80	25.50
16	30.00	33.80	27.50
17	32.00	35.80	29.50
18	34.00	37.80	31.50

A2001TF-PT1

2.00mm Pitch Terminal



Reference Informations:

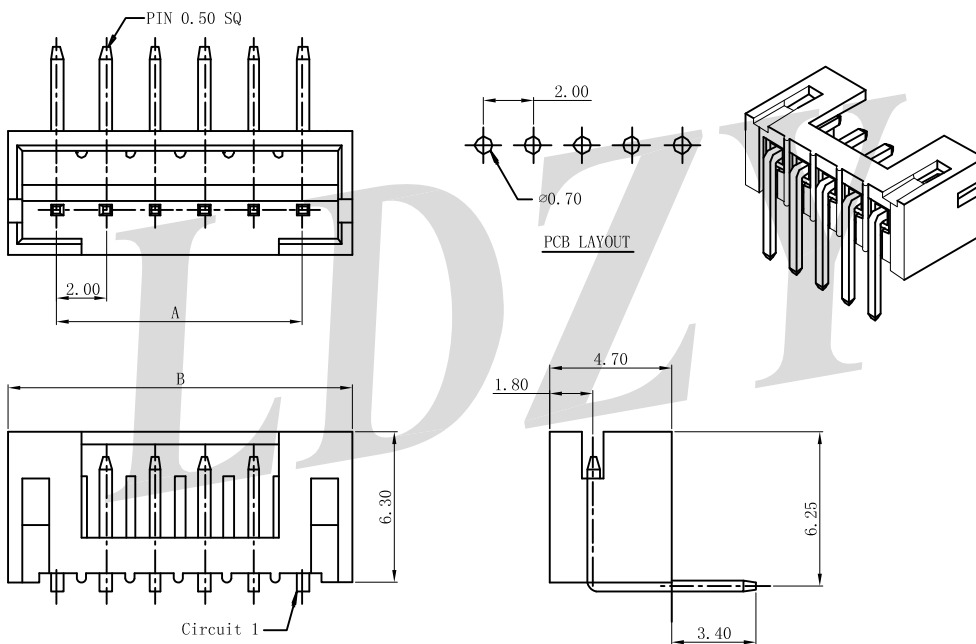
- *Material: Phosphor Bronze/Tin-plated
- *Mates with LDZY A2001 series Housing

Ordering Information & Specifications

Part No	Wire Range	Insulation O.D.	Material	Finish	Qty/reel
A2001TF-PT1	AWG#24-#30	1.50mm(max)	Phosphor Bronze	Tin-plated	11,000pcs

A2001WR-NP-N0NAT

2.00mm Pitch 90° Single Row Wafer



Reference Informations:

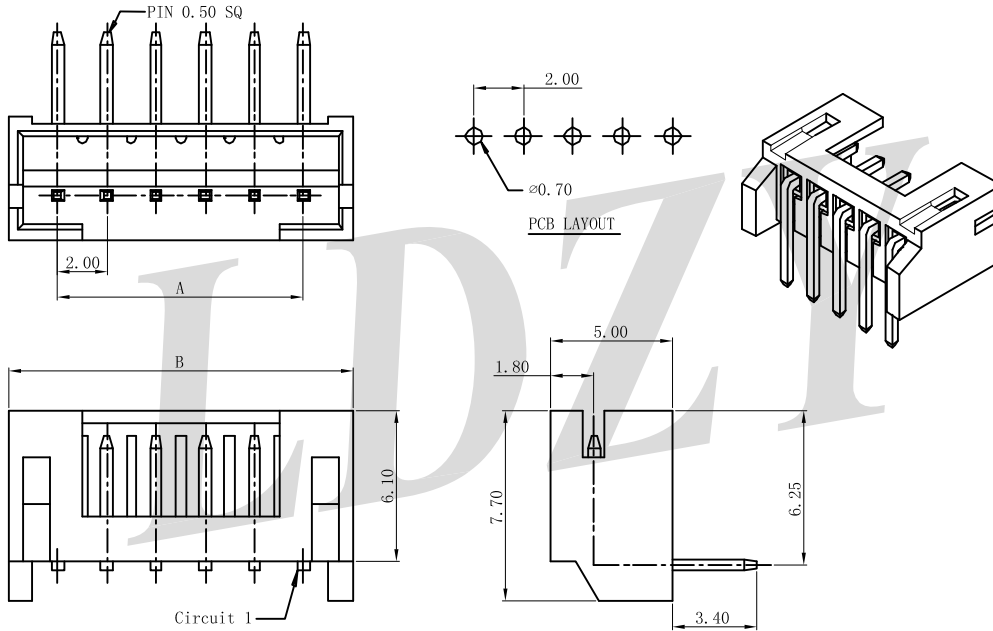
- *Material: PIN: Brass/Tin-plated
- Wafer: PA66, UL94V-0 / Natrual
- *Suitable LDZY A2001 series Housing

Ordering Information & Dimensions

Poles	Dimensions (mm)	
	A	B
2	2.00	6.00
3	4.00	8.00
4	6.00	10.00
5	8.00	12.00
6	10.00	14.00
7	12.00	16.00
8	14.00	18.00
9	16.00	20.00
10	18.00	22.00
11	20.00	24.00
12	22.00	26.00
13	24.00	28.00
14	26.00	30.00
15	28.00	32.00
16	30.00	34.00
17	32.00	36.00
18	34.00	38.00

A2001WRF-NP-N0XXT

2.00mm Pitch 90° Single Row Wafer



Reference Informations:

*Material:

PIN: Brass/Tin-plated

Wafer: PA66,UL94V-0 / White or Black

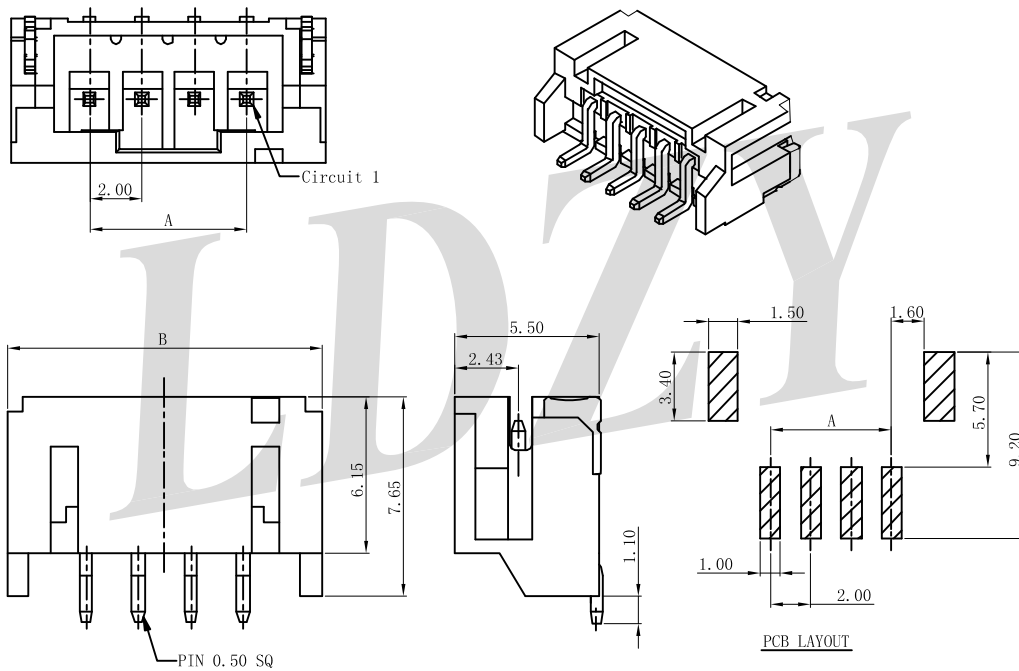
*Suitable LDZY A2001 series Housing

Ordering Information & Dimensions

Poles	Dimensions (mm)	
	A	B
2	2.00	6.00
3	4.00	8.00
4	6.00	10.00
5	8.00	12.00
6	10.00	14.00
7	12.00	16.00
8	14.00	18.00
9	16.00	20.00
10	18.00	22.00
11	20.00	24.00
12	22.00	26.00
13	24.00	28.00
14	26.00	30.00
15	28.00	32.00
16	30.00	34.00
17	32.00	36.00
18	34.00	38.00

A2001WRS-NP-9TNAT

2.00mm Pitch 90° SMT Single Row Wafer



Reference Informations:

*Material:

PIN: Brass/Tin-plated

Solder Tabs: Brass/Tin-plated

Wafer: PA9T,UL94V-0 / Natural

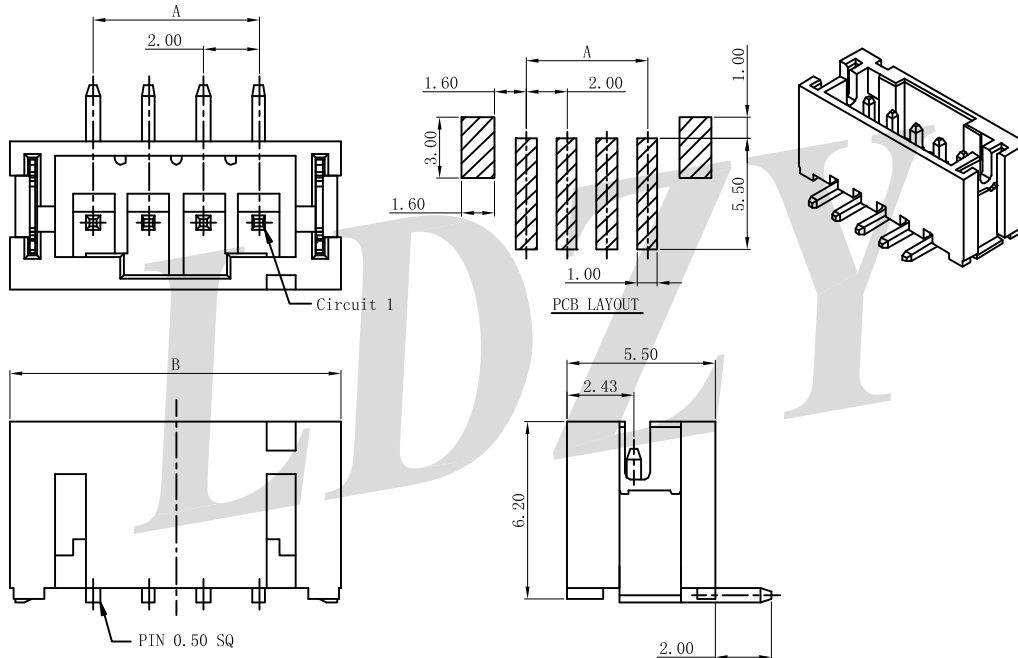
*Suitable LDZY A2001 series Housing

Ordering Information & Dimensions

Poles	Dimensions (mm)	
	A	B
02	2.00	8.00
03	4.00	10.00
04	6.00	12.00
05	8.00	14.00
06	10.00	16.00
07	12.00	18.00
08	14.00	20.00
09	16.00	22.00
10	18.00	24.00
11	20.00	26.00
12	22.00	28.00
13	24.00	30.00
14	26.00	32.00
15	28.00	34.00

A2001WVS-NP-6TNAT

2.00mm Pitch 180° SMT Single Row Wafer



Reference Informations:

*Material:

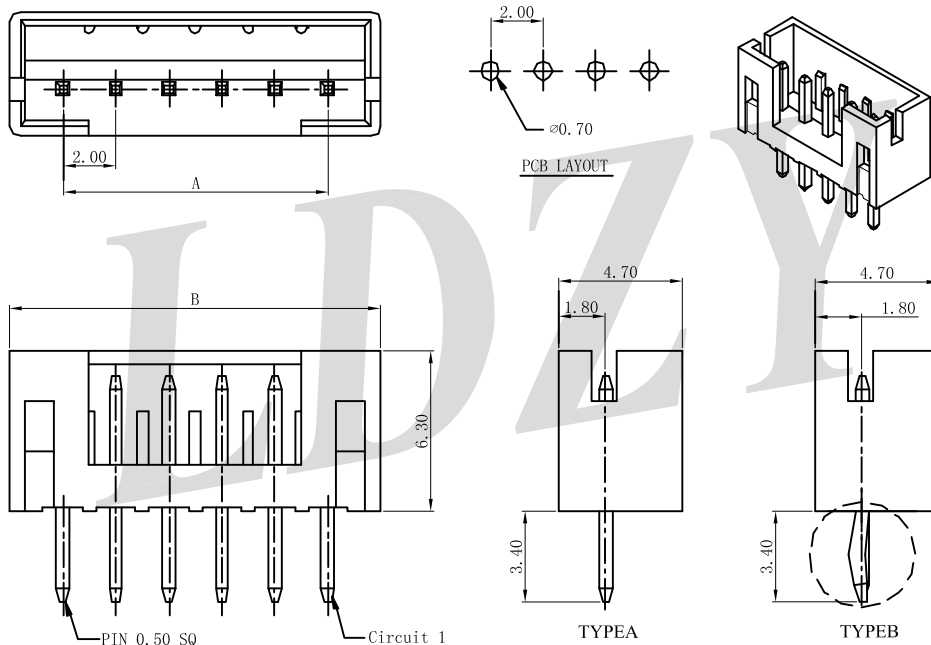
PIN: Brass/Tin-plated
Solder Tabs: Brass/Tin-plated
Wafer: PA6T,UL94V-0 / Natrual

*Suitable LDZY A2001 series Housing
Ordering Information & Dimensions

Poles	Dimensions (mm)	
	A	B
02	2.00	8.00
03	4.00	10.00
04	6.00	12.00
05	8.00	14.00
06	10.00	16.00
07	12.00	18.00
08	14.00	20.00
09	16.00	22.00
10	18.00	24.00
11	20.00	26.00
12	22.00	28.00
13	24.00	30.00
14	26.00	32.00
15	28.00	34.00

A2001WV-NP-NONAT

2.00mm Pitch 180° Single Row Wafer



Reference Informations:

*Material:

PIN: Brass/Tin-plated
Wafer: PA66,UL94V-0 / Natrual

*Suitable LDZY A2001 series Housing
Ordering Information & Dimensions

Poles	Dimensions (mm)	
	A	B
2	2.00	6.00
3	4.00	8.00
4	6.00	10.00
5	8.00	12.00
6	10.00	14.00
7	12.00	16.00
8	14.00	18.00
9	16.00	20.00
10	18.00	22.00
11	20.00	24.00
12	22.00	26.00
13	24.00	28.00
14	26.00	30.00
15	28.00	32.00
16	30.00	34.00
17	32.00	36.00
18	34.00	38.00