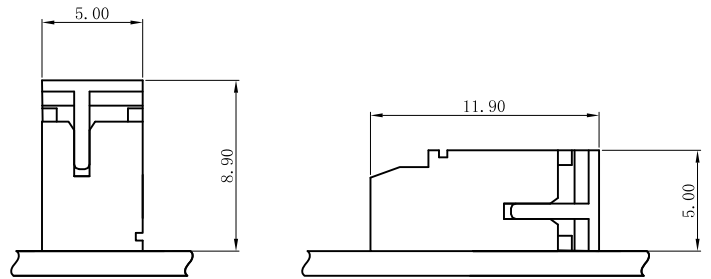


**SPECIFICATIONS:**

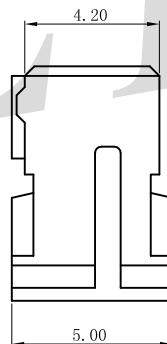
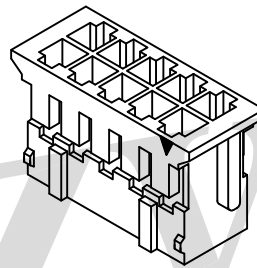
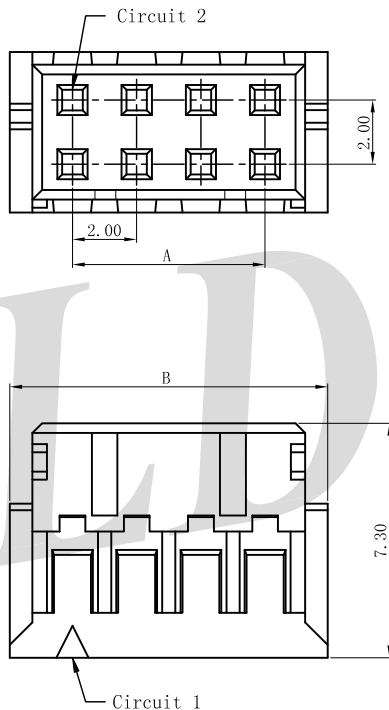
- Voltage Rating: 250V AC/DC
- Current Rating: 3A AC/DC
- Withstanding Voltage: 800V AC/Minute
- Temperature Range: -25°C~+85°C
- Insulation Resistance: 1000MΩ Min.
- Contact Resistance: 10mΩ Max.
- Applicable Wire Range: AWG#22~28.

**Assembly Layout:**



**A2004H-2NP-N0XX**

2.00mm Pitch Dual Row Housing



**Reference Informations:**

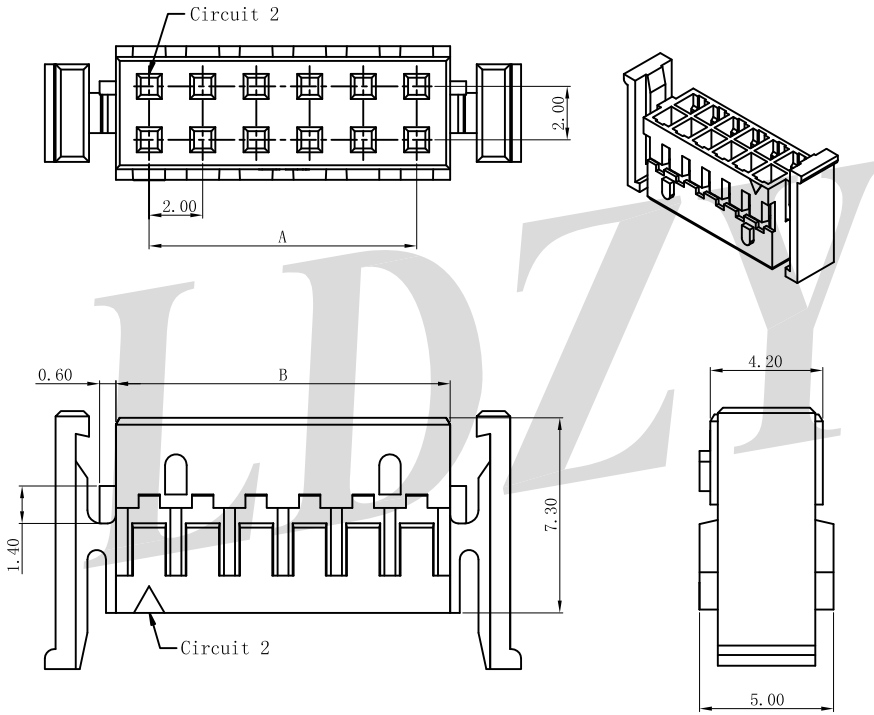
- \*Material:  
Housing: PA66 UL94V-0/Natural or Black
- \*Suitable LDZY A2004 series Terminal
- \*Mates with LDZY A2004 series Wafer

**Ordering Information & Dimensions**

Poles	Dimensions (mm)	
	A	B
2*2	2.00	6.00
2*3	4.00	8.00
2*4	6.00	10.00
2*5	8.00	12.00
2*6	10.00	14.00
2*7	12.00	16.00
2*8	14.00	18.00
2*9	16.00	20.00
2*10	18.00	22.00
2*11	20.00	24.00
2*12	22.00	26.00
2*13	24.00	28.00
2*14	26.00	30.00
2*15	28.00	32.00
2*16	30.00	34.00
2*17	32.00	36.00
2*18	34.00	38.00
2*19	36.00	40.00
2*20	38.00	42.00

## A2004HA-2NP-NOWT

2.00mm Pitch Dual Row Housing



**Reference Informations:**

\*Material:

Housing: PA66 UL94V-0/White

\*Suitable LDZY A2004 series Terminal

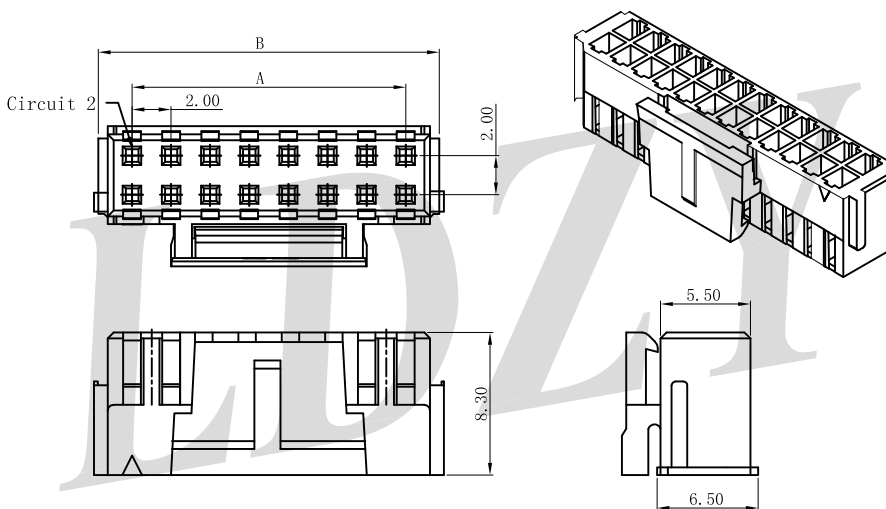
\*Mates with LDZY A2004 series Wafer

**Ordering Information & Dimensions**

Poles	Dimensions (mm)	
	A	B
2*2	2.00	4.50
2*3	4.00	6.50
2*4	6.00	8.50
2*5	8.00	10.50
2*6	10.00	12.50
2*7	12.00	14.50
2*8	14.00	16.50
2*9	16.00	18.50
2*10	18.00	20.50
2*11	20.00	22.50
2*12	22.00	24.50
2*13	24.00	26.50
2*14	26.00	28.50
2*15	28.00	30.50
2*16	30.00	32.50
2*17	32.00	34.50
2*18	34.00	36.50
2*19	36.00	38.50
2*20	38.00	40.50

## A2004HB-2NP-N0NA

2.00mm Pitch Dual Row Housing



**Reference Informations:**

\*Material:

Housing: PA66 UL94V-0/Natural

\*Suitable LDZY A2004 series Terminal

\*Mates with LDZY A2004 series Wafer

**Ordering Information & Dimensions**

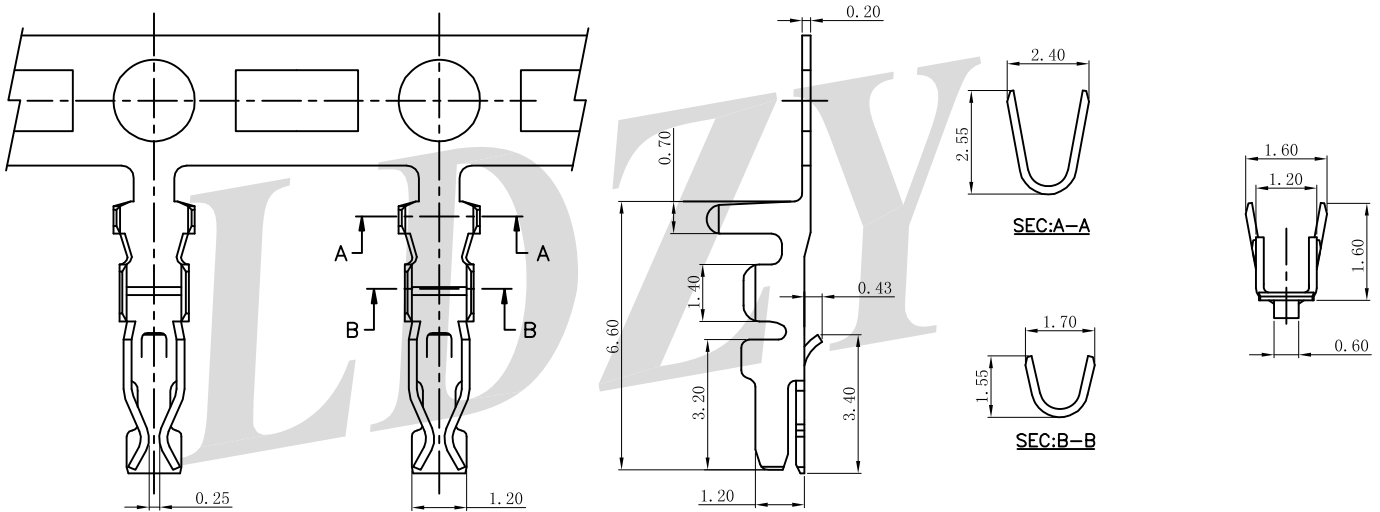
Poles	Dimensions (mm)	
	A	B
2*4	6.00	9.90
2*5	8.00	11.90
2*6	10.00	13.90
2*7	12.00	15.90
2*8	14.00	17.90
2*9	16.00	19.90
2*10	18.00	21.90
2*11	20.00	23.90
2*12	22.00	25.90
2*13	24.00	27.90
2*14	26.00	29.90
2*15	28.00	31.90
2*16	30.00	33.90
2*17	32.00	35.90
2*18	34.00	37.90
2*19	36.00	39.90
2*20	38.00	41.90

## A2004TF-PT1

### 2.00mm Pitch Terminal

**Reference Informations:**

- \*Material: Phosphor Bronze/Tin-plated
- \*Mates with LDZY A2004 series Housing



**Ordering Information & Specifications**

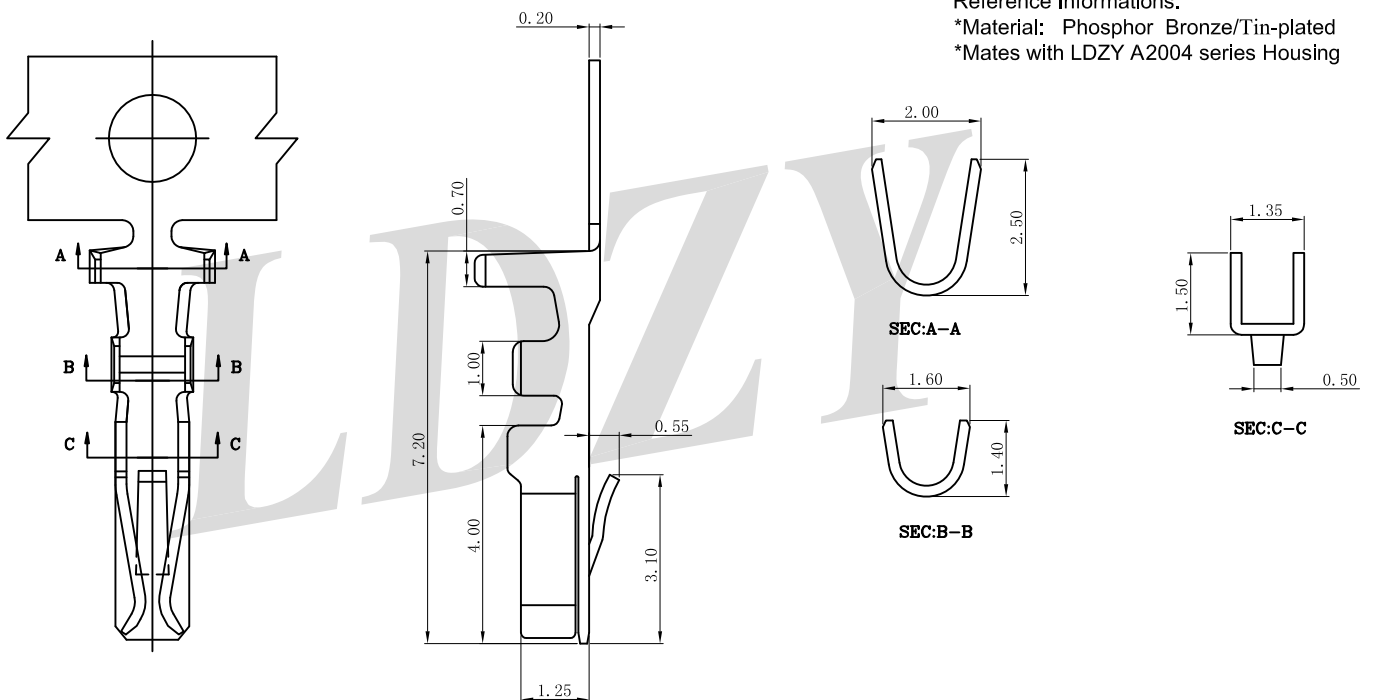
Part No	Wire Range	Insulation O.D.	Material	Finish	Qty/reel
A2004TF-PT1	AWG#22-#28	1.50mm(max)	Phosphor Bronze	Tin-plated	10,000pcs

## A2004TFB-PT1

### 2.00mm Pitch Terminal

**Reference Informations:**

- \*Material: Phosphor Bronze/Tin-plated
- \*Mates with LDZY A2004 series Housing

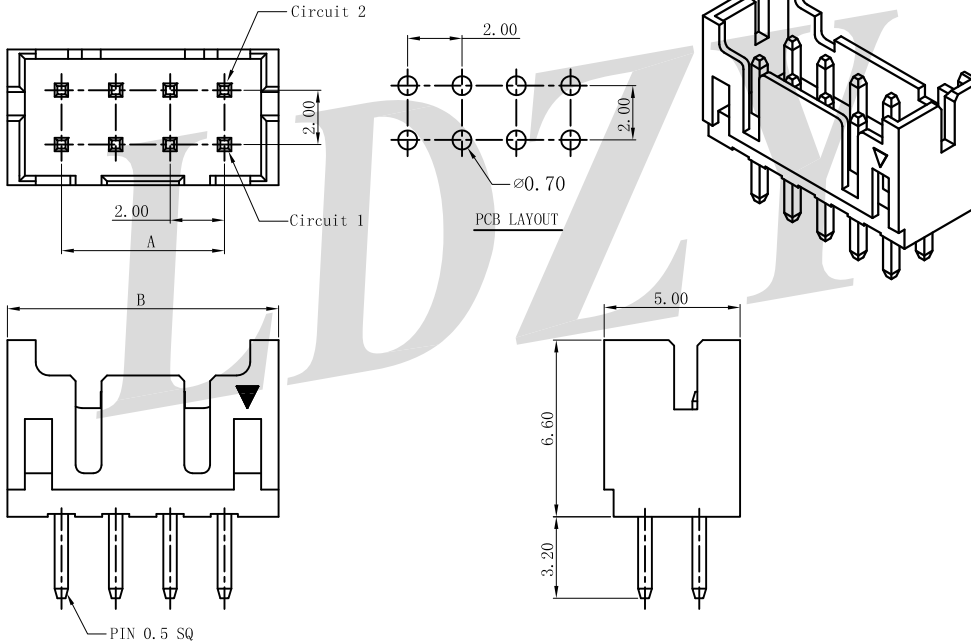


**Ordering Information & Specifications**

Part No	Wire Range	Insulation O.D.	Material	Finish	Qty/reel
A2004TFB	AWG#22-#28	1.50mm(max)	Phosphor Bronze	Tin-plated	10,000pcs

## A2004WV-2NP-N0XXT

2.00mm Pitch 180° Dual Row Wafer



**Reference Informations:**

\*Material:

PIN: Brass/Tin-plated

Wafer: PA66,UL94V-0 / Natrual or Brown

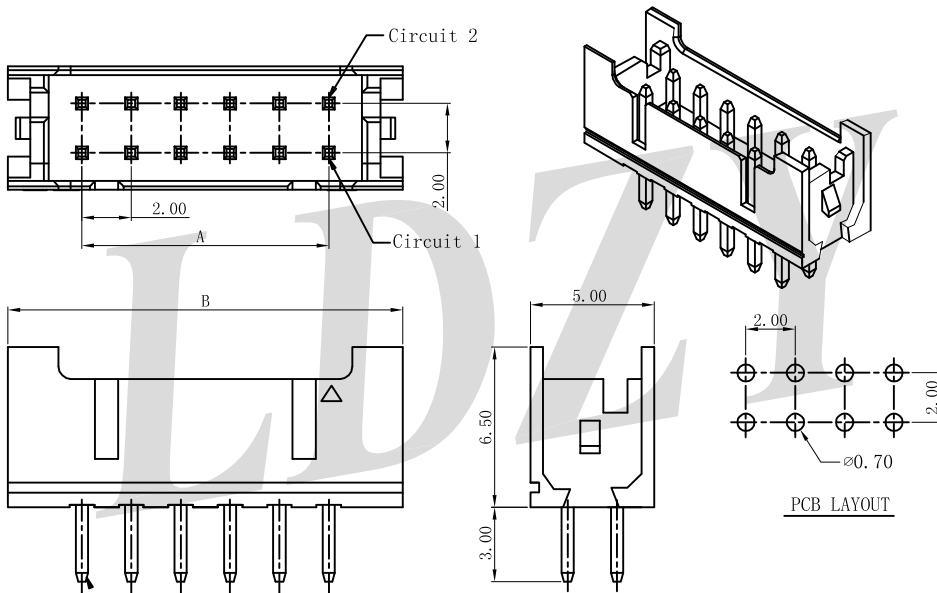
\*Suitable LDZY A2004 series Housing

**Ordering Information & Dimensions**

Poles	Dimensions (mm)	
	A	B
2*2	2.00	6.00
2*3	4.00	8.00
2*4	6.00	10.00
2*5	8.00	12.00
2*6	10.00	14.00
2*7	12.00	16.00
2*8	14.00	18.00
2*9	16.00	20.00
2*10	18.00	22.00
2*11	20.00	24.00
2*12	22.00	26.00
2*13	24.00	28.00
2*14	26.00	30.00
2*15	28.00	32.00
2*16	30.00	34.00
2*17	32.00	36.00
2*18	34.00	38.00
2*19	36.00	40.00
2*20	38.00	42.00

## A2004WVA-2NP-N0NAT

2.00mm Pitch 180° Dual Row Wafer



**Reference Informations:**

\*Material:

PIN: Brass/Tin-plated

Wafer: PA66,UL94V-0 / Natrual

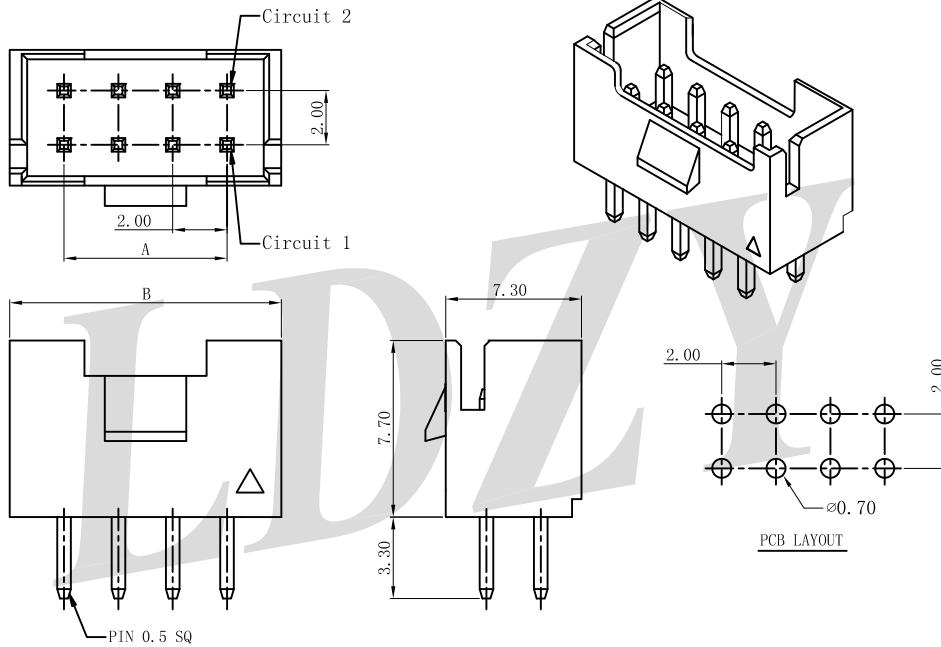
\*Suitable LDZY A2004 series Housing

**Ordering Information & Dimensions**

Poles	Dimensions (mm)	
	A	B
2*2	2.00	8.00
2*3	4.00	10.00
2*4	6.00	12.00
2*5	8.00	14.00
2*6	10.00	16.00
2*7	12.00	18.00
2*8	14.00	20.00
2*9	16.00	22.00
2*10	18.00	24.00
2*11	20.00	26.00
2*12	22.00	28.00
2*13	24.00	30.00
2*14	26.00	32.00
2*15	28.00	34.00
2*16	30.00	36.00
2*17	32.00	38.00
2*18	34.00	40.00
2*19	36.00	42.00
2*20	38.00	44.00

## A2004WVB-2NP-46NAT

2.00mm Pitch 180° Dual Row Wafer



**Reference Informations:**

\*Material:

PIN: Brass/Tin-plated

Wafer: PA46,UL94V-0 / Natrual

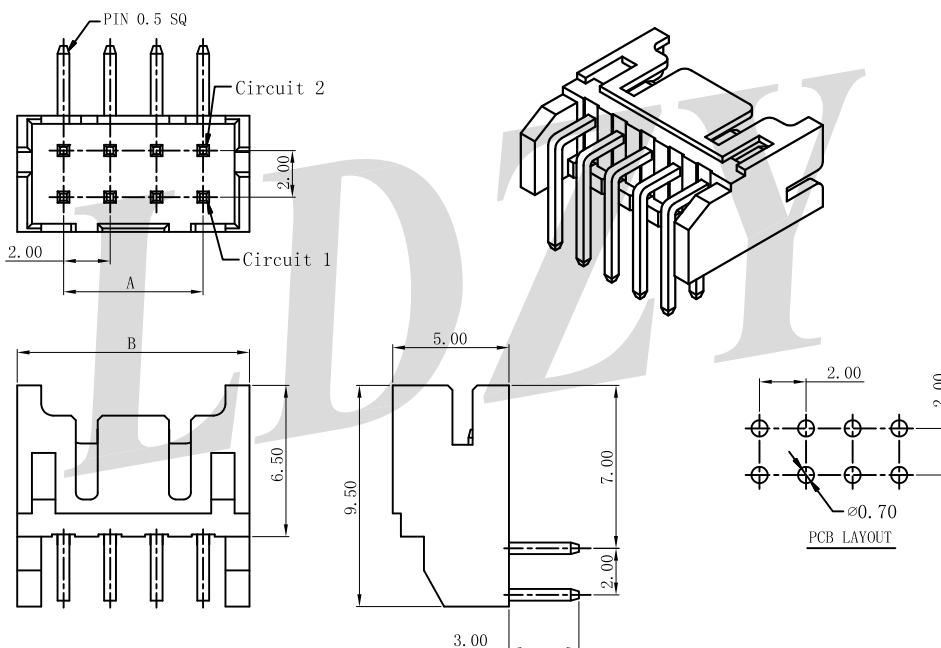
\*Suitable LDZY A2004 series Housing

**Ordering Information & Dimensions**

Poles	Dimensions (mm)	
	A	B
2*4	6.00	10.00
2*5	8.00	12.00
2*6	10.00	14.00
2*7	12.00	16.00
2*8	14.00	18.00
2*9	16.00	20.00
2*10	18.00	22.00
2*11	20.00	24.00
2*12	22.00	26.00
2*13	24.00	28.00
2*14	26.00	30.00
2*15	28.00	32.00
2*16	30.00	34.00
2*17	32.00	36.00
2*18	34.00	38.00
2*19	36.00	40.00
2*20	38.00	42.00

## A2004WR-2NP-N0XXT

2.00mm Pitch 90° Dual Row Wafer



**Reference Informations:**

\*Material:

PIN: Brass/Tin-plated

Wafer: PA66,UL94V-0 / Natrual or Brown

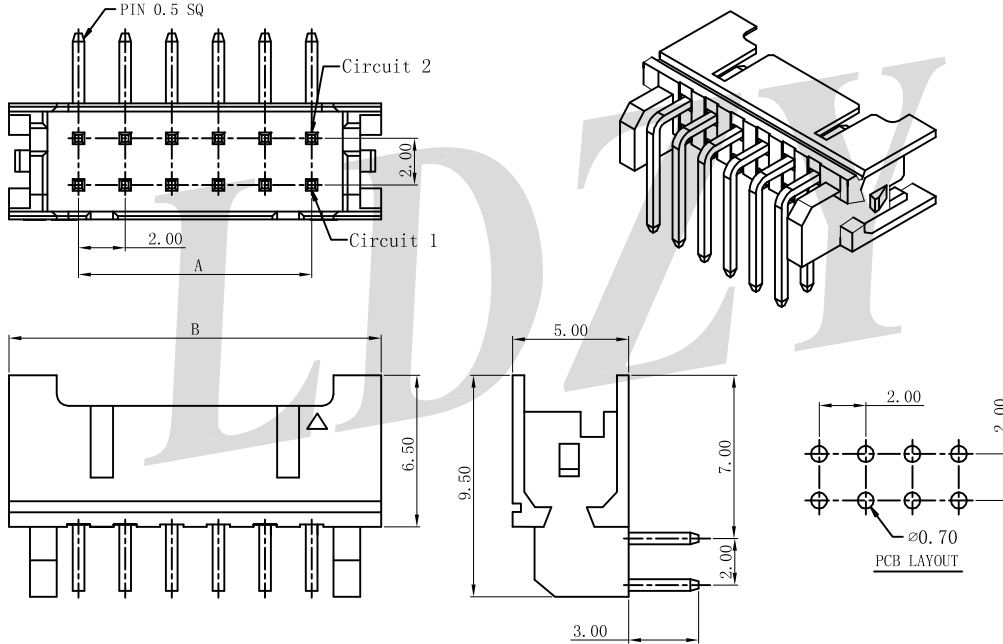
\*Suitable LDZY A2004 series Housing

**Ordering Information & Dimensions**

Poles	Dimensions (mm)	
	A	B
2*2	2.00	6.00
2*3	4.00	8.00
2*4	6.00	10.00
2*5	8.00	12.00
2*6	10.00	14.00
2*7	12.00	16.00
2*8	14.00	18.00
2*9	16.00	20.00
2*10	18.00	22.00
2*11	20.00	24.00
2*12	22.00	26.00
2*13	24.00	28.00
2*14	26.00	30.00
2*15	28.00	32.00
2*16	30.00	34.00
2*17	32.00	36.00
2*18	34.00	38.00
2*19	36.00	40.00
2*20	38.00	42.00

## A2004WRA-2NP-9TNAT

2.00mm Pitch 90° Dual Row Wafer



**Reference Informations:**

\*Material:

PIN: Brass/Tin-plated

Wafer: PA9T,UL94V-0 / Natrual

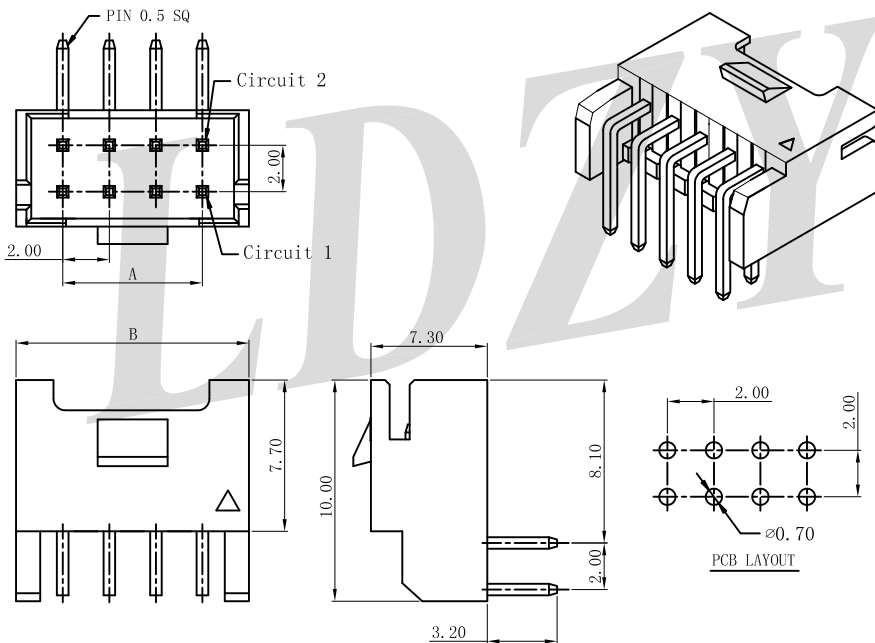
\*Suitable LDZY A2004 series Housing

**Ordering Information & Dimensions**

Poles	Dimensions (mm)	
	A	B
2*2	2.00	8.00
2*3	4.00	10.00
2*4	6.00	12.00
2*5	8.00	14.00
2*6	10.00	16.00
2*7	12.00	18.00
2*8	14.00	20.00
2*9	16.00	22.00
2*10	18.00	24.00
2*11	20.00	26.00
2*12	22.00	28.00
2*13	24.00	30.00
2*14	26.00	32.00
2*15	28.00	34.00
2*16	30.00	36.00
2*17	32.00	38.00
2*18	34.00	40.00
2*19	36.00	42.00
2*20	38.00	44.00

## A2004WRB-2NP-46NAT

2.00mm Pitch 90° Dual Row Wafer



**Reference Informations:**

\*Material:

PIN: Brass/Tin-plated

Wafer: PA46,UL94V-0 / Natrual

\*Suitable LDZY A2004 series Housing

**Ordering Information & Dimensions**

Poles	Dimensions (mm)	
	A	B
2*4	6.00	10.00
2*5	8.00	12.00
2*6	10.00	14.00
2*7	12.00	16.00
2*8	14.00	18.00
2*9	16.00	20.00
2*10	18.00	22.00
2*11	20.00	24.00
2*12	22.00	26.00
2*13	24.00	28.00
2*14	26.00	30.00
2*15	28.00	32.00
2*16	30.00	34.00
2*17	32.00	36.00
2*18	34.00	38.00
2*19	36.00	40.00
2*20	38.00	42.00