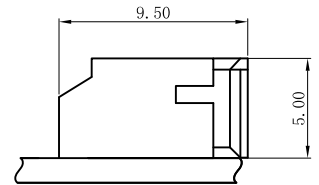
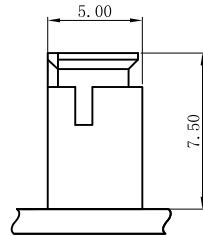
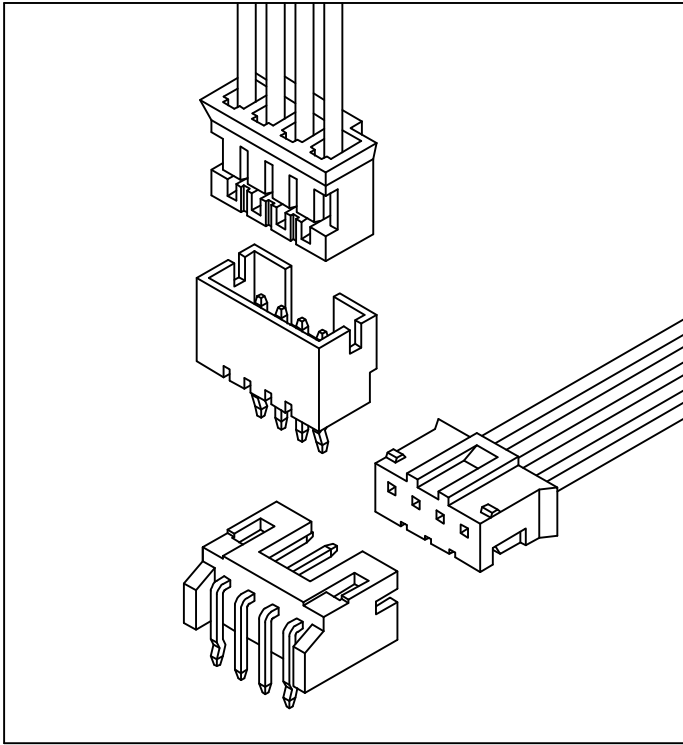


SPECIFICATIONS:

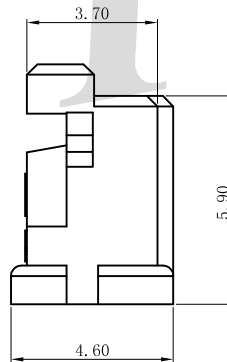
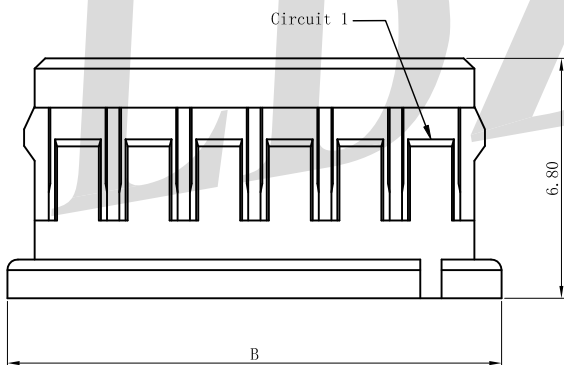
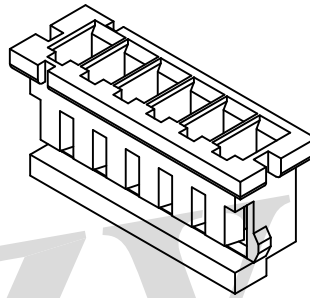
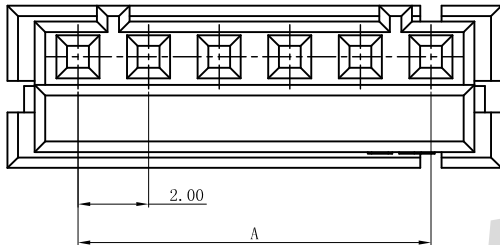
Voltage Rating: 250V AC/DC
 Current Rating: 3A AC/DC
 Withstanding Voltage: 650V AC/Minute
 Temperature Range: -25°C~+85°C
 Insulation Resistance: 1000MΩ Min.
 Contact Resistance: 30mΩ Max.
 Applicable Wire Range: AWG#22~28.

Assembly Layout:



A2005H-NP-N0BK

2.00mm Pitch Single Row Housing



Reference Informations:

- *Material:
- Housing: PA66 UL94V-0/Black
- *Suitable LDZY A2005 series Terminal
- *Mates with LDZY A2005 series Wafer

Ordering Information & Dimensions

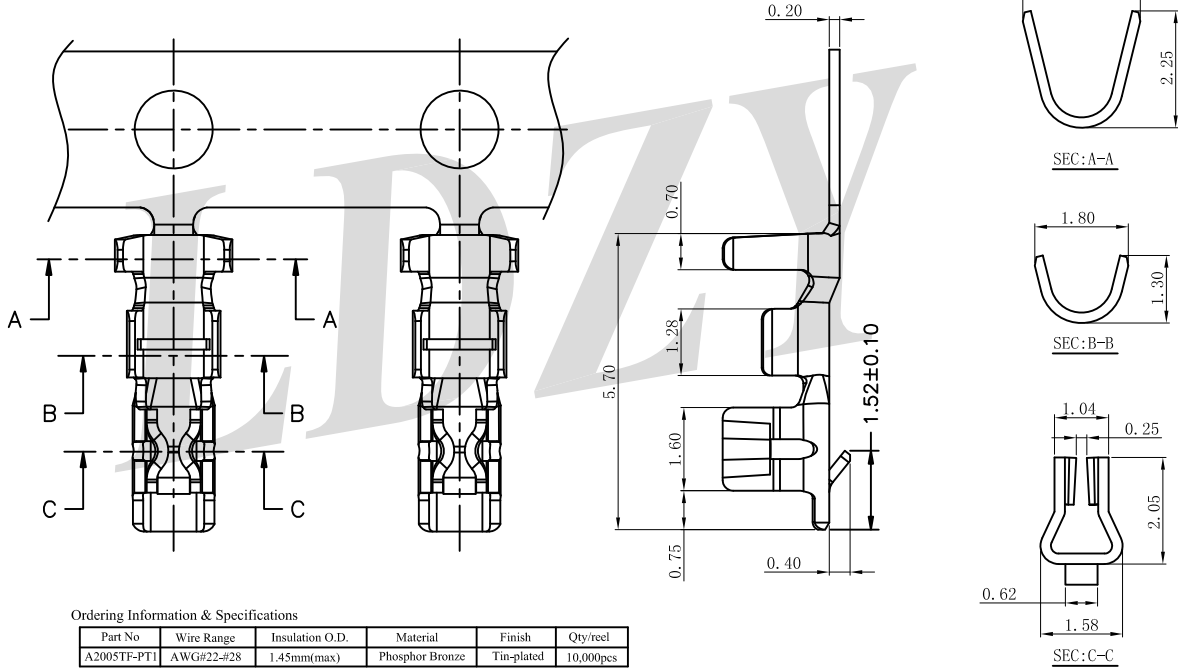
Poles	Dimensions (mm)	
	A	B
02	2.00	6.00
03	4.00	8.00
04	6.00	10.00
05	8.00	12.00
06	10.00	14.00
07	12.00	16.00
08	14.00	18.00
09	16.00	20.00
10	18.00	22.00
11	20.00	24.00
12	22.00	26.00
13	24.00	28.00
14	26.00	30.00
15	28.00	32.00

A2005TF-PT1

2.00mm Pitch Terminal

Reference Informations:

- *Material: Phosphor Bronze/Tin-plated
- *Mates with LDZY A2005 series Housing



Ordering Information & Specifications

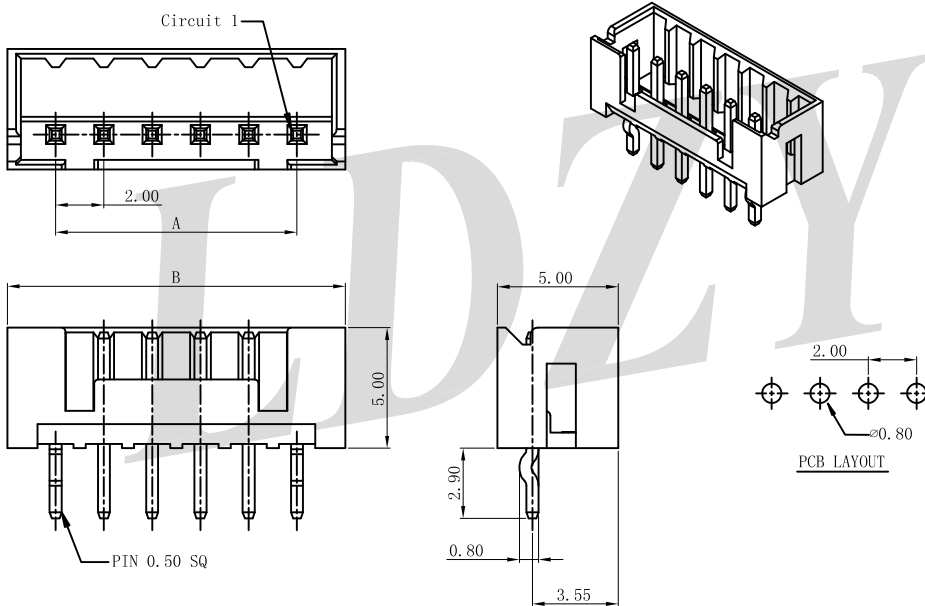
Part No	Wire Range	Insulation O.D.	Material	Finish	Qty/reel
A2005TF-PT1	AWG#22-#28	1.45mm(max)	Phosphor Bronze	Tin-plated	10,000pcs

A2005WV-NP-6TNAG

2.00mm Pitch 180° Single Row Wafer

Reference Informations:

- *Material:
PIN: Brass/Gold-flash
Wafer: PA6T,UL94V-0 / Natrual
- *Suitable LDZY A2005 series Housing

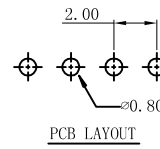
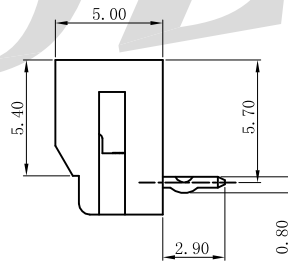
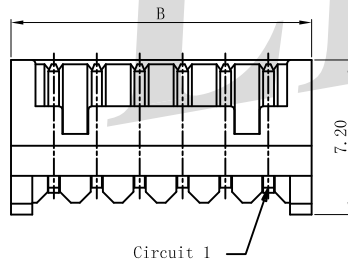
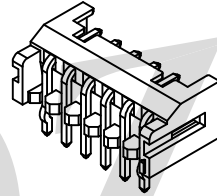
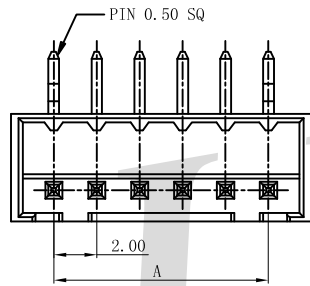


Ordering Information & Dimensions

Poles	Dimensions (mm)	
	A	B
02	2.00	6.00
03	4.00	8.00
04	6.00	10.00
05	8.00	12.00
06	10.00	14.00
07	12.00	16.00
08	14.00	18.00
09	16.00	20.00
10	18.00	22.00
11	20.00	24.00
12	22.00	26.00
13	24.00	28.00
14	26.00	30.00
15	28.00	32.00

A2005WR-NP-6TNAT

2.00mm Pitch 90° Single Row Wafer



Reference Informations:

***Material:**

PIN: Brass/Tin-plated

Wafer: PA6T,UL94V-0 / Natrual

*Suitable LDZY A2005 series Housing
Ordering Information & Dimensions

Poles	Dimensions (mm)	
	A	B
02	2.00	6.00
03	4.00	8.00
04	6.00	10.00
05	8.00	12.00
06	10.00	14.00
07	12.00	16.00
08	14.00	18.00
09	16.00	20.00
10	18.00	22.00
11	20.00	24.00
12	22.00	26.00
13	24.00	28.00
14	26.00	30.00
15	28.00	32.00