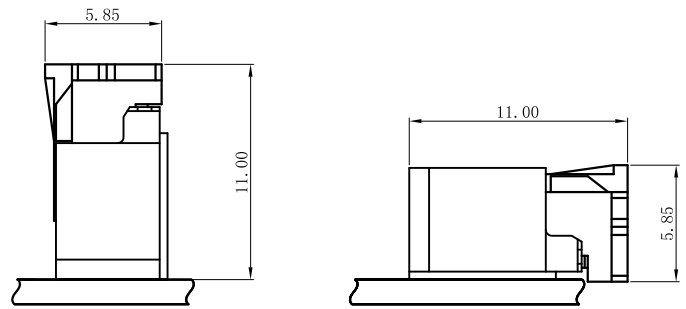
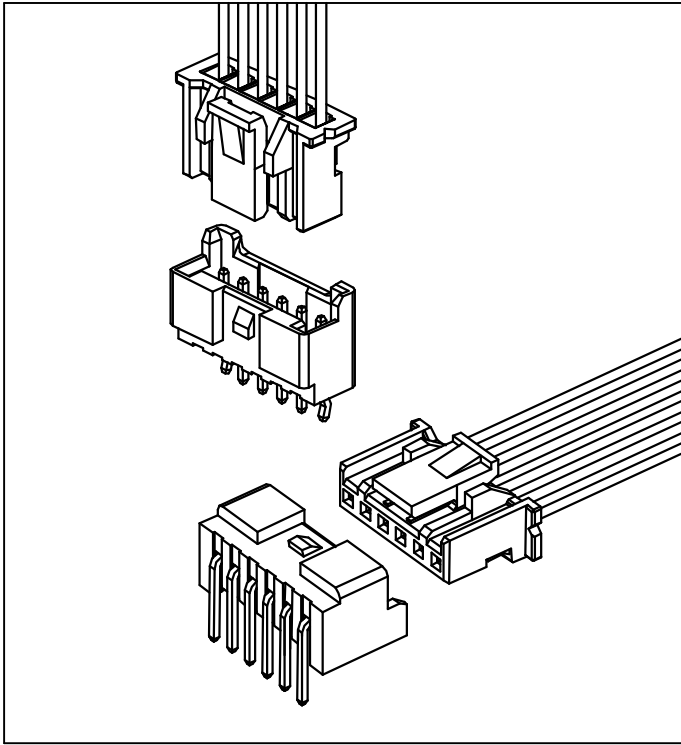


SPECIFICATIONS:

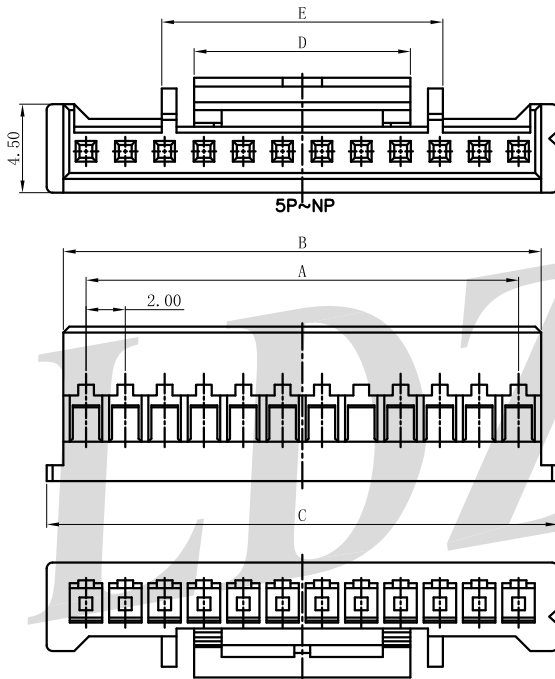
Voltage Rating: 250V AC/DC
 Current Rating: 3A AC/DC
 Withstanding Voltage: 800V AC/Minute
 Temperature Range: -25°C~+85°C
 Insulation Resistance: 1000MΩ Min.
 Contact Resistance: 20mΩ Max.
 Applicable Wire Range: AWG#22~28.

Assembly Layout:



A2007H-NP-N0NA

2.00mm Pitch Single Row Housing

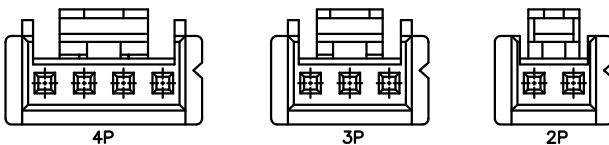


Reference Informations:

*Material:
 Housing: PA66 UL94V-0/Natural
 *Suitable LDZY A2007 series Terminal
 *Mates with LDZY A2007 series Wafer

Ordering Information & Dimensions

Poles	Dimensions (mm)				
	A	B	C	D	E
02	--	4.30	6.00	2.00	
03	4.00	6.30	8.00	3.30	
04	6.00	8.30	10.00	4.50	
05	8.00	10.30	12.00	4.50	7.80
06	10.00	12.30	14.00	4.50	7.80
07	12.00	14.30	16.00	4.50	7.80
08	14.00	16.30	18.00	4.50	7.80
09	16.00	18.30	20.00	19.80	7.80
10	18.00	20.30	22.00	11.00	14.30
11	20.00	22.30	24.00	11.00	14.30
12	22.00	24.30	26.00	11.00	14.30
13	24.00	26.30	28.00	11.00	14.30
14	26.00	28.30	30.00	11.00	14.30
15	28.00	30.30	32.00	11.00	14.30
16	30.00	32.30	34.00	11.00	14.30

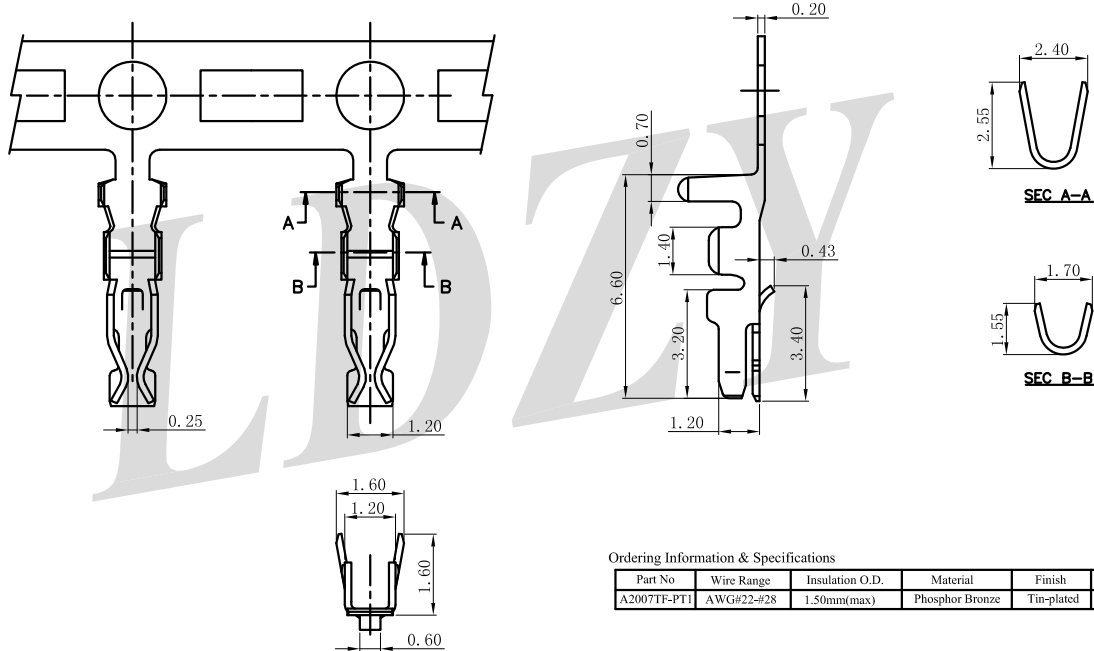


A2007TF-PT1

2.00mm Pitch Terminal

Reference Informations:

- *Material: Phosphor Bronze/Tin-plated
- *Mates with LDZY A2007 series Housing



Ordering Information & Specifications

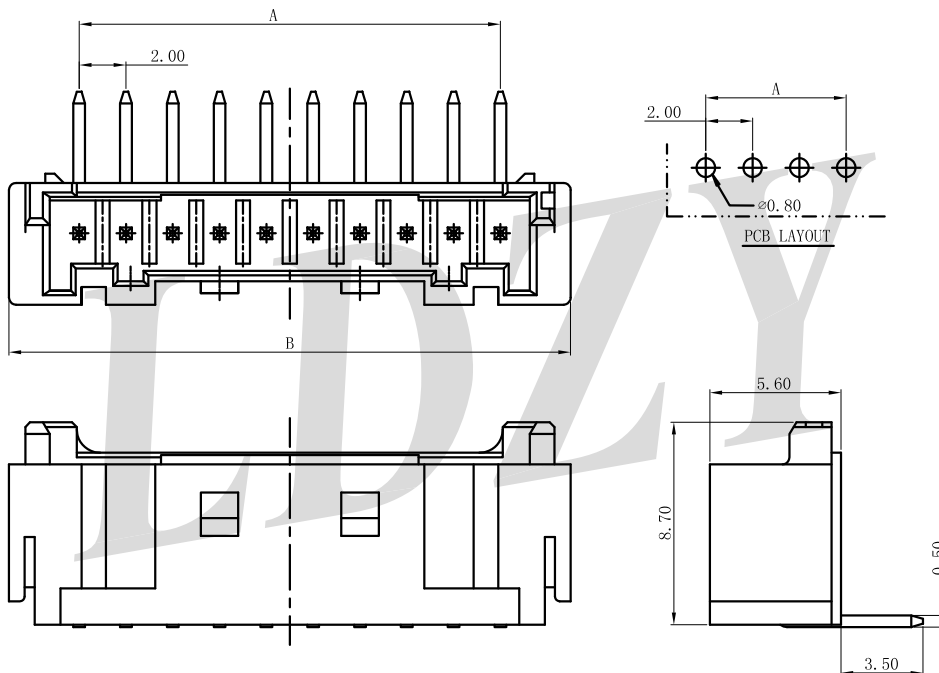
Part No	Wire Range	Insulation O.D.	Material	Finish	Qty/reel
A2007TF-PT1	AWG#22-#28	1.50mm(max)	Phosphor Bronze	Tin-plated	10,000pcs

A2007WR-NP-9TNAT

2.00mm Pitch 90° Single Row Wafer

Reference Informations:

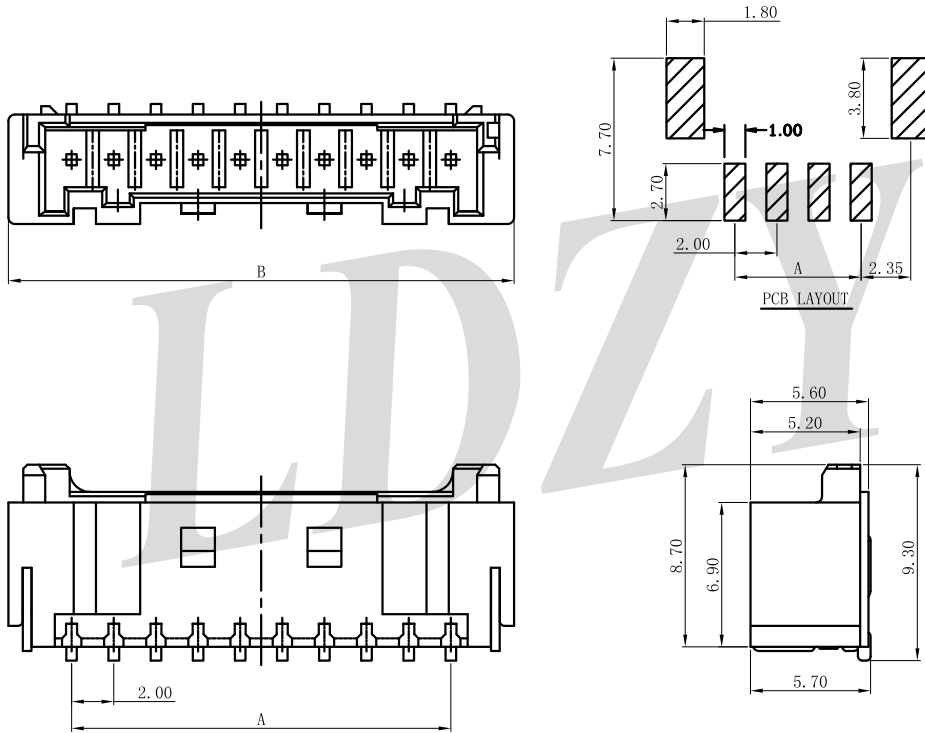
- *Material:
PIN: Brass/Tin-plated
Wafer: PA9T, UL94V-0 / Natrual
- *Suitable LDZY A2007 series Housing



Poles	Dimensions (mm)	
	A	B
02	2.00	8.00
03	4.00	10.00
04	6.00	12.00
05	8.00	14.00
06	10.00	16.00
07	12.00	18.00
08	14.00	20.00
09	16.00	22.00
10	18.00	24.00
11	20.00	26.00
12	22.00	28.00
13	24.00	30.00
14	26.00	32.00
15	28.00	34.00

A2007WRS-NP-9TNAT

2.00mm Pitch 90° Single Row Wafer



Reference Informations:

*Material:

PIN: Brass/Tin-plated

Solder Tabs: Brass/Tin-plated

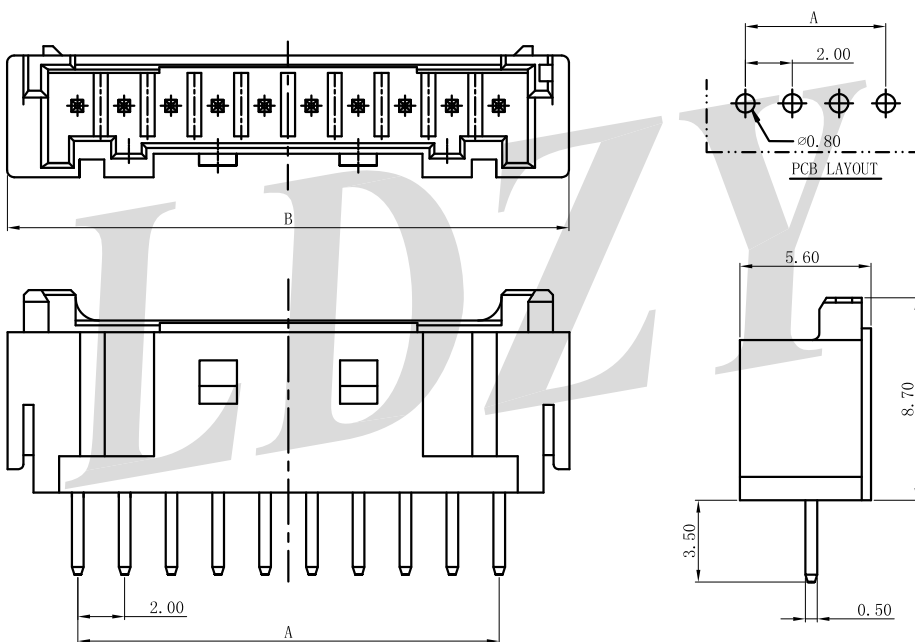
Wafer: PA9T,UL94V-0 / Natrual

*Suitable LDZY A2007 series Housing
Ordering Information & Dimensions

Poles	Dimensions (mm)	
	A	B
02	2.00	8.00
03	4.00	10.00
04	6.00	12.00
05	8.00	14.00
06	10.00	16.00
07	12.00	18.00
08	14.00	20.00
09	16.00	22.00
10	18.00	24.00
11	20.00	26.00
12	22.00	28.00
13	24.00	30.00
14	26.00	32.00
15	28.00	34.00

A2007WV-NP-9TNAT

2.00mm Pitch 180° Single Row Wafer



Reference Informations:

*Material:

PIN: Brass/Tin-plated

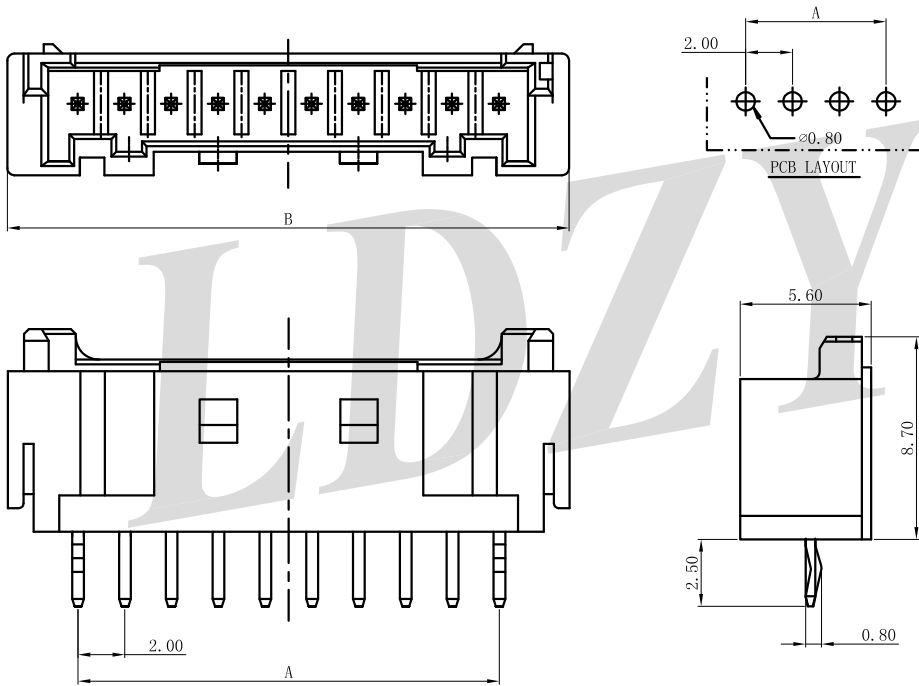
Wafer: PA9T,UL94V-0 / Natrual

*Suitable LDZY A2007 series Housing
Ordering Information & Dimensions

Poles	Dimensions (mm)	
	A	B
02	2.00	8.00
03	4.00	10.00
04	6.00	12.00
05	8.00	14.00
06	10.00	16.00
07	12.00	18.00
08	14.00	20.00
09	16.00	22.00
10	18.00	24.00
11	20.00	26.00
12	22.00	28.00
13	24.00	30.00
14	26.00	32.00
15	28.00	34.00

A2007WVA-NP-9TNAT

2.00mm Pitch 180° Single Row Wafer



Reference Informations:

*Material:

PIN: Brass/Tin-plated

Wafer: PA9T,UL94V-0 / Natrual

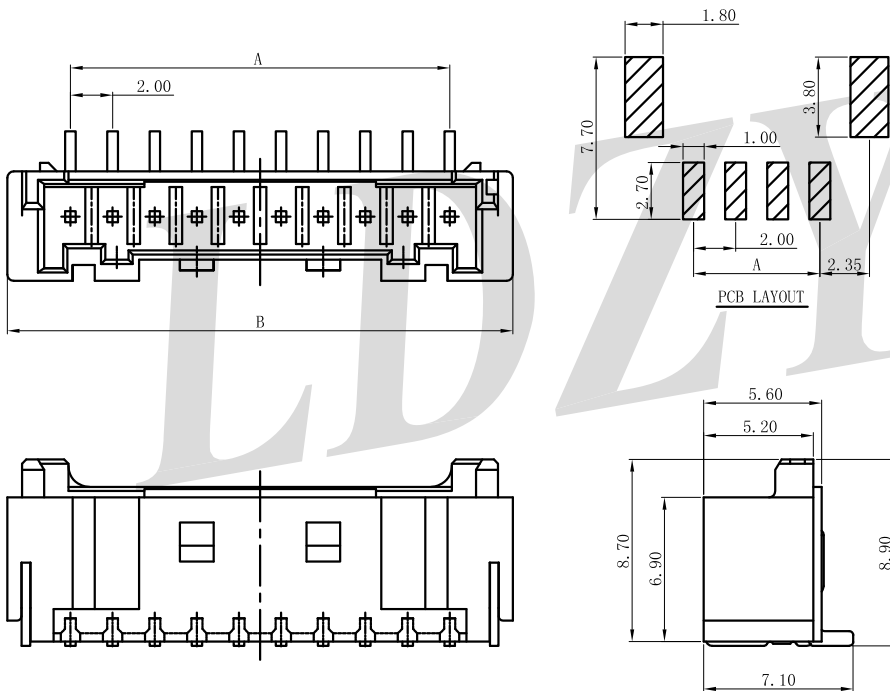
*Suitable LDZY A2007 series Housing

Ordering Information & Dimensions

Poles	Dimensions (mm)	
	A	B
02	2.00	8.00
03	4.00	10.00
04	6.00	12.00
05	8.00	14.00
06	10.00	16.00
07	12.00	18.00
08	14.00	20.00
09	16.00	22.00
10	18.00	24.00
11	20.00	26.00
12	22.00	28.00
13	24.00	30.00
14	26.00	32.00
15	28.00	34.00

A2007WVS-NP-9TNAT

2.00mm Pitch 180° Single Row Wafer



Reference Informations:

*Material:

PIN: Brass/Tin-plated

Solder Tabs: Brass/Tin-plated

Wafer: PA9T,UL94V-0 / Natrual

*Suitable LDZY A2007 series Housing

Ordering Information & Dimensions

Poles	Dimensions (mm)	
	A	B
02	2.00	8.00
03	4.00	10.00
04	6.00	12.00
05	8.00	14.00
06	10.00	16.00
07	12.00	18.00
08	14.00	20.00
09	16.00	22.00
10	18.00	24.00
11	20.00	26.00
12	22.00	28.00
13	24.00	30.00
14	26.00	32.00
15	28.00	34.00