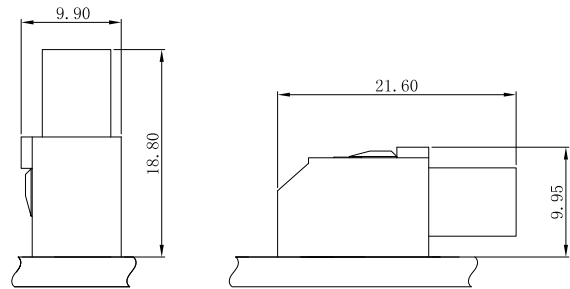
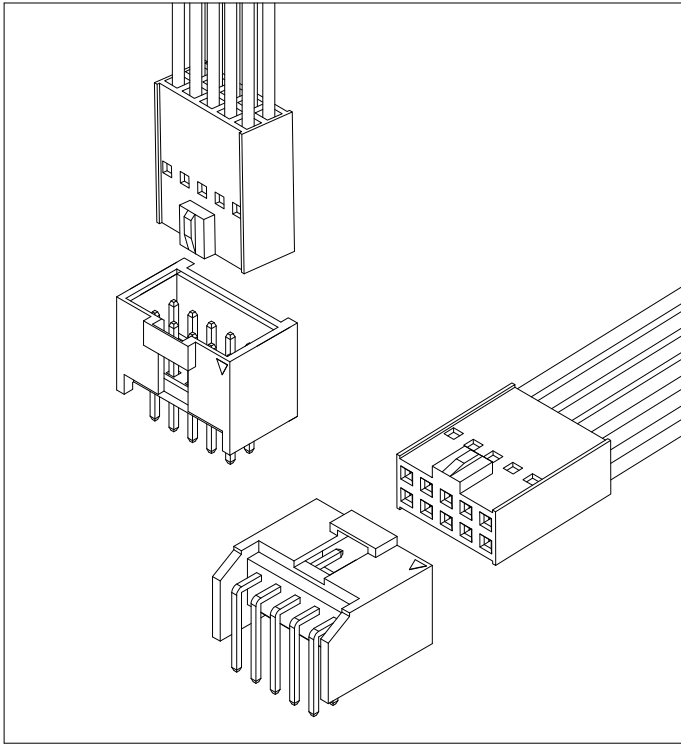


SPECIFICATIONS:

Voltage Rating: 250V AC/DC
 Current Rating: 3A AC/DC
 Withstanding Voltage: 1500V AC/Minute
 Temperature Range: -25°C~+85°C
 Insulation Resistance: 1000MΩ Min.
 Contact Resistance: 20mΩ Max.
 Applicable Wire Range: AWG#22~26.

Assembly Layout:

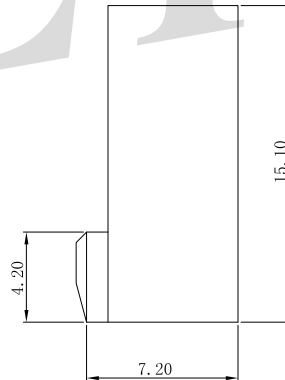
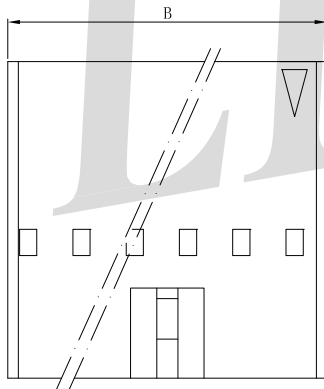
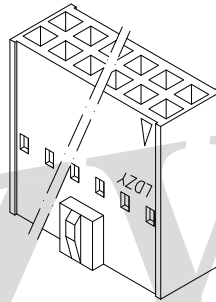
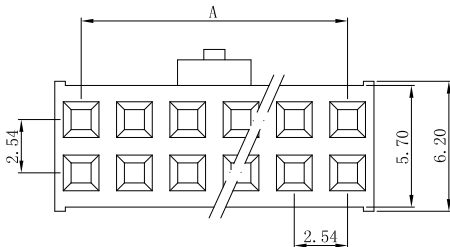


A2541HA-2NP-P0BK

2.54mm Pitch Dual Row Housing

Reference Informations:

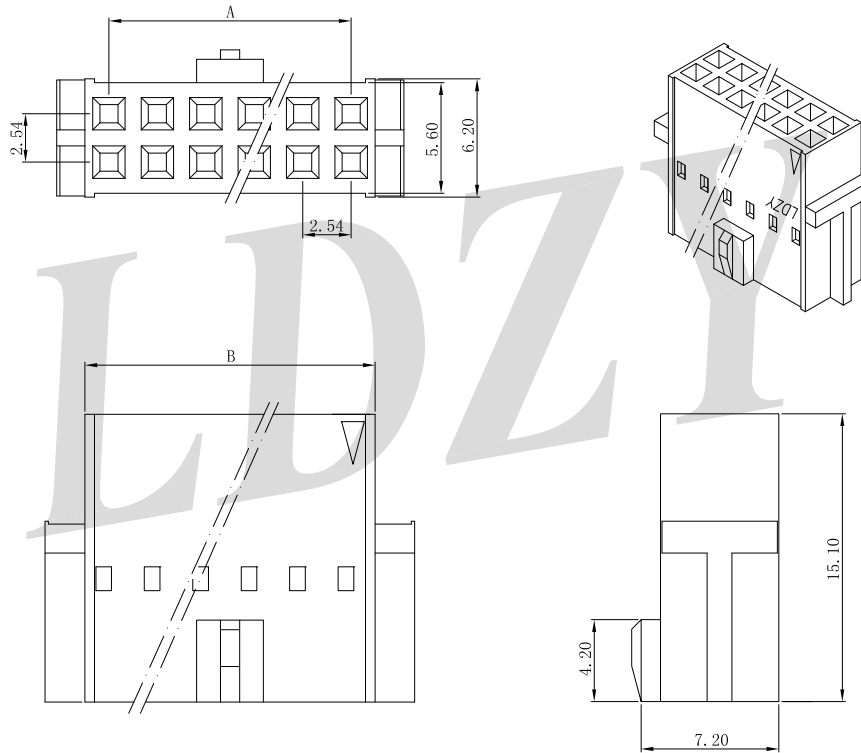
- *Material:
- Housing: PBT UL94V-0/Black
- *Suitable LDZY A2541 series Terminal
- *Mates with LDZY A2541 series Wafer



Poles	Dimensions (mm)		Poles	Dimensions (mm)	
	A	B		A	B
2*2P	2.54	5.08	2*22P	53.34	55.88
2*3P	5.08	7.62	2*23P	55.88	58.42
2*4P	7.62	10.16	2*24P	58.42	60.96
2*5P	10.16	12.70	2*25P	60.96	63.50
2*6P	12.70	15.24	2*26P	63.50	66.04
2*7P	15.24	17.78	2*27P	66.04	68.58
2*8P	17.78	20.32	2*28P	68.58	71.12
2*9P	20.32	22.86	2*29P	71.12	73.66
2*10P	22.86	25.40	2*30P	73.66	76.20
2*11P	25.40	27.94	2*31P	76.20	78.74
2*12P	27.94	30.48	2*32P	78.74	81.28
2*13P	30.48	33.02			
2*14P	33.02	35.56			
2*15P	35.56	38.10			
2*16P	38.10	40.64			
2*17P	40.64	43.18			
2*18P	43.18	45.72			
2*19P	45.72	48.26			
2*20P	48.26	50.80			
2*21P	50.80	53.34			

A2541HB-2NP-P0BK

2.54mm Pitch Dual Row Housing



Reference Informations:

*Material:

Housing: PBT UL94V-0/Black

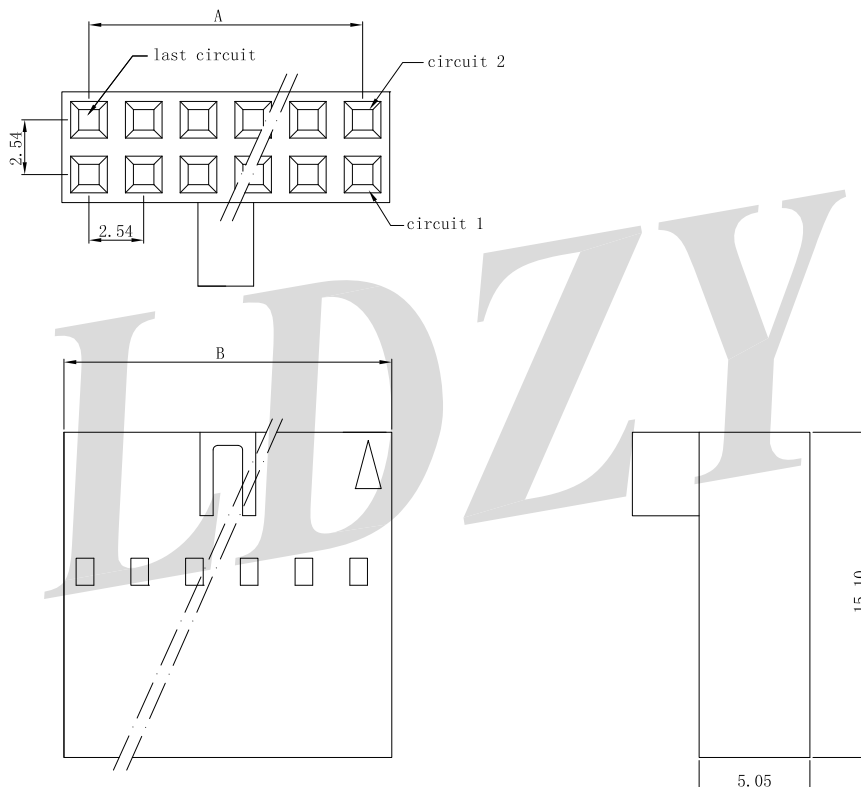
*Suitable LDZY A2541 series Terminal

*Mates with LDZY A2541 series Wafer

Poles	Dimensions (mm)		Poles	Dimensions (mm)	
	A	B		A	B
2*2P	2.54	5.08	2*22P	53.34	55.88
2*3P	5.08	7.62	2*23P	55.88	58.42
2*4P	7.62	10.16	2*24P	58.42	60.96
2*5P	10.16	12.70	2*25P	60.96	63.50
2*6P	12.70	15.24	2*26P	63.50	66.04
2*7P	15.24	17.78	2*27P	66.04	68.58
2*8P	17.78	20.32	2*28P	68.58	71.12
2*9P	20.32	22.86	2*29P	71.12	73.66
2*10P	22.86	25.40	2*30P	73.66	76.20
2*11P	25.40	27.94	2*31P	76.20	78.74
2*12P	27.94	30.48	2*32P	78.74	81.28
2*13P	30.48	33.02			
2*14P	33.02	35.56			
2*15P	35.56	38.10			
2*16P	38.10	40.64			
2*17P	40.64	43.18			
2*18P	43.18	46.72			
2*19P	45.72	48.26			
2*20P	48.26	50.80			
2*21P	50.80	53.34			

A2541HD-2NP-P0BK

2.54mm Pitch Dual Row Housing



Reference Informations:

*Material:

Housing: PBT UL94V-0/Black

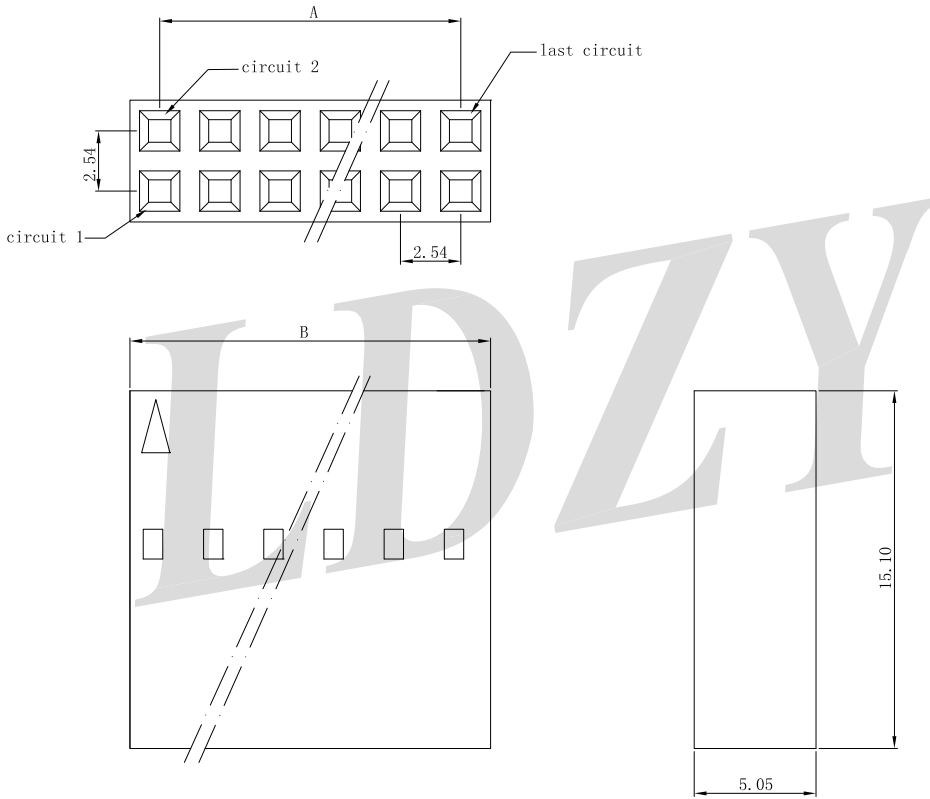
*Suitable LDZY A2541 series Terminal

*Mates with LDZY A2541 series Wafer
Ordering Information & Dimensions

Poles	Dimensions (mm)		Poles	Dimensions (mm)	
	A	B		A	B
2*2P	2.54	5.08	2*22P	53.34	55.88
2*3P	5.08	7.62	2*23P	55.88	58.42
2*4P	7.62	10.16	2*24P	58.42	60.96
2*5P	10.16	12.70	2*25P	60.96	63.50
2*6P	12.70	15.24	2*26P	63.50	66.04
2*7P	15.24	17.78	2*27P	66.04	68.58
2*8P	17.78	20.32	2*28P	68.58	71.12
2*9P	20.32	22.86	2*29P	71.12	73.66
2*10P	22.86	25.40	2*30P	73.66	76.20
2*11P	25.40	27.94	2*31P	76.20	78.74
2*12P	27.94	30.48	2*32P	78.74	81.28
2*13P	30.48	33.02			
2*14P	33.02	35.56			
2*15P	35.56	38.10			
2*16P	38.10	40.64			
2*17P	40.64	43.18			
2*18P	43.18	46.72			
2*19P	45.72	48.26			
2*20P	48.26	50.80			
2*21P	50.80	53.34			

A2541HE-2NP-P0BK

2.54mm Pitch Dual Row Housing



Reference Informations:

*Material:

Housing: PBT UL94V-0/Black

*Suitable LDZY A2541 series Terminal

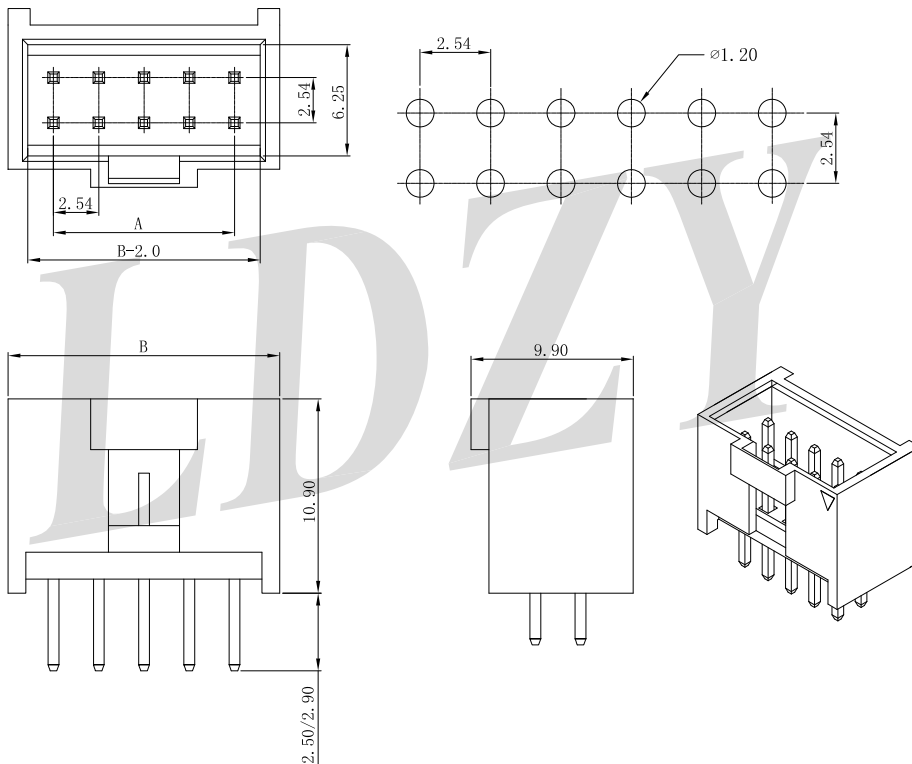
*Mates with LDZY A2541 series Wafer

Ordering Information & Dimensions

Poles	Dimensions (mm)		Poles	Dimensions (mm)	
	A	B		A	B
2*2P	2.54	5.08	2*22P	53.34	55.88
2*3P	5.08	7.62	2*23P	55.88	58.42
2*4P	7.62	10.16	2*24P	58.42	60.96
2*5P	10.16	12.70	2*25P	60.96	63.50
2*6P	12.70	15.24	2*26P	63.50	66.04
2*7P	15.24	17.78	2*27P	66.04	68.58
2*8P	17.78	20.32	2*28P	68.58	71.12
2*9P	20.32	22.86	2*29P	71.12	73.66
2*10P	22.86	25.40	2*30P	73.66	76.20
2*11P	25.40	27.94	2*31P	76.20	78.74
2*12P	27.94	30.48	2*32P	78.74	81.28
2*13P	30.48	33.02			
2*14P	33.02	35.56			
2*15P	35.56	38.10			
2*16P	38.10	40.64			
2*17P	40.64	43.18			
2*18P	43.18	45.72			
2*19P	45.72	48.26			
2*20P	48.26	50.80			
2*21P	50.80	53.34			

A2541WVA-2NP-P0BKX

2.54mm Pitch 180° Dual Row Wafer



Reference Informations:

*Material:

PIN: Brass/Gold-flash or Tin-plated

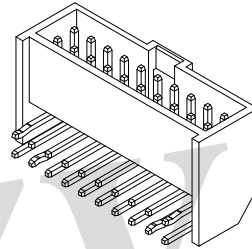
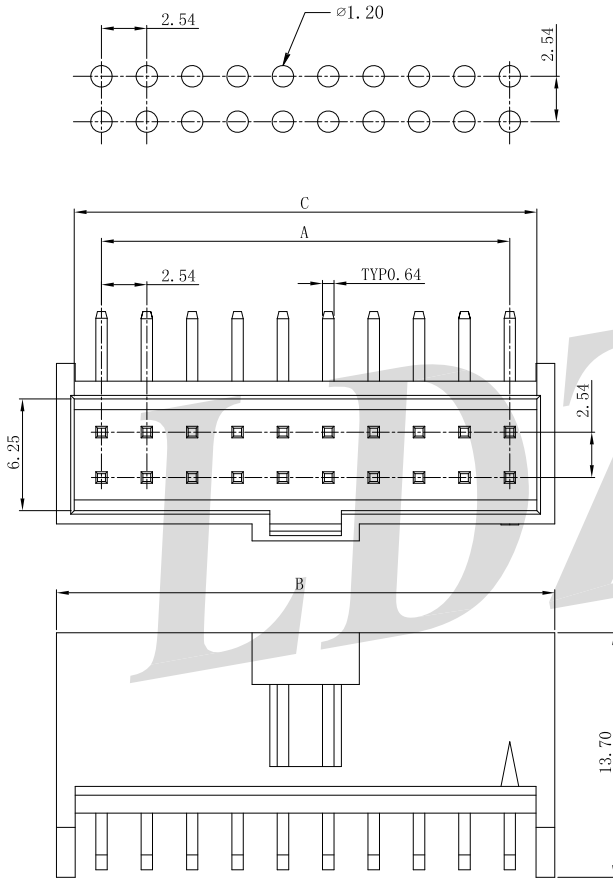
Wafer: PBT,UL94V-0 /Black

*Suitable LDZY A2541 series Housing

Ordering Information & Dimensions

A2541WRA-2NP-P0BKX

2.54mm Pitch 90° Dual Row Wafer



Reference Informations:

*Material:

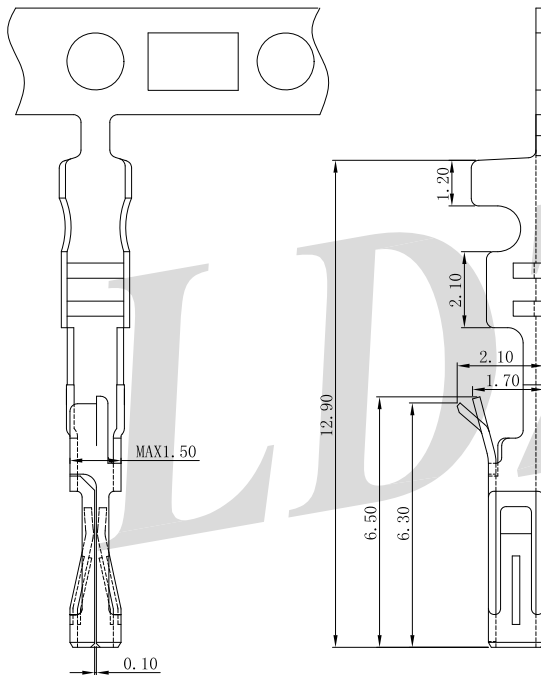
PIN: Brass/Tin-plated or Gold plated
Wafer: PBT,UL94V-0 / Black

*Suitable LDZY A2541 series Housing
Ordering Information & Dimensions

Poles	Dimensions (mm)		Poles	Dimensions (mm)	
	A	B		A	B
2*3P	5.08	10.12	2*21P	50.80	55.84
2*4P	7.62	12.66	2*22P	53.34	58.38
2*5P	10.16	15.20	2*23P	55.88	60.92
2*6P	12.70	17.74	2*24P	58.42	63.46
2*7P	15.24	20.28	2*25P	60.96	66.00
2*8P	17.78	22.82	2*26P	63.50	68.54
2*9P	20.32	25.36	2*27P	66.04	71.08
2*10P	22.86	27.90	2*28P	68.58	73.62
2*11P	25.40	30.44	2*29P	71.12	76.16
2*12P	27.94	32.98	2*30P	73.66	78.70
2*13P	30.48	35.52	2*31P	76.20	81.24
2*14P	32.02	38.06	2*32P	78.74	83.78
2*15P	35.56	40.60			
2*16P	38.10	43.14			
2*17P	40.64	45.68			
2*18P	43.18	48.22			
2*19P	45.72	50.76			
2*20P	48.26	53.30			

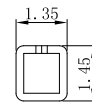
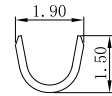
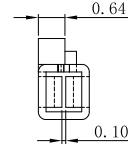
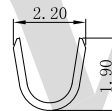
A2541TF-PXXA

2.54mm Pitch Terminal



Reference Informations:

- *Material: Phosphor Bronze/Tin-plated or Gold plated
- *Mates with LDZY A2541、A2547series Housing

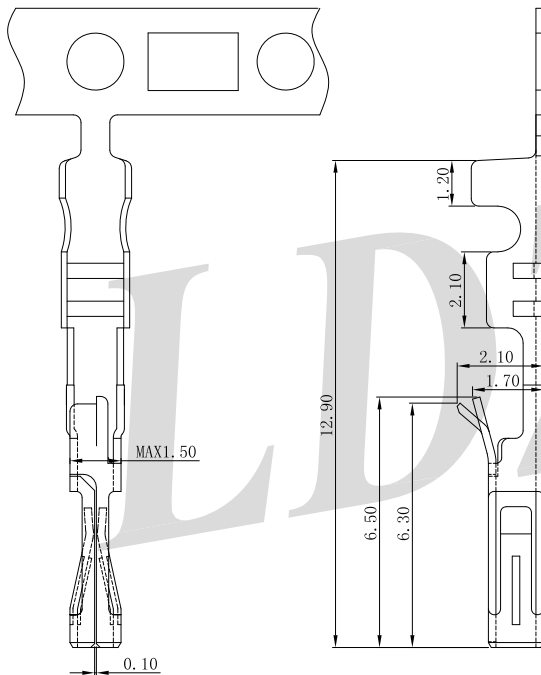


Ordering Information & Specifications

Part No	Wire Range	Insulation O.D.	Material	Finish	Qty/reel
A2541TF-PT1A	AWG#22-#26	1.6mm(max)	Phosphor Bronze	Tin-plated	15,000pcs
A2541TF-PG1A	AWG#22-#26	1.6mm(max)	Phosphor Bronze	Gold plated	15,000pcs

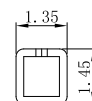
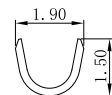
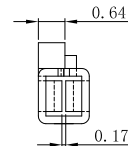
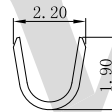
A2541TF-PXXB

2.54mm Pitch Terminal



Reference Informations:

- *Material: Phosphor Bronze/Tin-plated or Gold plated
- *Mates with LDZY A2541、A2547 series Housing



Ordering Information & Specifications

Part No	Wire Range	Insulation O.D.	Material	Finish	Qty/reel
A2541TF-PT1B	AWG#22-#26	1.6mm(max)	Phosphor Bronze	Tin-plated	15,000pcs
A2541TF-PG1B	AWG#22-#26	1.6mm(max)	Phosphor Bronze	Gold plated	15,000pcs