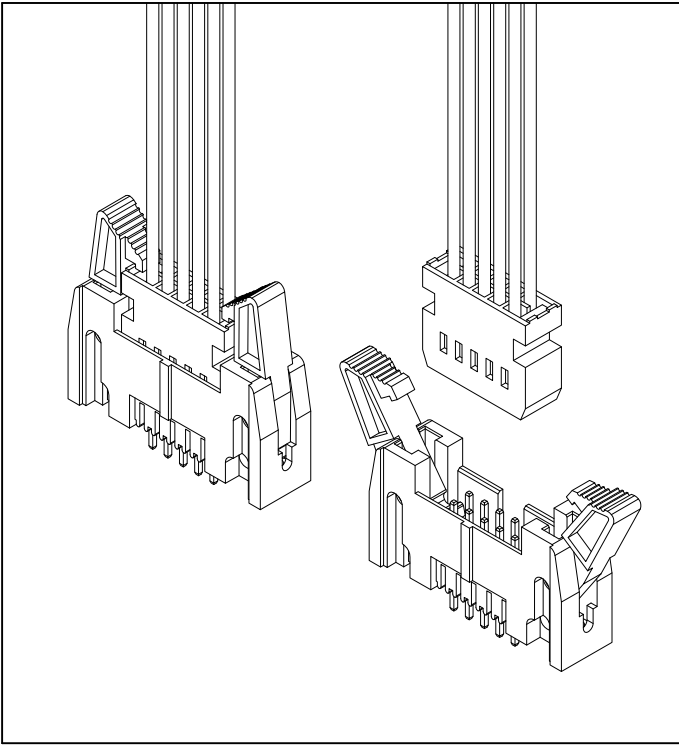


## SPECIFICATIONS:

Voltage Rating: 250V AC/DC  
 Current Rating: 3A AC/DC  
 Withstanding Voltage: 1500V AC/Minute  
 Temperature Range: -25°C~+85°C  
 Insulation Resistance: 1000MΩ Min.  
 Contact Resistance: 20mΩ Max.  
 Applicable Wire Range: AWG#22~26.

## Assembly Layout:



### A2544HA-2NP-P0BK

2.54mm Pitch Dual Row Housing

#### Reference Informations:

\*Material:

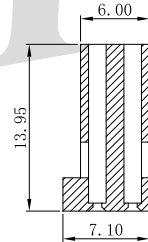
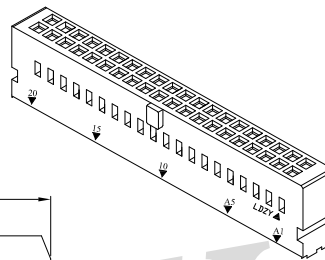
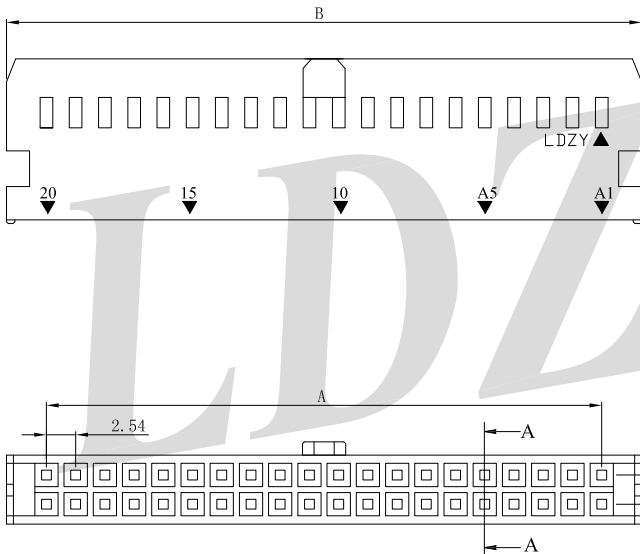
Housing: PBT UL94V-0/Black

\*Suitable LDZY A2544 series Terminal

\*Mates with LDZY A2544 series Wafer

#### Ordering Information & Dimensions

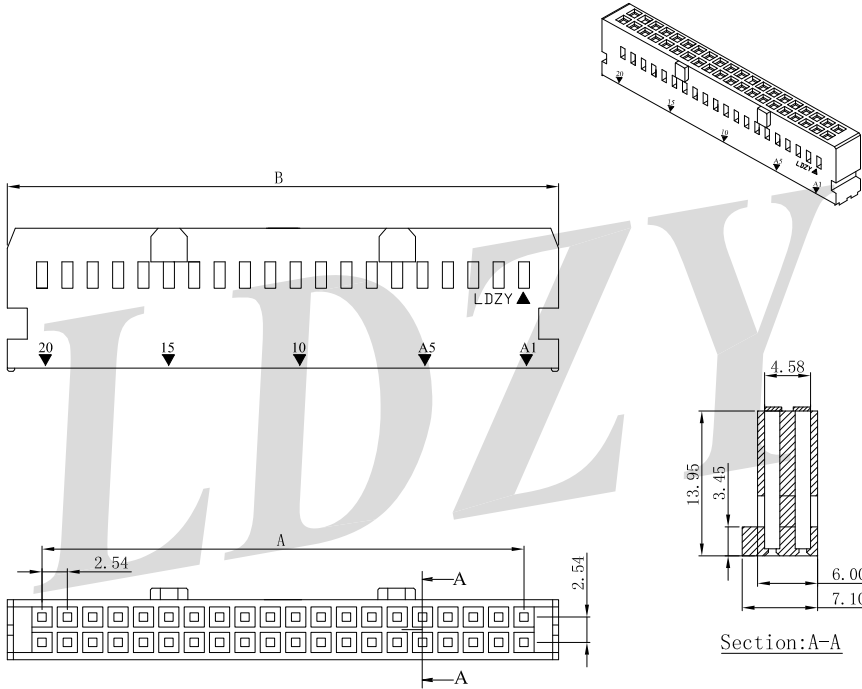
Poles	Dimensions (mm)		Poles	Dimensions (mm)	
	A	B		A	B
2*2P	2.54	9.48	2*21P	50.80	57.74
2*3P	5.08	12.02	2*22P	53.34	60.28
2*4P	7.62	14.56	2*23P	55.88	62.82
2*5P	10.16	17.10	2*24P	58.42	65.36
2*6P	12.70	19.64	2*25P	60.96	67.90
2*7P	15.24	22.18	2*26P	63.50	70.44
2*8P	17.78	24.72	2*27P	66.04	72.98
2*9P	20.32	27.26	2*28P	68.58	75.52
2*10P	22.86	29.80	2*29P	71.12	78.06
2*11P	25.40	32.34	2*30P	73.66	80.60
2*12P	27.94	34.88	2*31P	76.20	83.14
2*13P	30.48	37.42	2*32P	78.74	85.68
2*14P	33.02	39.96			
2*15P	35.56	42.50			
2*16P	38.10	45.04			
2*17P	40.64	47.58			
2*18P	43.18	50.12			
2*19P	45.72	52.66			
2*20P	48.26	55.20			



Section:A-A

## A2544HB-2NP-P0BK

### 2.54mm Pitch Dual Row Housing



#### Reference Informations:

\*Material:

Housing: PBT UL94V-0/Black

\*Suitable LDZY A2544 series Terminal

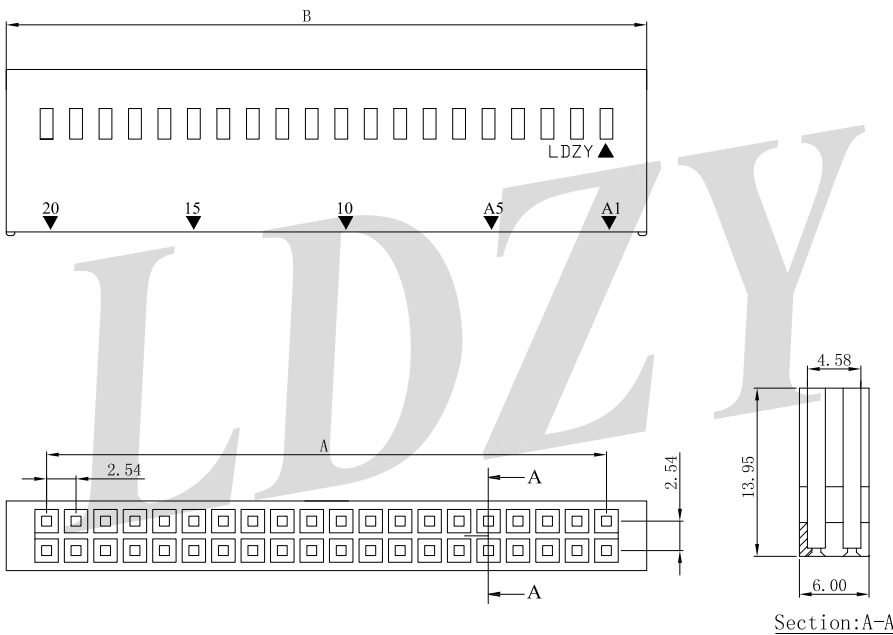
\*Mates with LDZY A2544 series Wafer

#### Ordering Information & Dimensions

Poles	Dimensions (mm)		Poles	Dimensions (mm)	
	A	B		A	B
2*5P	10.16	17.10	2*21P	50.80	57.74
2*6P	12.70	19.64	2*22P	53.34	60.28
2*7P	15.24	22.18	2*23P	55.88	62.82
2*8P	17.78	24.72	2*24P	58.42	65.36
2*9P	20.32	27.26	2*25P	60.96	67.90
2*10P	22.86	29.80	2*26P	63.50	70.44
2*11P	25.40	32.34	2*27P	66.04	72.98
2*12P	27.94	34.88	2*28P	68.58	75.52
2*13P	30.48	37.42	2*29P	71.12	78.06
2*14P	33.02	39.96	2*30P	73.66	80.60
2*15P	35.56	42.50	2*31P	76.20	83.14
2*16P	38.10	45.04	2*32P	78.74	85.68
2*17P	40.64	47.58			
2*18P	43.18	50.12			
2*19P	45.72	52.66			
2*20P	48.26	55.20			

## A2544HC-NP-P0BK

### 2.54mm Pitch Dual Row Housing



#### Reference Informations:

\*Material:

Housing: PBT UL94V-0/Black

\*Suitable LDZY A2544 series Terminal

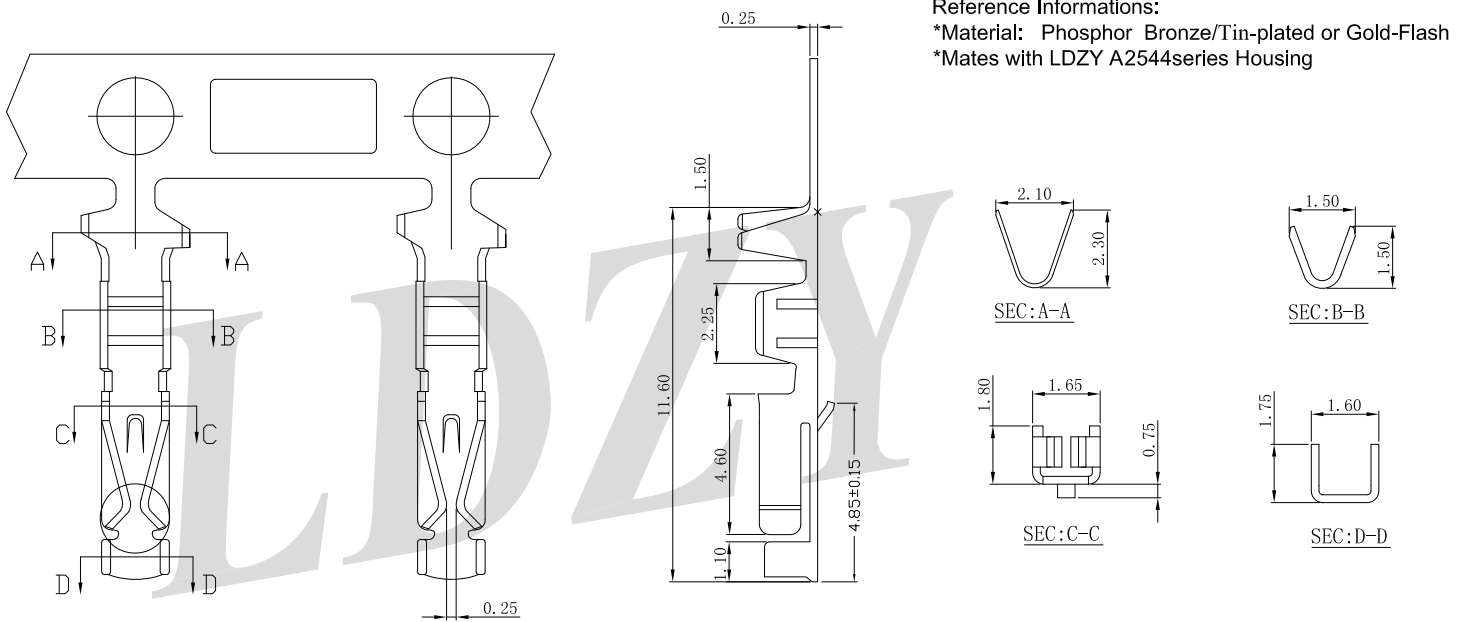
\*Mates with LDZY A2544 series Wafer

#### Ordering Information & Dimensions

Poles	Dimensions (mm)		Poles	Dimensions (mm)	
	A	B		A	B
2*2P	2.54	5.05	2*21P	50.80	53.31
2*3P	5.08	7.59	2*22P	53.34	55.85
2*4P	7.62	10.13	2*23P	55.88	58.39
2*5P	10.16	12.67	2*24P	58.42	60.93
2*6P	12.70	15.21	2*25P	60.96	63.47
2*7P	15.24	17.75	2*26P	63.50	66.01
2*8P	17.78	20.29	2*27P	66.04	68.55
2*9P	20.32	22.83	2*28P	68.58	71.09
2*10P	22.86	25.37	2*29P	71.12	73.63
2*11P	25.40	27.91	2*30P	73.66	76.17
2*12P	27.94	30.45	2*31P	76.20	78.71
2*13P	30.48	32.99	2*32P	78.74	81.25
2*14P	33.02	35.53			
2*15P	35.56	38.07			
2*16P	38.10	40.61			
2*17P	40.64	43.15			
2*18P	43.18	45.69			
2*19P	45.72	48.23			
2*20P	48.26	50.77			

## A2544TF-PXXA

### 2.54mm Pitch Terminal

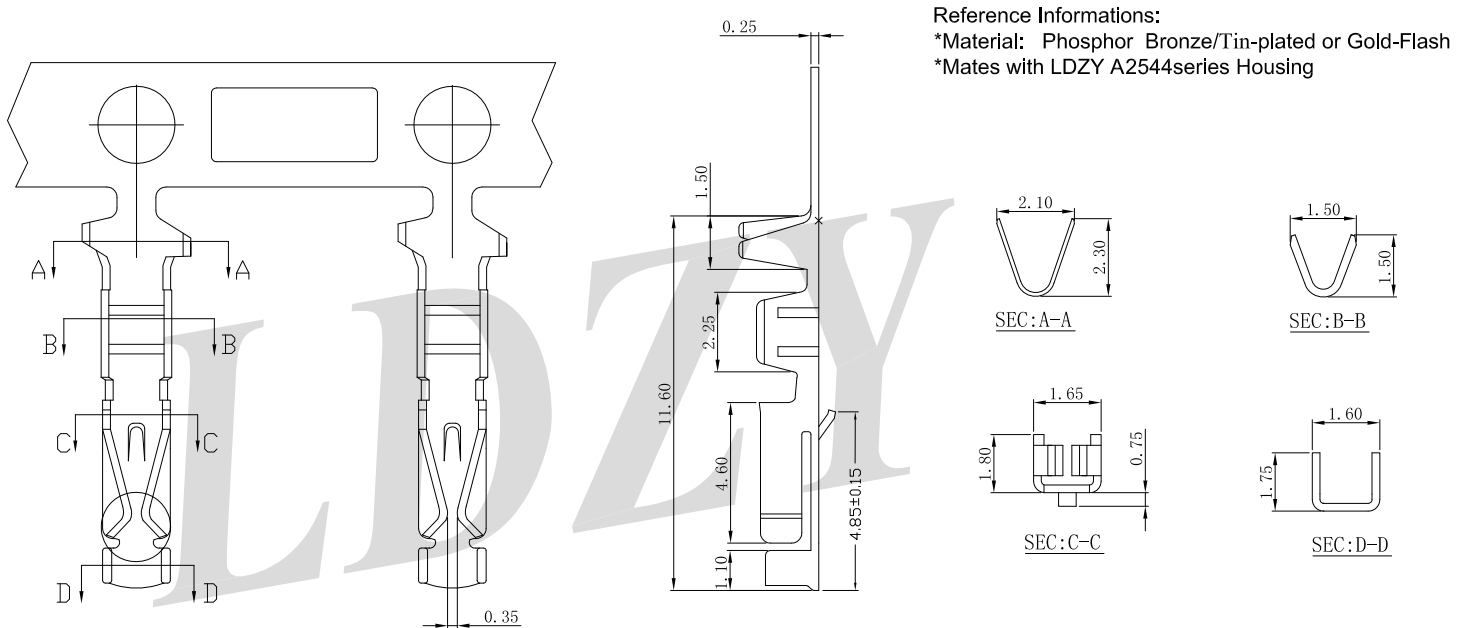


#### Ordering Information & Specifications

Part No	Wire Range	Insulation O.D.	Material	Finish	Qty/reel
A2544TF-PT1A	AWG#22-#26	1.63mm(max)	Phosphor Bronze	Tin-plated	10,000pcs
A2544TF-PGTA	AWG#22-#26	1.63mm(max)	Phosphor Bronze	Gold-Flash	10,000pcs

## A2544TF-PXXB

### 2.54mm Pitch Terminal



#### Ordering Information & Specifications

Part No	Wire Range	Insulation O.D.	Material	Finish	Qty/reel
A2544TF-PT1B	AWG#22-#26	1.63mm(max)	Phosphor Bronze	Tin-plated	10,000pcs
A2544TF-PGTB	AWG#22-#26	1.63mm(max)	Phosphor Bronze	Gold-Flash	10,000pcs

## A2544WVA-2NP-POBKG

2.54mm Pitch 180° Dual Row Wafer

Reference Informations:

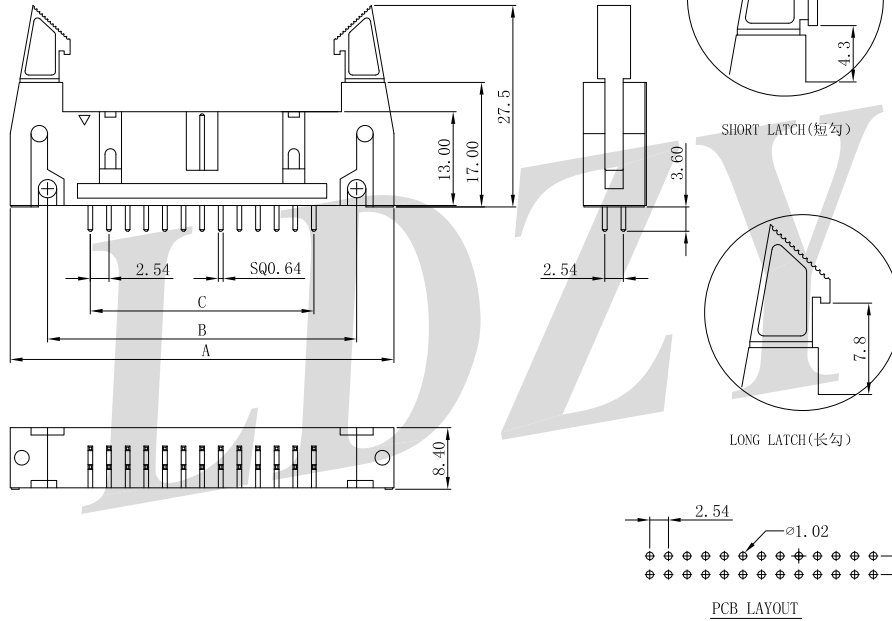
\*Material:

PIN: Brass/Gold-flash

Wafer: PBT,UL94V-0 Black

\*Suitable LDZY A2544 series Housing

Ordering Information & Dimensions



Poles	Dimensions (mm)			Poles	Dimensions (mm)		
	A	B	C		A	B	C
2*2P	24.38	14.22	2.54	2*18P	65.02	54.86	43.18
2*3P	26.92	16.76	5.08	2*19P	67.56	57.40	45.72
2*4P	29.46	19.30	7.62	2*20P	70.10	59.94	48.26
2*5P	32.00	21.84	10.16	2*21P	72.64	62.48	50.80
2*6P	34.54	24.38	12.70	2*22P	75.18	65.02	53.34
2*7P	37.08	26.92	15.24	2*23P	77.72	67.56	55.88
2*8P	39.62	29.46	17.78	2*24P	80.26	70.10	58.42
2*9P	42.16	32.00	20.32	2*25P	82.80	72.64	60.96
2*10P	44.70	34.54	22.86	2*26P	85.34	75.18	63.50
2*11P	47.24	37.08	25.40	2*27P	87.88	77.72	66.04
2*12P	49.78	39.62	27.94	2*28P	90.42	80.26	68.58
2*13P	52.32	42.16	30.48	2*29P	92.96	82.80	71.12
2*14P	54.86	44.70	32.02	2*30P	95.50	85.34	73.66
2*15P	57.40	47.24	35.56	2*31P	98.04	87.88	76.20
2*16P	59.94	49.78	38.10	2*32P	100.58	90.42	78.74
2*17P	62.48	52.32	40.64				

## A2544WVAS-2NP-6TBKG

2.54mm Pitch 180° SMT Dual Row Wafer

Reference Informations:

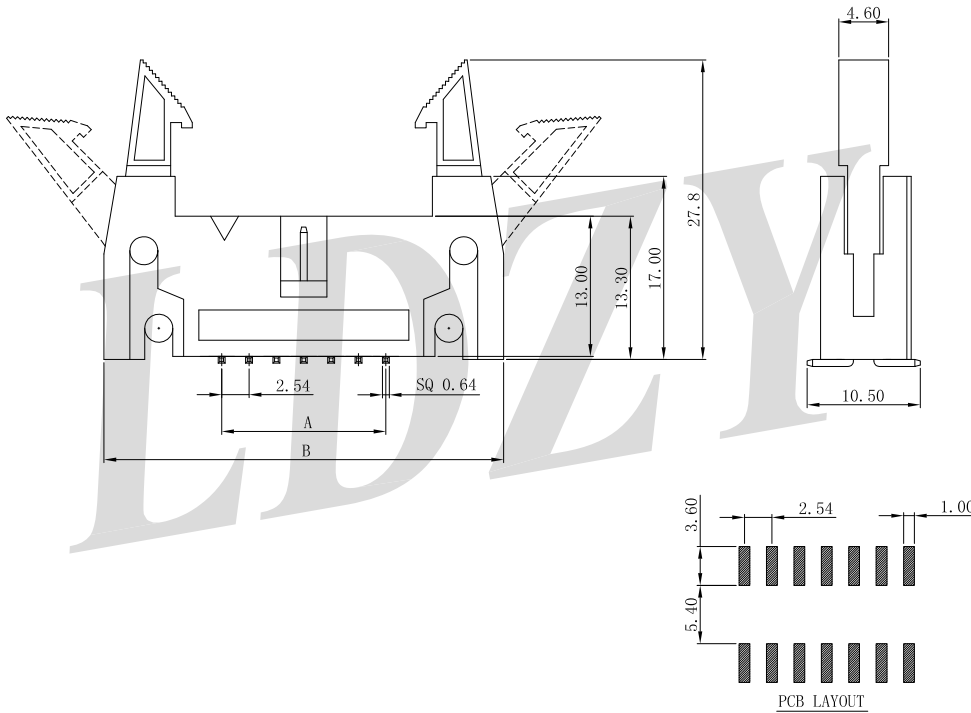
\*Material:

PIN: Brass/Gold-flash

Wafer: PA6T,UL94V-0 Black

\*Suitable LDZY A2544 series Housing

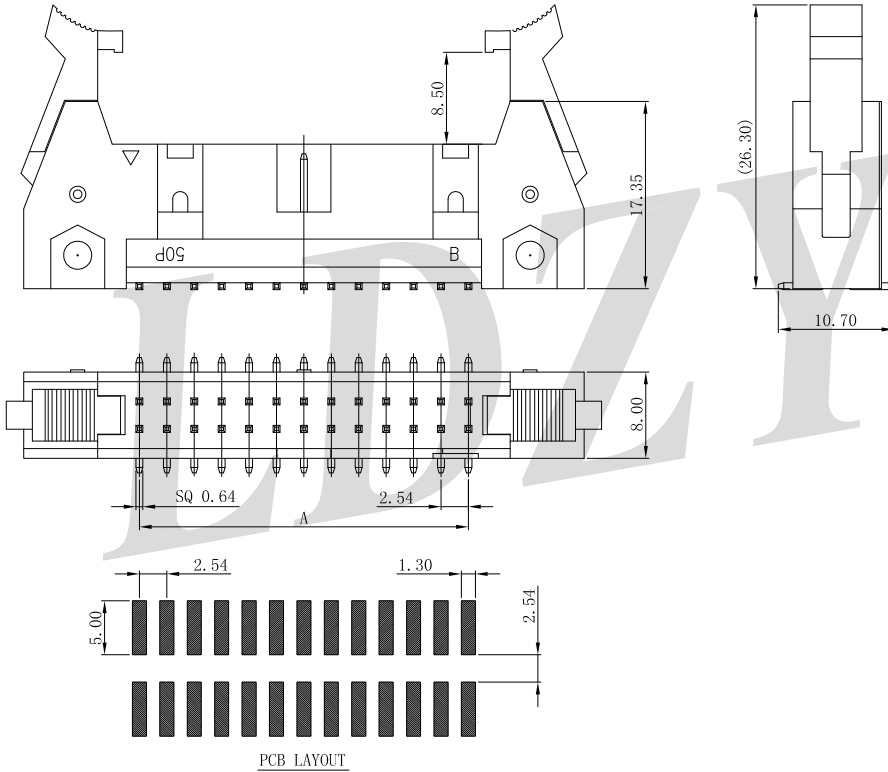
Ordering Information & Dimensions



Poles	Dimensions (mm)	
	A	B
2*5P	10.16	32.00
2*6P	12.70	34.56
2*7P	15.24	37.08
2*8P	17.78	39.62
2*9P	20.32	42.16
2*10P	22.86	44.70
2*13P	30.48	52.32
2*15P	35.56	57.40
2*17P	40.64	62.48
2*20P	48.26	70.10
2*25P	60.96	82.80
2*30P	73.66	95.50
2*32P	78.74	100.58

## A2544WVBS-2NP-6TBKG

2.54mm Pitch 180° Dual Row Wafer



Reference Informations:

\*Material:

PIN: Brass/Gold-flash

Wafer: PA6T,UL94V-0 Black

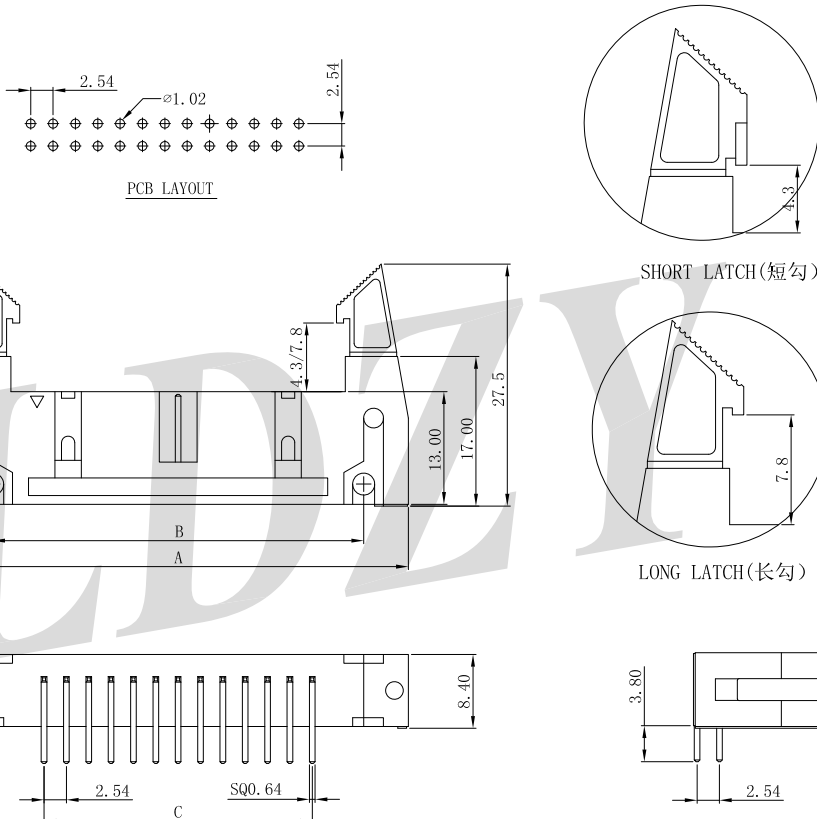
\*Suitable LDZY A2544 series Housing

Ordering Information & Dimensions

Poles	Dimensions (mm)		Poles	Dimensions (mm)	
	A			A	
2*2P	2.54		2*18P	43.18	
2*3P	5.08		2*19P	45.72	
2*4P	7.62		2*20P	48.26	
2*5P	10.16		2*21P	50.80	
2*6P	12.70		2*22P	53.34	
2*7P	15.24		2*23P	55.88	
2*8P	17.78		2*24P	58.42	
2*9P	20.32		2*25P	60.96	
2*10P	22.86		2*26P	63.50	
2*11P	25.40		2*27P	66.04	
2*12P	27.94		2*28P	68.58	
2*13P	30.48		2*29P	71.12	
2*14P	32.02		2*30P	73.66	
2*15P	35.56		2*31P	76.20	
2*16P	38.10		2*32P	78.74	
2*17P	40.64				

## A2544WRA-2NP-P0BKG

2.54mm Pitch 90° Dual Row Wafer



Reference Informations:

\*Material:

PIN: Brass/Gold-flash

Wafer: PBT,UL94V-0 Black

\*Suitable LDZY A2544 series Housing

Ordering Information & Dimensions

Poles	Dimensions (mm)			Poles	Dimensions (mm)		
	A	B	C		A	B	C
2*2P	24.38	14.22	2.54	2*18P	65.02	54.86	43.18
2*3P	26.92	16.76	5.08	2*19P	67.56	57.40	45.72
2*4P	29.46	19.30	7.62	2*20P	70.10	59.94	48.26
2*5P	32.00	21.84	10.16	2*21P	72.64	62.48	50.80
2*6P	34.54	24.38	12.70	2*22P	75.18	65.02	53.34
2*7P	37.08	26.92	15.24	2*23P	77.72	67.56	55.88
2*8P	39.62	29.46	17.78	2*24P	80.26	70.10	58.42
2*9P	42.16	32.00	20.32	2*25P	82.80	72.64	60.96
2*10P	44.70	34.54	22.86	2*26P	85.34	75.18	63.50
2*11P	47.24	37.08	25.40	2*27P	87.88	77.72	66.04
2*12P	49.78	39.62	27.94	2*28P	90.42	80.26	68.58
2*13P	52.32	42.16	30.48	2*29P	92.96	82.80	71.12
2*14P	54.86	44.70	32.02	2*30P	95.50	85.34	73.66
2*15P	57.40	47.24	35.56	2*31P	98.04	87.88	76.20
2*16P	59.94	49.78	38.10	2*32P	100.58	90.42	78.74
2*17P	62.48	52.32	40.64				