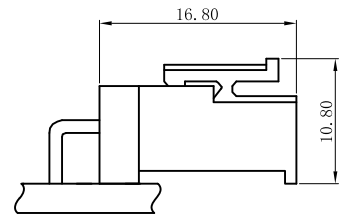
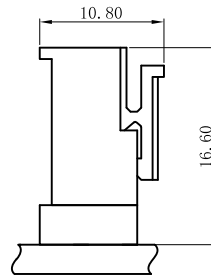
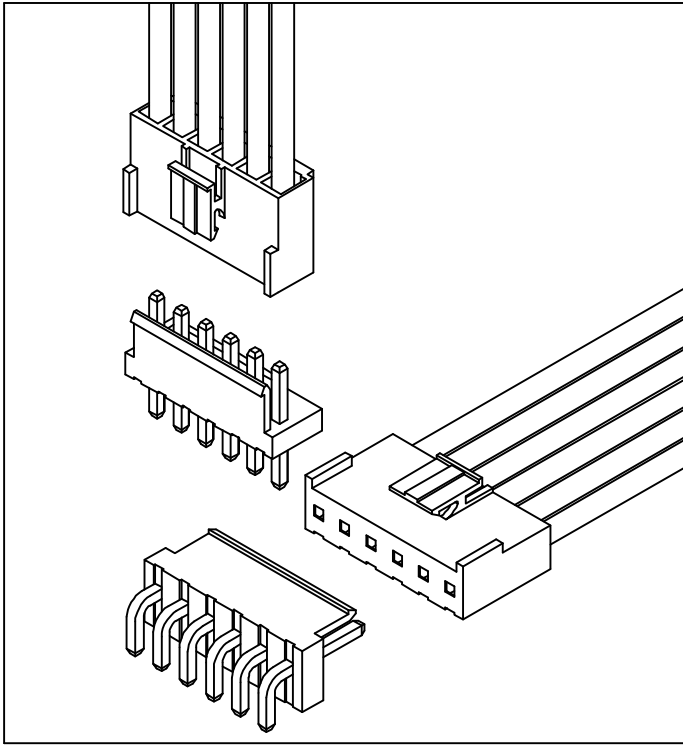


SPECIFICATIONS:

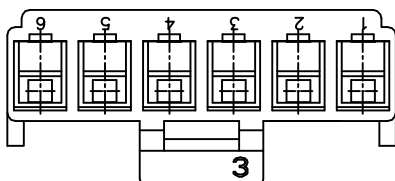
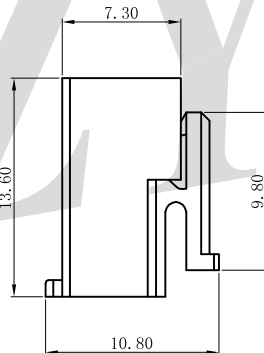
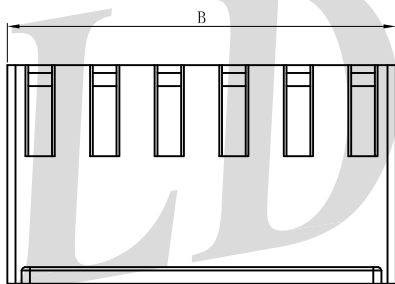
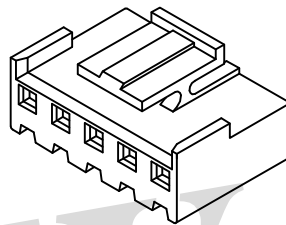
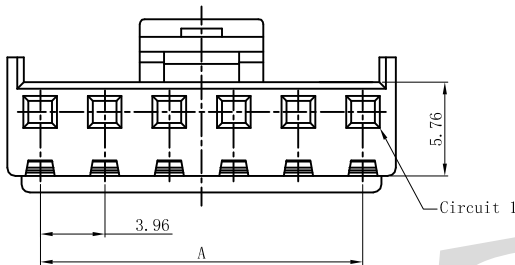
Voltage Rating: 250V AC/DC
 Current Rating: 7A AC/DC
 Withstanding Voltage: 1500V AC/Minute
 Temperature Range: -25°C~+85°C
 Insulation Resistance: 1000MΩ Min.
 Contact Resistance: 10mΩ Max.
 Applicable Wire Range: AWG#18~22.

Assembly Layout:



A3961H-NP-NONA

3.96mm Pitch Single Row Housing



Reference Informations:

*Material:

Housing: PA66 UL94V-0/Natural

*Suitable LDZY A3961 series Terminal

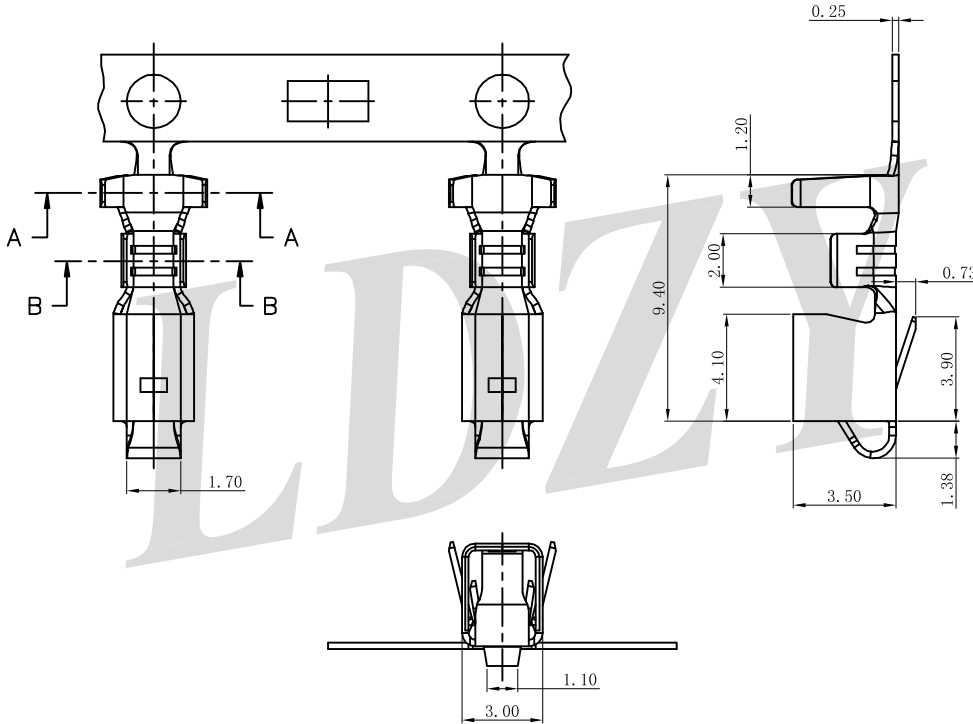
*Mates with LDZY A3961 series Wafer

Ordering Information & Dimensions

| Poles | Dimensions (mm) | |
|-------|-----------------|-------|
| | A | B |
| 02 | 3.96 | 8.28 |
| 03 | 7.92 | 12.24 |
| 04 | 11.88 | 16.20 |
| 05 | 15.84 | 20.16 |
| 06 | 19.80 | 24.12 |
| 07 | 23.76 | 28.08 |
| 08 | 27.72 | 32.04 |
| 09 | 31.68 | 36.00 |
| 10 | 35.64 | 39.96 |
| 11 | 39.60 | 43.92 |
| 12 | 43.56 | 47.88 |
| 13 | 47.52 | 51.84 |
| 14 | 51.48 | 55.80 |
| 15 | 55.44 | 59.76 |

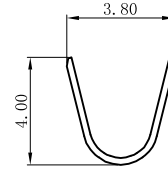
A3961TF-PT1

3.96mm Pitch Terminal

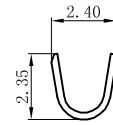


Reference Informations:

- *Material: Phosphor Bronze/Tin-plated
- *Mates with LDZY A3961series Housing



SEC:A-A



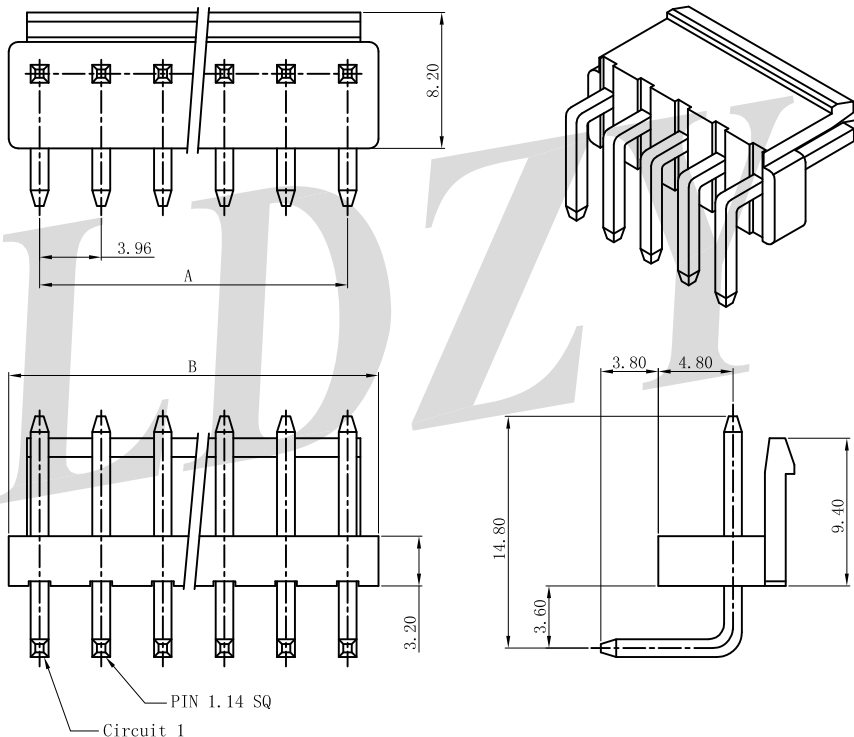
SEC:B-B

Ordering Information & Specifications

| Part No | Wire Range | Insulation O.D. | Material | Finish | Qty/reel |
|-------------|------------|-----------------|-----------------|------------|----------|
| A3961TF-PT1 | AWG#18-#22 | 2.80mm(max) | Phosphor Bronze | Tin-plated | 3,000pcs |

A3961WR-NP-N0NAT

3.96mm Pitch 90° Single Row Wafer

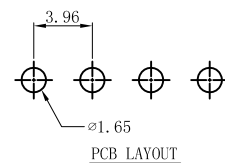


Reference Informations:

- *Material: PIN: Brass/Tin-plated
Wafer: PA66,UL94V-0 / Natrual
- *Suitable LDZY A3961 series Housing

Ordering Information & Dimensions

| Poles | Dimensions (mm) | |
|-------|-----------------|-------|
| | A | B |
| 02 | 3.96 | 7.92 |
| 03 | 7.92 | 11.88 |
| 04 | 11.88 | 15.84 |
| 05 | 15.84 | 19.80 |
| 06 | 19.80 | 23.76 |
| 07 | 23.76 | 27.72 |
| 08 | 27.72 | 31.68 |
| 09 | 31.68 | 35.64 |
| 10 | 35.64 | 39.60 |
| 11 | 39.60 | 43.56 |
| 12 | 43.56 | 47.52 |
| 13 | 47.52 | 51.48 |
| 14 | 51.48 | 55.44 |
| 15 | 55.44 | 59.40 |



PCB LAYOUT

A3961WV-NP-N0NAT

3.96mm Pitch 180° Single Row Wafer

Reference Informations:

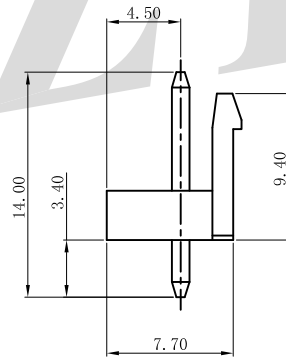
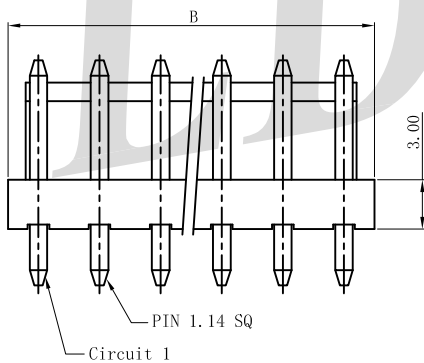
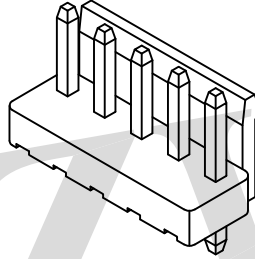
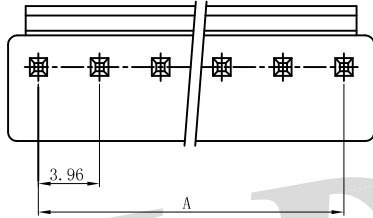
*Material:

PIN: Brass/Tin-plated

Wafer: PA66,UL94V-0 / Natrual

*Suitable LDZY A3961 series Housing

Ordering Information & Dimensions



| Poles | Dimensions (mm) | |
|-------|-----------------|-------|
| | A | B |
| 02 | 3.96 | 7.99 |
| 03 | 7.92 | 11.95 |
| 04 | 11.88 | 15.91 |
| 05 | 15.84 | 19.87 |
| 06 | 19.80 | 23.83 |
| 07 | 23.76 | 27.79 |
| 08 | 27.72 | 31.75 |
| 09 | 31.68 | 35.71 |
| 10 | 35.64 | 39.67 |
| 11 | 39.60 | 43.63 |
| 12 | 43.56 | 47.59 |
| 13 | 47.52 | 51.55 |
| 14 | 51.48 | 55.51 |
| 15 | 55.44 | 59.47 |

