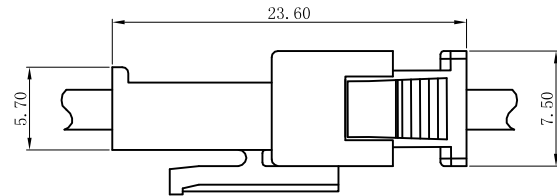


SPECIFICATIONS:

- Voltage Rating: 250V AC/DC
- Current Rating: 3A AC/DC
- Withstanding Voltage: 1500V AC/Minute
- Temperature Range: -25°C~+85°C
- Insulation Resistance: 500MΩ Min.
- Contact Resistance: 10mΩ Max.
- Applicable Wire Range: AWG#22~28.

Assembly Layout:



C2505HF-NP-NOBK 2.50mm Pitch Single Row Housing

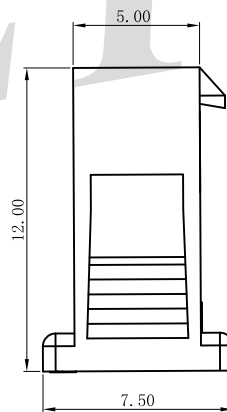
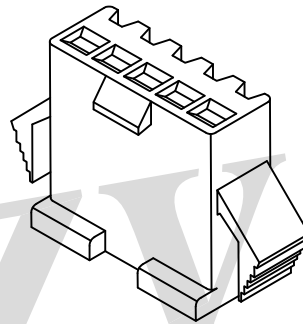
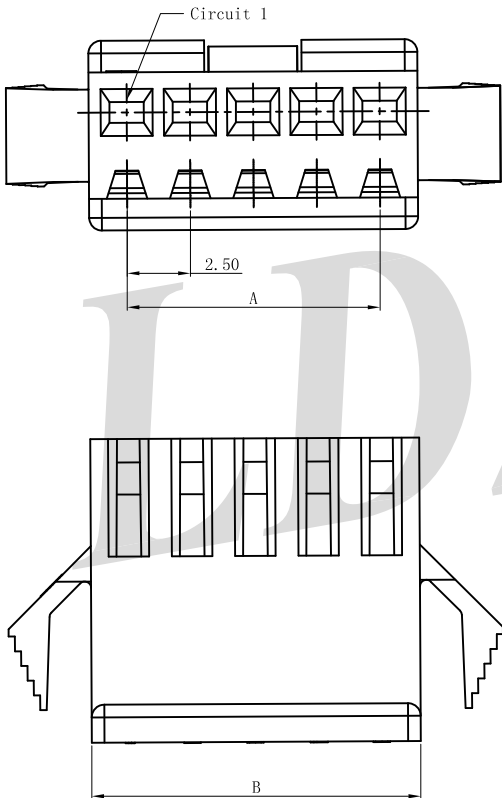
Reference Informations:

*Material:

Housing: PA66 UL94V-0/Black

*Suitable LDZY C2505 series Terminal

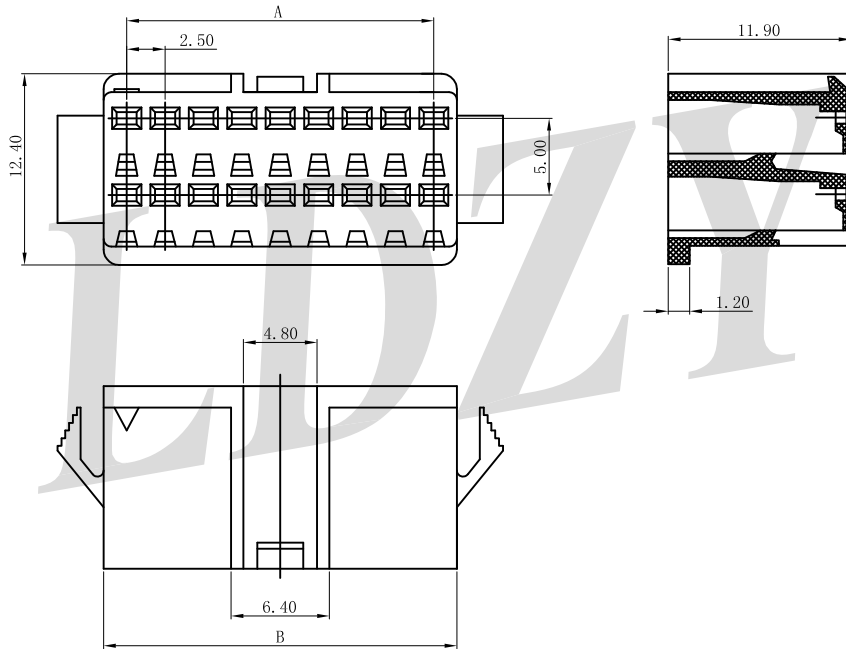
*Mates with LDZY C2505 Male Housing
Ordering Information & Dimensions



Poles	Dimensions (mm)	
	A	B
02	2.50	5.50
03	5.00	8.00
04	7.50	10.50
05	10.00	13.00
06	12.50	15.50
07	15.00	18.00
08	17.50	20.50
09	20.00	23.00
10	22.50	25.50
11	25.00	28.00
12	27.50	30.50

C2505HF-2NP-NOBK

2.50mm Pitch Dual Row Housing



Reference Informations:

*Material:

Housing: PA66 UL94V-0/Black

*Suitable LDZY C2505 series Terminal

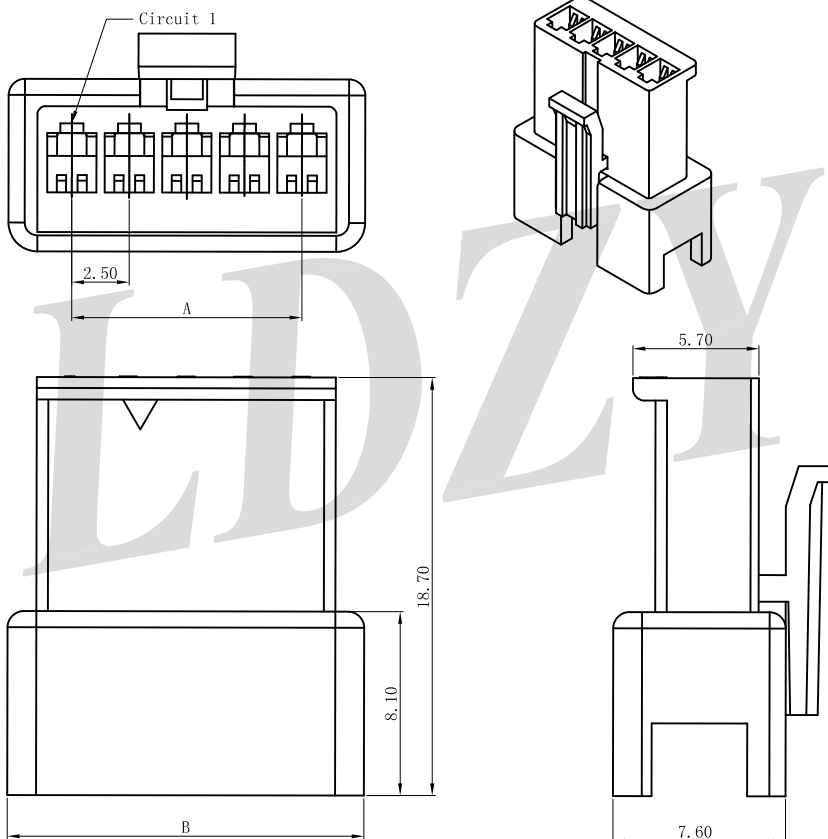
*Mates with LDZY C2505 Male Housing

Ordering Information & Dimensions

Poles	Dimensions (mm)	
	A	B
2*7	15.00	18.00
2*8	17.50	20.50
2*9	20.00	23.00
2*10	22.50	25.50

C2505HM-NP-NOBK

2.50mm Pitch Single Row Housing



Reference Informations:

*Material:

Housing: PA66 UL94V-0/Black

*Suitable LDZY C2505 series Terminal

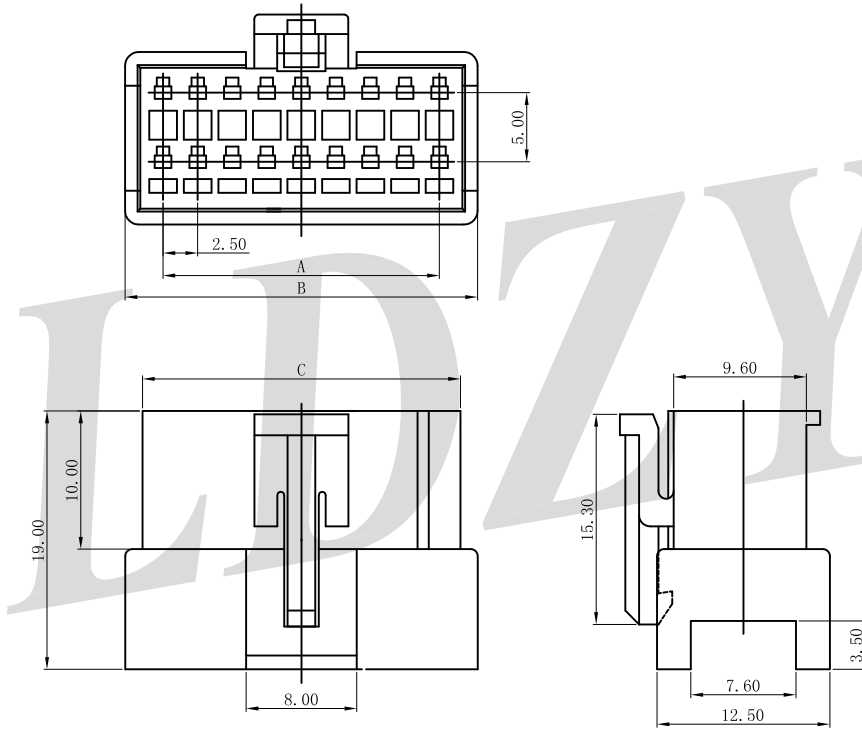
*Mates with LDZY C2505 Female Housing

Ordering Information & Dimensions

Poles	Dimensions (mm)	
	A	B
02	2.50	8.00
03	5.00	10.50
04	7.50	13.00
05	10.00	15.50
06	12.50	18.00
07	15.00	20.50
08	17.50	23.00
09	20.00	25.50
10	22.50	28.00
11	25.00	30.50
12	27.50	33.00

C2505HM-2NP-N2BK

2.50mm Pitch Dual Row Housing



Reference Informations:

*Material:

Housing: PA66 UL94V-2/Black

*Suitable LDZY C2505 series Terminal

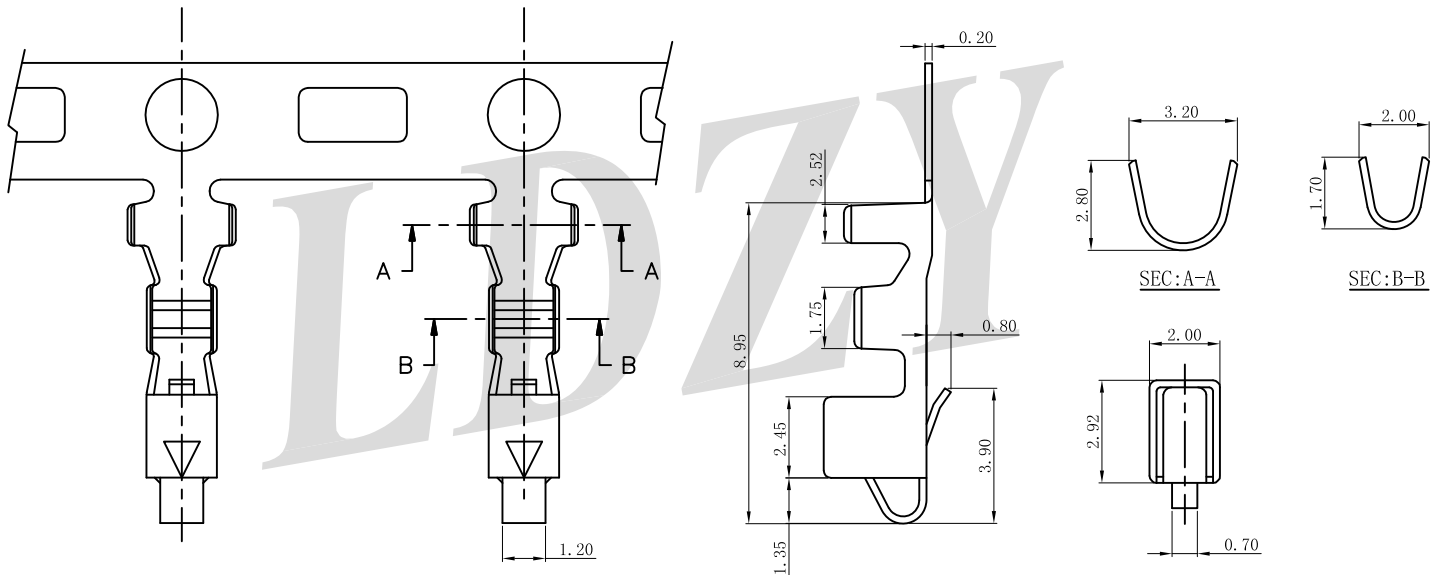
*Mates with LDZY C2505 Female Housing

Ordering Information & Dimensions

Poles	Dimensions (mm)		
	A	B	C
2*7	15.00	20.50	18.00
2*8	17.50	23.00	20.50
2*9	20.00	25.50	23.00
2*10	22.50	28.00	25.50

C2505TF-PT1

2.50mm Pitch Terminal



Reference Informations:

*Material: Phosphor Bronze/Tin-plated

*Mates with LDZY C2505 series Housing

Ordering Information & Specifications

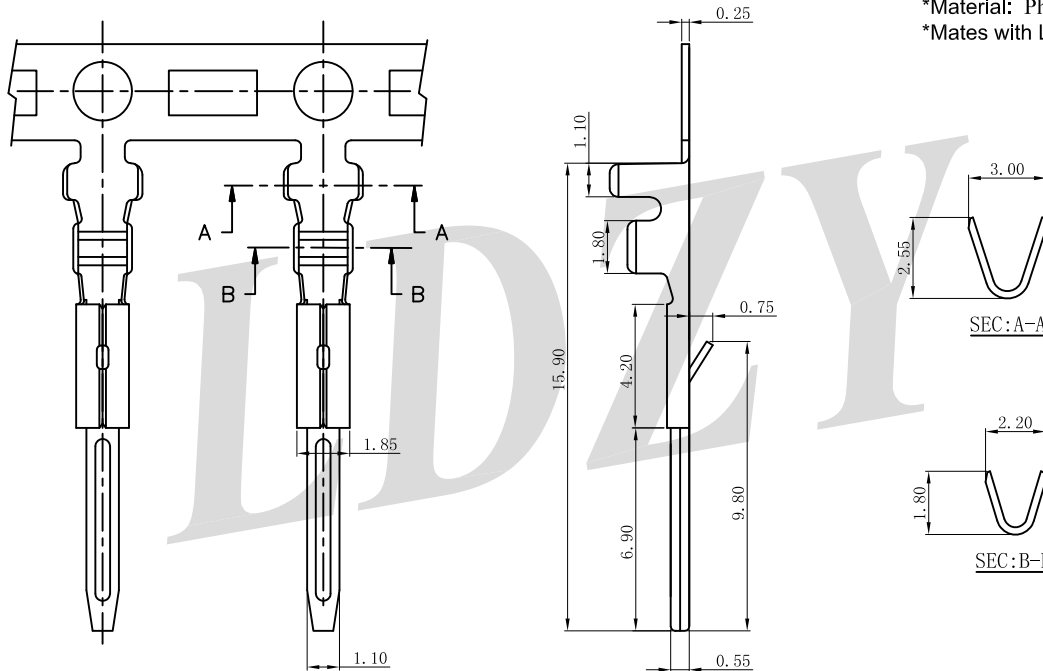
Part No	Wire Range	Insulation O.D.	Material	Finish	Qty/reel
C2505TF-PT1	AWG#22-#28	1.80mm(max)	Phosphor Bronze	Tin-plated	5,000pcs

C2505TM-PT1

2.50mm Pitch Terminal

Reference Informations:

- *Material: Phosphor Bronze/Tin-plated
- *Mates with LDZY C2505 series Housing



Part No	Wire Range	Insulation O.D.	Material	Finish	Qty/reel
C2505TM-PT1	AWG#22-#28	1.80mm(max)	Phosphor Bronze	Tin-plated	10,000pcs