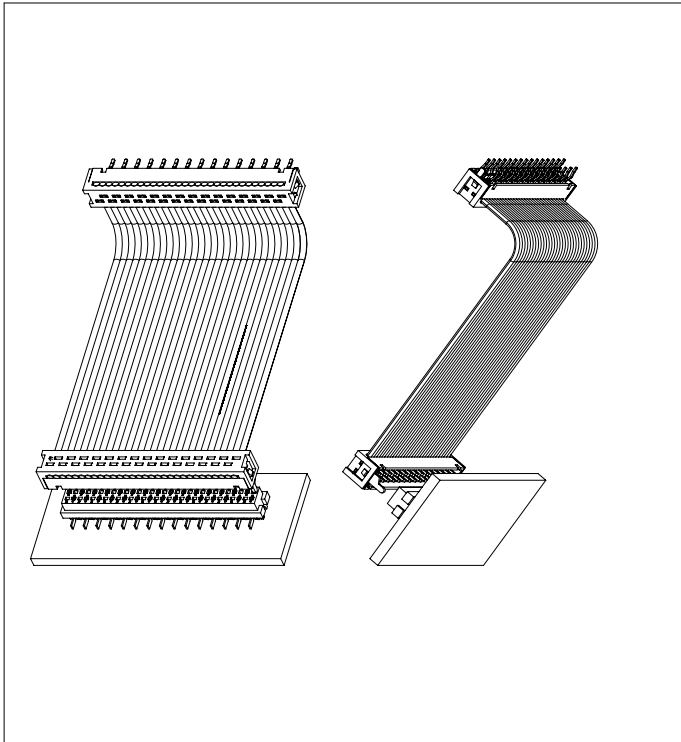
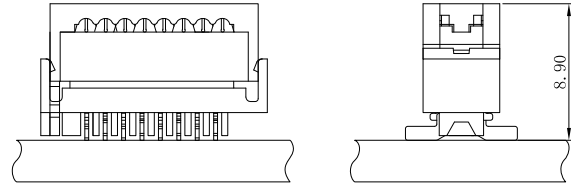


**SPECIFICATIONS:**

- Voltage Rating: 500V AC/DC
- Current Rating: 1A AC/DC
- Withstanding Voltage: 500V AC/Minute
- Temperature Range: -40°C~+105°C
- Insulation Resistance: 1000MΩ Min.
- Contact Resistance: 20mΩ Max.
- Applicable Wire Range: AWG#20~24.

**Assembly Layout:**



**D1274HM-2NP-P0RE**

1.27mm Pitch Dual Row Housing

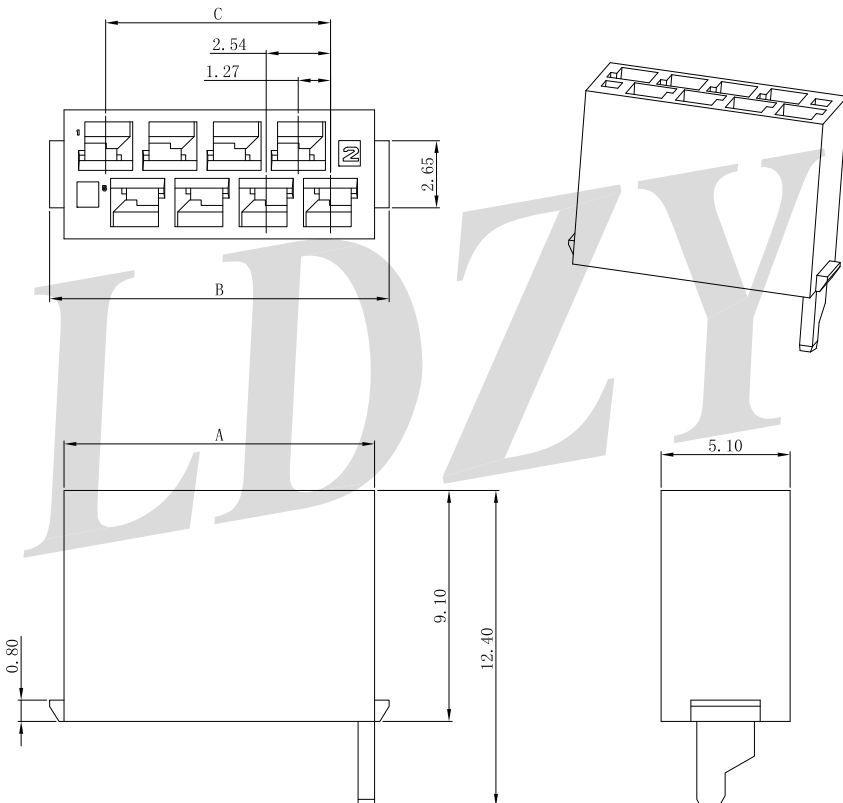
Reference Informations:

\*Material:

Housing: PBT UL94V-0/Red

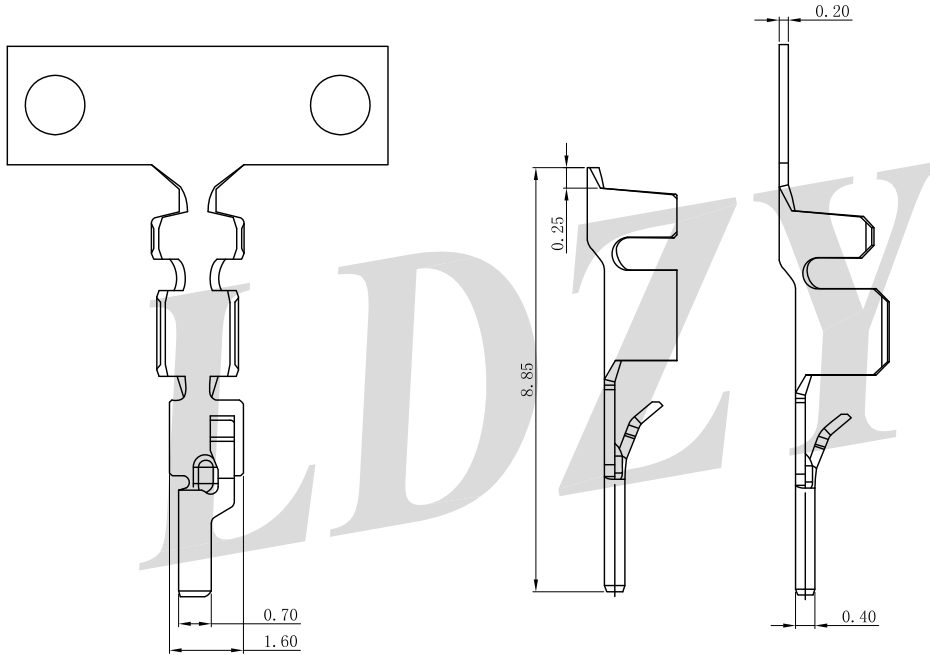
\*Suitable LDZY D1274 series Terminal  
Ordering Information & Dimensions

Poles	Dimensions (mm)		
	A	B	C
2*2P	7.20	8.40	3.81
2*3P	9.80	10.90	6.35
2*4P	12.30	13.50	8.89
2*5P	14.90	16.00	11.43
2*6P	17.40	18.50	13.97
2*7P	19.90	21.10	16.51
2*8P	22.50	23.60	19.05
2*9P	25.00	26.20	21.59
2*10P	27.60	28.70	24.13
2*11P	30.20	31.20	26.67
2*12P	32.80	33.80	29.21
2*13P	35.40	36.40	31.75



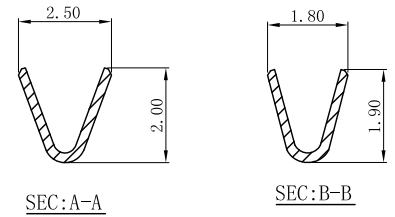
## D1274TM-PT1

1.27mm Pitch Terminal



**Reference Informations:**

- \*Material: Phosphor Bronze/Tin Plated
- \*Mates with LDZY D1270 series Housing

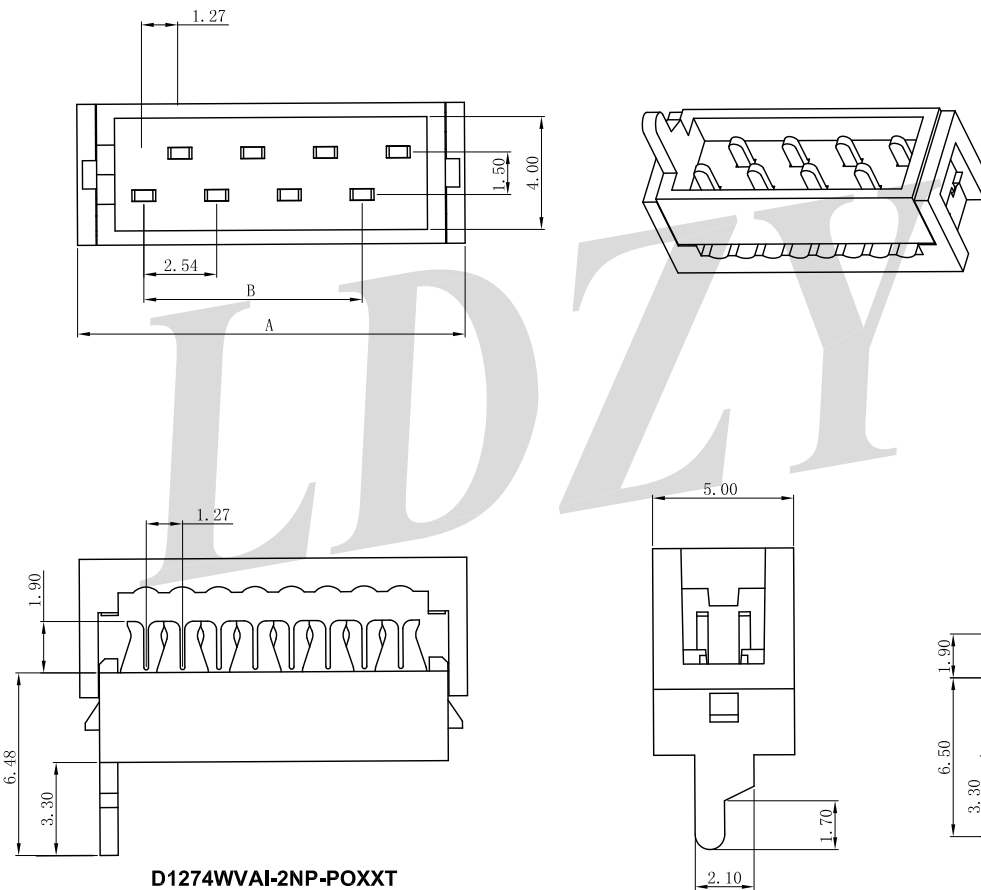


**Ordering Information & Specifications**

Part No	Wire Range	Insulation O.D.	Material	Finish	Qty/reel
D1274TM-PT1	AWG#20-#24	1.85mm(max)	Phosphor Bronze	Tin-Plated	10,000pcs

## D1274WVXI-2NP-POXXT

1.27mm Pitch IDC Dual Row Wafer



**Reference Informations:**

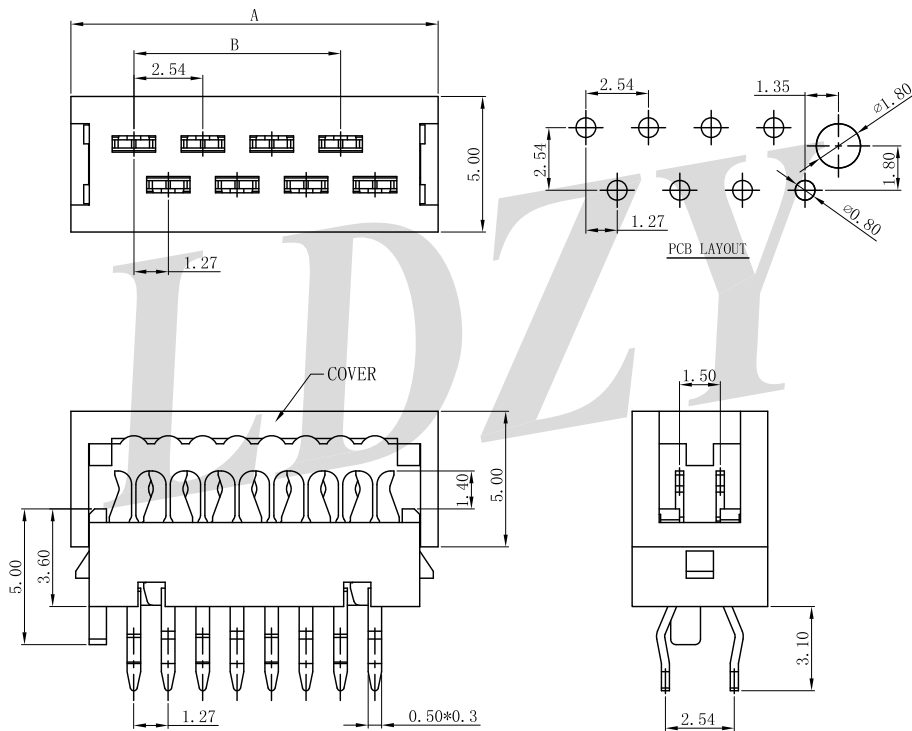
- \*Material:
    - PIN: Brass/Tin-plated
    - Wafer: PBT UL94V-0/ Red or Purple
  - \*Suitable LDZY D1274 series Housing
- Ordering Information & Dimensions**

Poles	Dimensions (mm)	
	A	B
2*2P	8.45	2.54
2*3P	10.99	5.08
2*4P	13.53	7.62
2*5P	16.07	10.16
2*6P	18.61	12.70
2*7P	21.15	15.24
2*8P	23.69	17.78
2*9P	26.23	20.32
2*10P	28.77	22.86
2*11P	31.31	25.40
2*12P	33.85	27.94
2*13P	36.39	30.48

D1274WVAI-2NP-POXXT

D1274WVBI-2NP-POXXT

## D1274WVCI-2NP-POXXT 1.27mm Pitch IDC Dual Row Wafer



**Reference Informations:**

\*Material:

PIN: Brass/Tin-plated

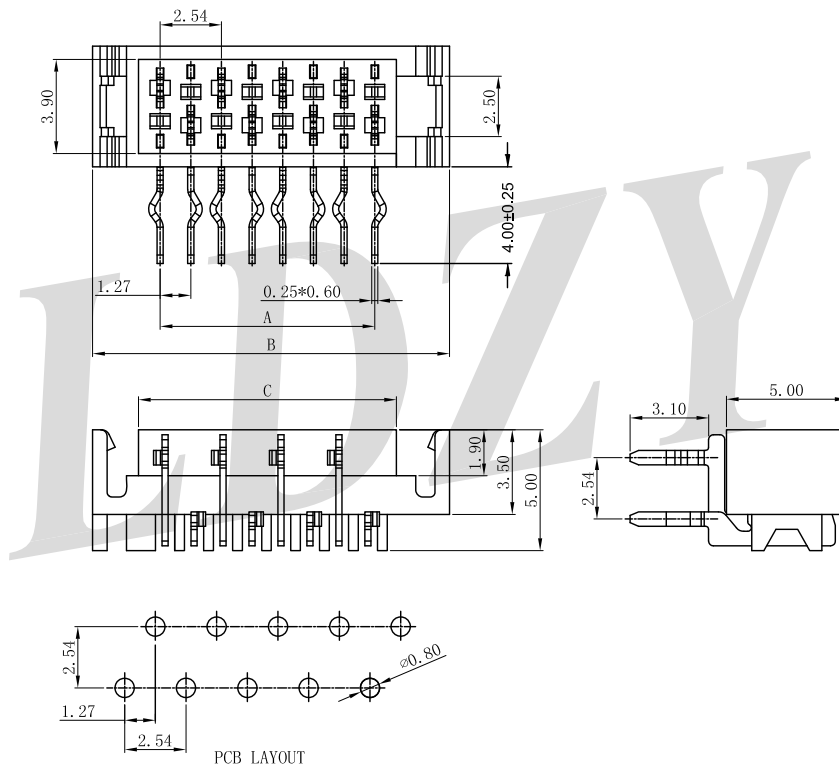
Wafer: PBT UL94V-0/ Red or Purple

\*Suitable LDZY D1274 series Housing

Ordering Information & Dimensions

Poles	Dimensions (mm)	
	A	B
2*2P	8.45	2.54
2*3P	10.99	5.08
2*4P	13.53	7.62
2*5P	16.07	10.16
2*6P	18.61	12.70
2*7P	21.15	15.24
2*8P	23.69	17.78
2*9P	26.23	20.32
2*10P	28.77	22.86
2*11P	31.31	25.40
2*12P	33.85	27.94
2*13P	36.39	30.48

## D1274WRF-2NP-9TRET 1.27mm Pitch 90° Dual Row Wafer



**Reference Informations:**

\*Material:

PIN: Brass/Tin-plated

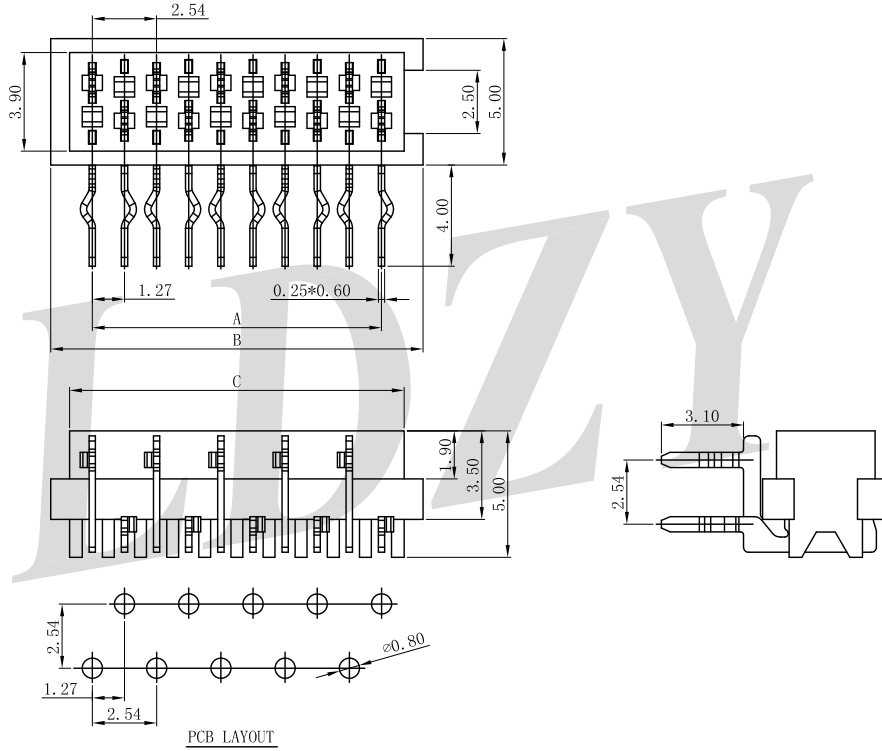
Wafer: PA9T UL94V-0/ Red

Ordering Information & Dimensions

Poles	Dimensions (mm)		
	A	B	C
2*2P	3.81	9.70	5.60
2*3P	6.35	12.24	8.14
2*4P	8.89	14.78	10.68
2*5P	11.43	17.32	13.22
2*6P	13.97	19.86	15.76
2*7P	16.51	22.40	18.30
2*8P	19.05	24.94	20.84
2*9P	21.59	27.48	23.38
2*10P	24.13	30.02	25.92
2*11P	26.67	32.56	28.46
2*12P	29.21	35.10	31.00
2*13P	31.75	37.64	33.54

## D1274WRD-2NP-9TREH

1.27mm Pitch 90° Dual Row Wafer



**Reference Informations:**

\*Material:

PIN: Phosphor Bronze

/High Temperature Tin

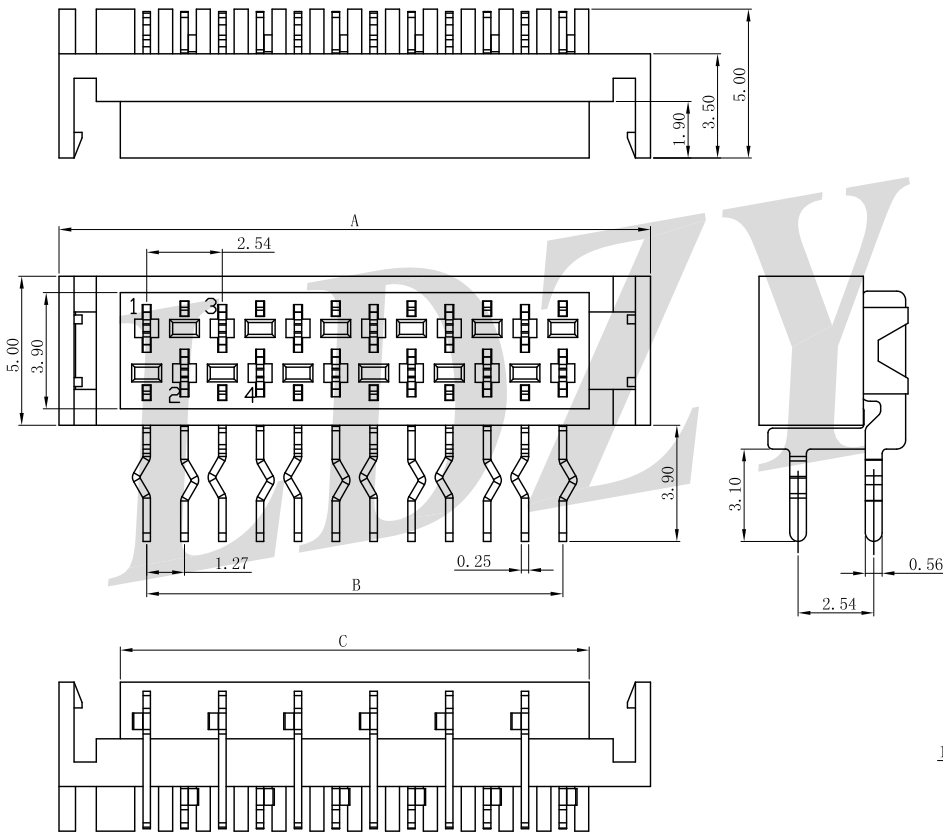
Wafer: PA9T UL94V-0/ Red

**Ordering Information & Dimensions**

Poles	Dimensions (mm)		
	A	B	C
2*2P	3.81	7.00	5.60
2*3P	6.35	9.54	8.14
2*4P	8.89	12.08	10.68
2*5P	11.43	14.62	13.22
2*6P	13.97	17.16	15.76
2*7P	16.51	19.70	18.30
2*8P	19.05	22.24	20.84
2*9P	21.59	24.78	23.38
2*10P	24.13	27.32	25.92
2*11P	26.67	29.86	28.46
2*12P	29.21	32.40	31.00
2*13P	31.75	34.94	33.54

## D1274WRE-2NP-9TRET

1.27mm Pitch 90° Dual Row Wafer



**Reference Informations:**

\*Material:

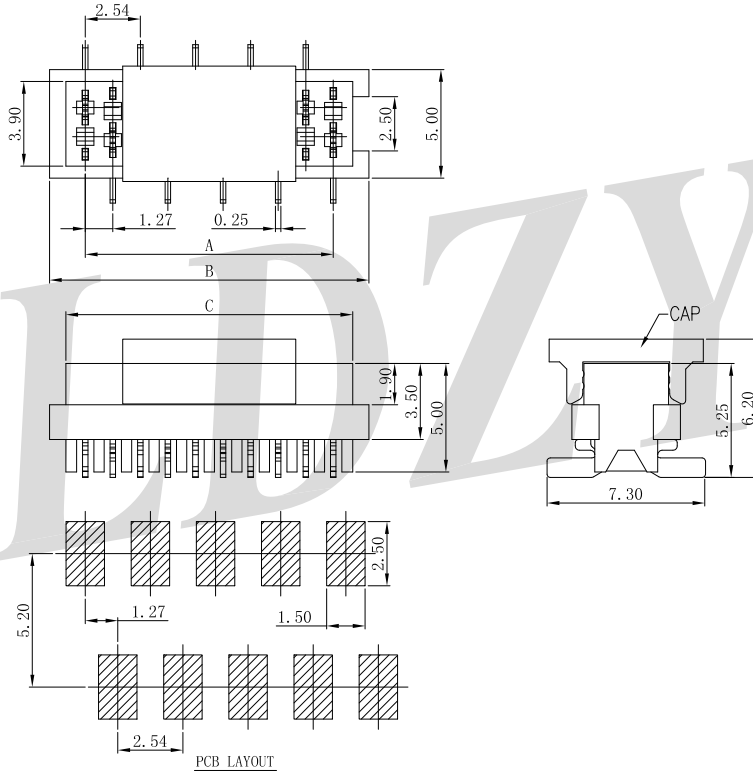
PIN: Phosphor Bronze/Tin-plated

Wafer: PA9T UL94V-0/ Red

**Ordering Information & Dimensions**

Poles	Dimensions (mm)		
	A	B	C
2*2P	9.68	3.81	5.58
2*3P	12.23	6.35	8.12
2*4P	14.77	8.89	10.66
2*5P	17.31	11.43	13.20
2*6P	19.85	13.97	15.74
2*7P	22.39	16.51	18.28
2*8P	24.93	19.05	20.82
2*9P	27.47	21.59	23.36
2*10P	30.01	24.13	25.90
2*11P	32.55	26.67	28.44
2*12P	35.09	29.21	30.98
2*13P	37.63	31.75	33.52

## D1274WVDS-2NP-9TXXH 1.27mm Pitch 180° SMT Dual Row Wafer



### Reference Informations:

\*Material:

PIN: Phosphor Bronze

Plating Method: High Temperature Tin

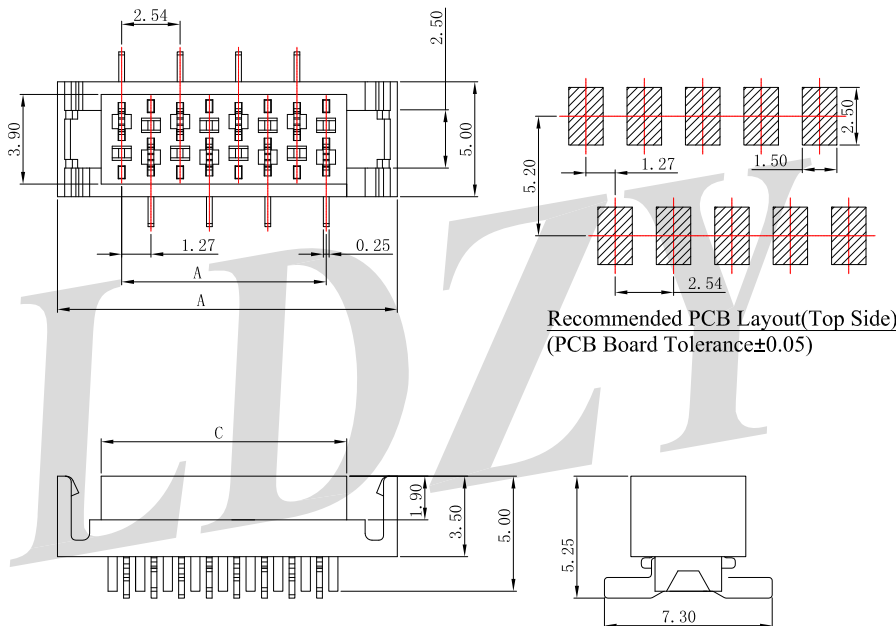
Wafer: PA9T,UL94V-0

Color:Red Or Purplish Red

### Ordering Information & Dimensions

Poles	Dimensions (mm)		
	A	B	C
2*2P	3.81	7.00	5.60
2*3P	6.35	9.54	8.14
2*4P	8.89	12.08	10.68
2*5P	11.43	14.62	13.22
2*6P	13.97	17.16	15.76
2*7P	16.51	19.70	18.30
2*8P	19.05	22.24	20.84
2*9P	21.59	24.78	23.38
2*10P	24.13	27.32	25.92
2*11P	26.67	29.86	28.46
2*12P	29.21	32.40	31.00
2*13P	31.75	34.94	33.54

## D1274WVES-2NP-9TXXH 1.27mm Pitch 180° SMT Dual Row Wafer



Recommended PCB Layout(Top Side)  
(PCB Board Tolerance±0.05)

### Reference Informations:

\*Material:

PIN: Phosphor Bronze

Plating Method: High Temperature Tin

Wafer: PA9T,UL94V-0

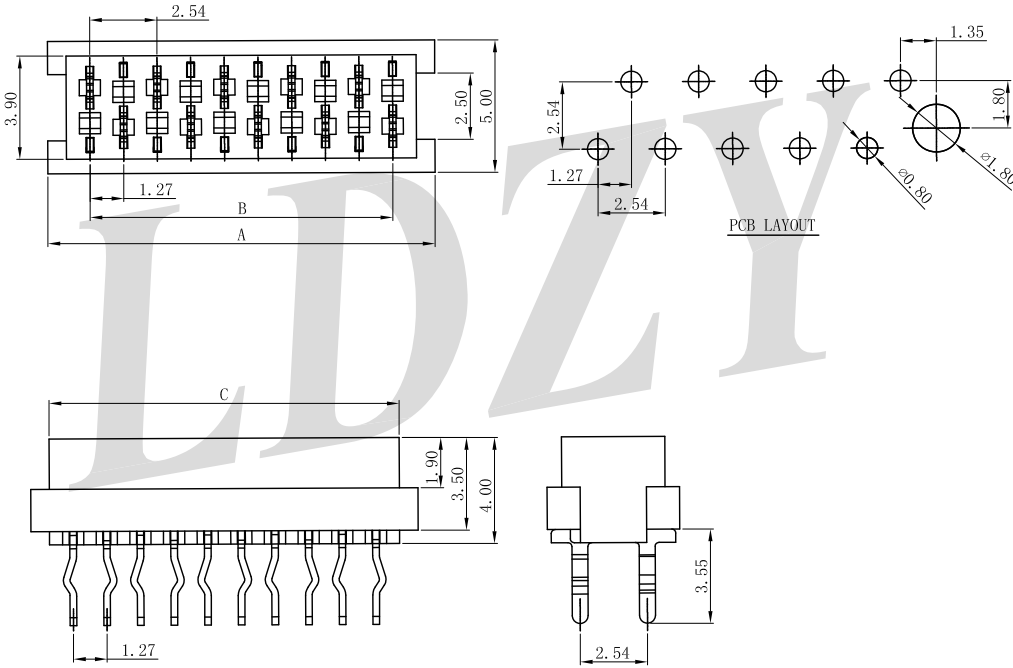
Color:Red Or Purplish Red

### Ordering Information & Dimensions

Poles	Dimensions (mm)		
	A	B	C
2*2P	3.81	9.70	5.60
2*3P	6.35	12.24	8.14
2*4P	8.89	14.78	10.68
2*5P	11.43	17.32	13.22
2*6P	13.97	19.86	15.76
2*7P	16.51	22.40	18.30
2*8P	19.05	24.94	20.84
2*9P	21.59	27.48	23.38
2*10P	24.13	30.02	25.92
2*11P	26.67	32.56	28.46
2*12P	29.21	35.10	31.00
2*13P	31.75	37.64	33.54

## D1274WVD-2NP-9TRET

1.27mm Pitch 180° Dual Row Wafer



Reference Informations:

\*Material:

PIN: Brass/Tin-plated

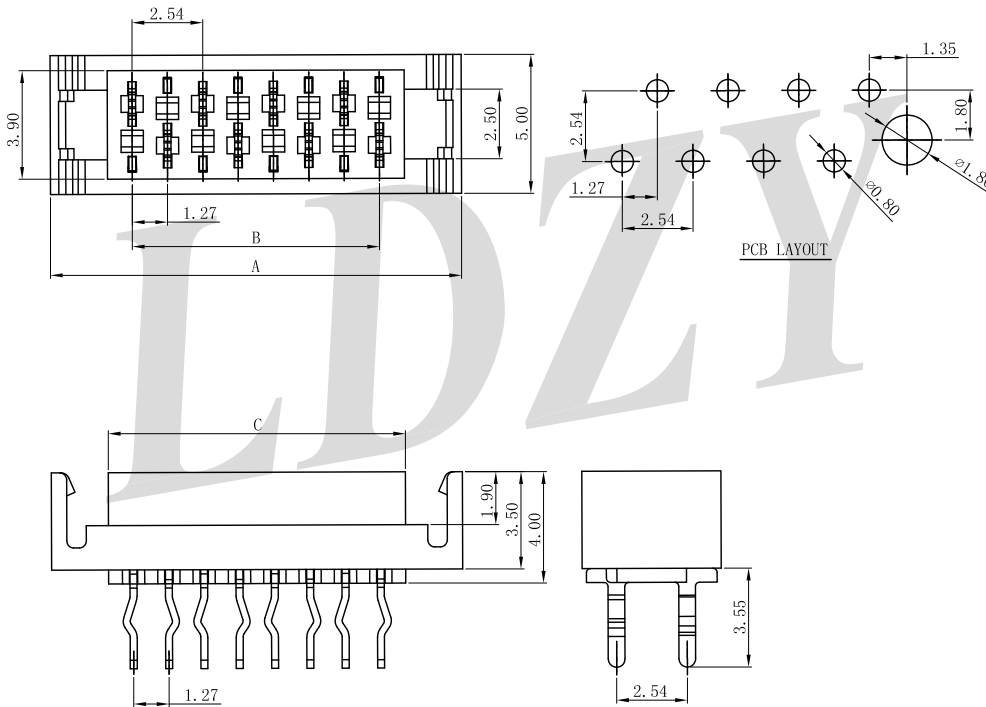
Wafer: PA9T UL94V-0/ Red

Ordering Information & Dimensions

Poles	Dimensions (mm)		
	A	B	C
2*2P	7.00	3.81	5.60
2*3P	9.54	6.35	8.14
2*4P	12.08	8.89	10.68
2*5P	14.62	11.43	13.22
2*6P	17.16	13.97	15.76
2*7P	19.70	16.51	18.30
2*8P	22.24	19.05	20.84
2*9P	24.78	21.59	23.38
2*10P	27.32	24.13	25.92
2*11P	29.86	26.67	28.46
2*12P	32.40	29.21	31.00
2*13P	34.94	31.75	33.54

## D1274WVE-2NP-9TRET

1.27mm Pitch 180° SMT Dual Row Wafer



Reference Informations:

\*Material:

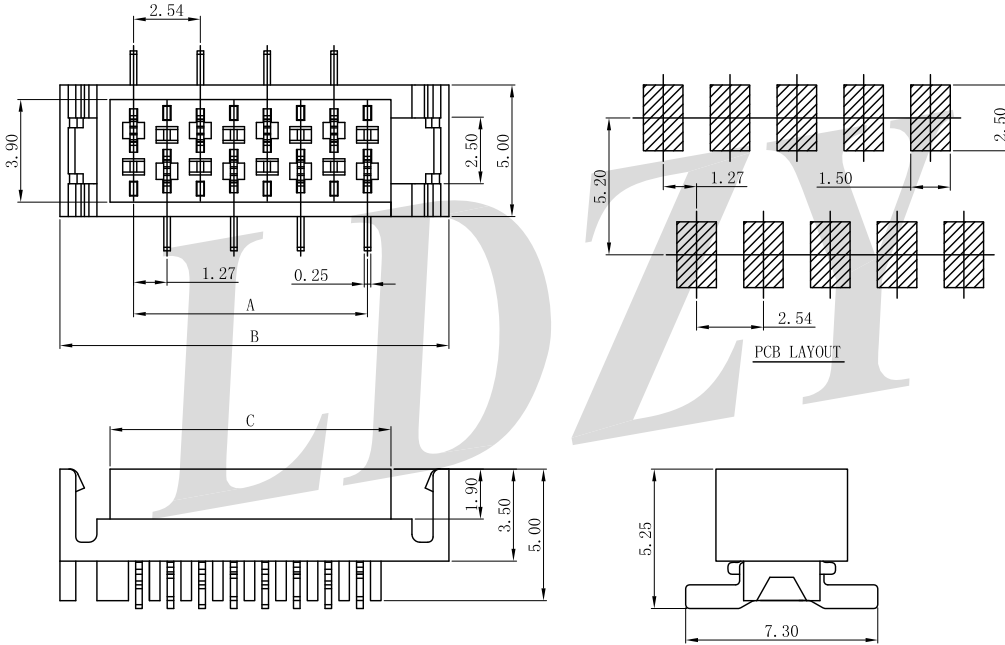
PIN: Phosphor Bronze/Tin-plated

Wafer: PA9T UL94V-0/ Red

Ordering Information & Dimensions

Poles	Dimensions (mm)		
	A	B	C
2*2P	9.68	3.81	5.58
2*3P	12.23	6.35	8.12
2*4P	14.77	8.89	10.66
2*5P	17.31	11.43	13.20
2*6P	19.85	13.97	15.74
2*7P	22.39	16.51	18.28
2*8P	24.93	19.05	20.82
2*9P	27.47	21.59	23.36
2*10P	30.01	24.13	25.90
2*11P	32.55	26.67	28.44
2*12P	35.09	29.21	30.98
2*13P	37.63	31.75	33.52

## D1274WVFS-2NP-9TPRH 1.27mm Pitch 180° SMT Dual Row Wafer



Reference Informations:

\*Material:

PIN: Phosphor Bronze

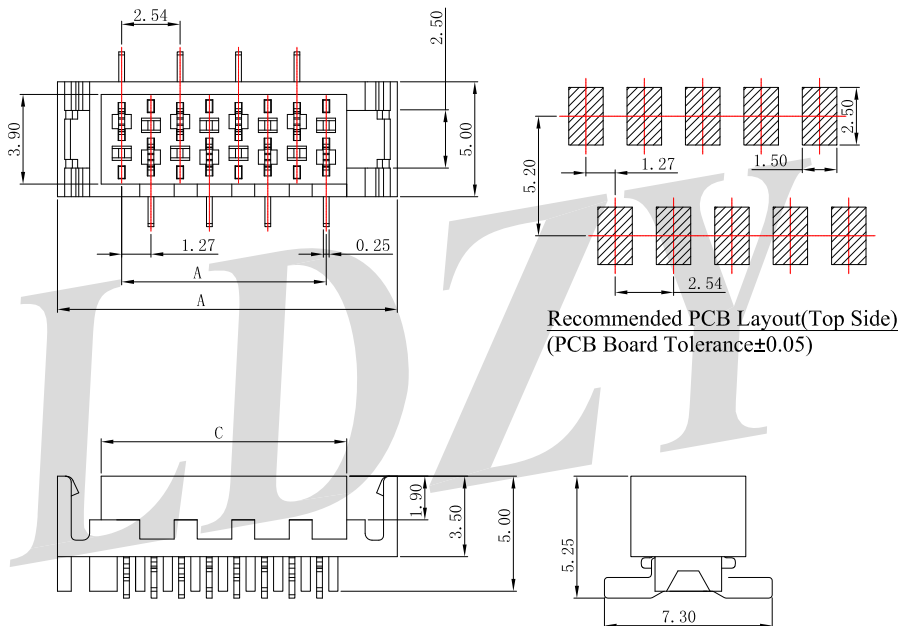
/High Temperature Tin

Wafer: PA9T UL94V-0/ Red

Ordering Information & Dimensions

Poles	Dimensions (mm)		
	A	B	C
2*2P	3.81	9.70	5.60
2*3P	6.35	12.24	8.14
2*4P	8.89	14.78	10.68
2*5P	11.43	17.32	13.22
2*6P	13.97	19.86	15.76
2*7P	16.51	22.40	18.30
2*8P	19.05	24.94	20.84
2*9P	21.59	27.48	23.38
2*10P	24.13	30.02	25.92
2*11P	26.67	32.56	28.46
2*12P	29.21	35.10	31.00
2*13P	31.75	37.64	33.54

## D1274WVES-2NP-9TRET 1.27mm Pitch 180° SMT Dual Row Wafer



Recommended PCB Layout(Top Side)  
(PCB Board Tolerance±0.05)

Reference Informations:

\*Material:

PIN: Phosphor Bronze

/High Temperature Tin

Wafer: PA9T UL94V-0/ Red

Ordering Information & Dimensions

Poles	Dimensions (mm)		
	A	B	C
2*2P	3.81	9.70	5.60
2*3P	6.35	12.24	8.14
2*4P	8.89	14.78	10.68
2*5P	11.43	17.32	13.22
2*6P	13.97	19.86	15.76
2*7P	16.51	22.40	18.30
2*8P	19.05	24.94	20.84
2*9P	21.59	27.48	23.38
2*10P	24.13	30.02	25.92
2*11P	26.67	32.56	28.46
2*12P	29.21	35.10	31.00
2*13P	31.75	37.64	33.54